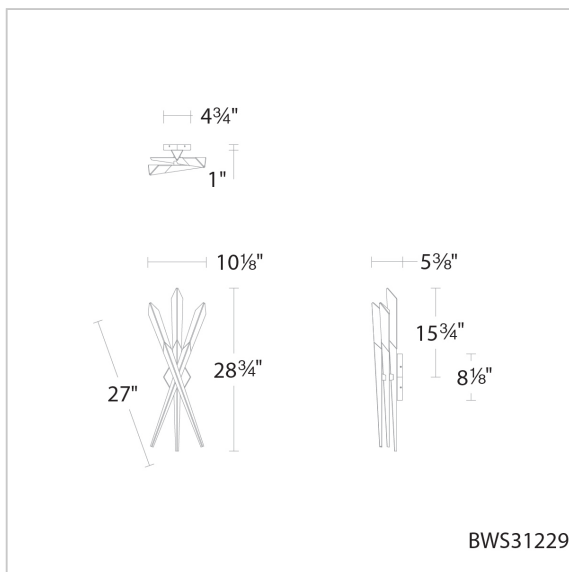


Solitude

BWS31229



LINE DRAWING



Project:

Location:

Fixture Type:

Catalog Number:

DESCRIPTION

Luxuriously crafted and beautifully designed to add dramatic character to any space, a spear of Optic Haze crystal composed of natural quartz gemstone illuminates and gravitates with bolts of luminous energy.

FEATURES

- Optic Haze™, made of natural quartz, has unique variations in luster, hue, patterning and texture inherent to this material. When illuminated, the dimension of the crystal is beautifully accented.
- Built in color temperature adjustability. Switch from 3000K/3500K/4000K. Switch may be installed in junction box.
- Driver concealed within the canopy

CRYSTAL OPTIONS



Optic Haze
Crystal
(OH)

FINISH OPTIONS



Aged Brass
(-AB)



Antique
Nickel
(-AN)

SPECIFICATIONS!

Light Source	LED
CRI	90
Dimming	ELV, Triac
Standards	ETL/cETL, Title 24

REPLACEMENT PARTS

RPL-GLA-31270 - Replacement Crystal BWS31270
RPL-GLA-31229-01 - Replacement Crystal (Center)
RPL-GLA-31229-02 - Replacement Crystal (Sides)

Model	Crystal	Finish	Size	CCT	Voltage	Wattage	Weight	LED Lumens	Delivered Lumens
BWS31229	OH	- AB - AN	29"	3000K/3500K/ 4000K	120V/277V	15W	6.5lbs	900	Up To 675

Example: BWS31229-AB

Solitude

schonbek.com
Phone (800) 836.1892 | Fax: (518) 563.4228

Headquarters/Eastern Distribution Center
61 Industrial Blvd, Plattsburgh, NY 12901