

## GF Single Lavatory Faucet

### FEATURES

- WaterSense certified low-flow 1.2 gpm (4.5 lpm) faucet
- Smooth handle control COMFORT GLIDE® technology
- Diamond-Like Carbon (DLC) coated ceramic cartridge for ultimate durability
- Brass construction
- Lever handles
- Metal pop-up drain assembly included

### COLORS/FINISHES

- #CP Polished Chrome
- #PN Polished Nickel
- #BN Brushed Nickel

### Made to Order

- #PFG Polished French Gold
- #PBR Polished Bronze
- #PBL Polished Black
- #PRG Polished Rose Gold
- #MBL Matte Black
- #XFG Brushed Rose Gold and Polished Rose Gold
- #BRG Brushed Rose Gold

### OPTIONAL ACCESSORIES

- THP3158#CP - 4" Cover Plate
- THP3159#CP - 8" Cover Plate

### PRODUCT SPECIFICATION

Product shall have a maximum flow rate of 1.2 gpm (4.5 lpm). Product shall have a brass construction. Product shall have lever handles. Product shall have a ceramic disk valve cartridges. Product shall include metal pop-up drain assembly. Product shall be TOTO Model TLG11301U#\_\_\_\_\_.



### CODES/STANDARDS

- Meets or exceeds ASME A112.18.1/CSA B125.1, NSF 61/NSF 372
- Certifications: IAPMO(cUPC), EPA WaterSense, State of Massachusetts and others
- Code Compliance: UPC, IPC, NSPC, NPC Canada, and others
- California Green Building Code, City of Los Angeles Water Efficiency Ordinance
- Complies with federal and state requirements as lead-free (weighted average of 0.25% lead or less)
- ADA compliant
- Complies with CA Prop 65 warning requirements

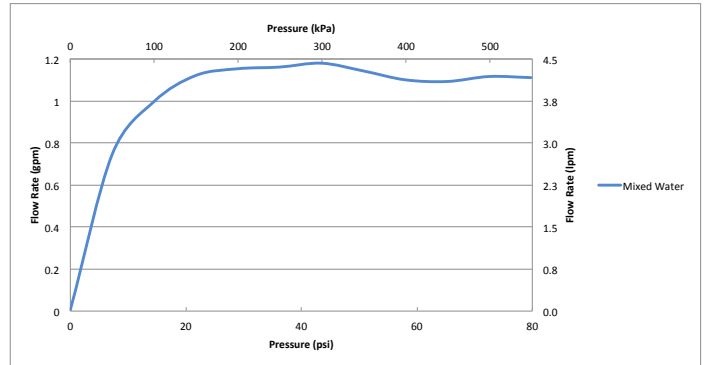


# TLG11301U

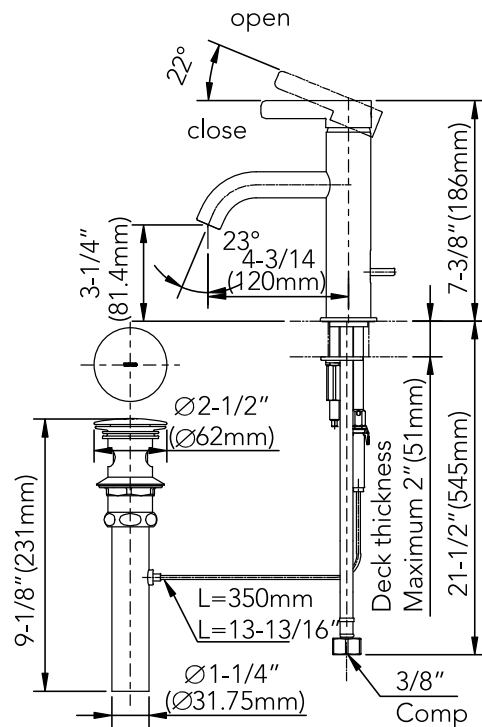
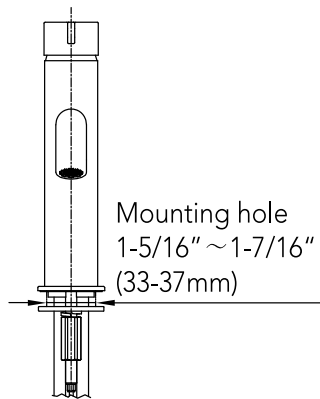
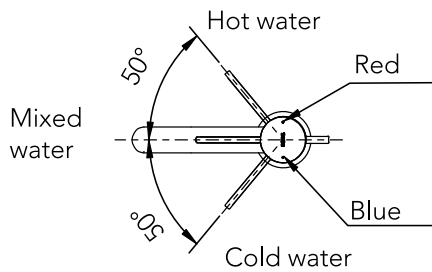
## GF Single Lavatory Faucet

### SPECIFICATIONS

<b>Material</b>	Brass
<b>Maximum Flow Rate</b>	1.2 gpm (4.5 lpm)
<b>Warranty</b>	Lifetime Limited Warranty (Residential Use) One Year (Commercial Use)



### DIMENSIONS



NOTE: The above dimensional unit is inch.  
The dimension in ( ) is reference mm.