

VIGO INDUSTRIES INSTALLATION GUIDE FOR SHOWER ENCLOSURE (MODEL VG06052)

SAFETY PRECAUTIONS

This Installation Guide uses the following symbols to indicate important information. Always observe the instructions indicated by these symbols.

WARNING

Instructions that, if ignored, could result in death or serious personal injury caused by incorrect handling or installation of the product. These instructions must be observed for safe installation.

CAUTION

The instructions for the following unit is based off of the Vigo brand shower base. The instructions can not be provided for any other installation other than that of the Vigo brand. The warranty will be voided if the following was not performed properly.

IMPORTANT

Maintenance and other important non-personal injury and non-material damage instructions or statements that should be observed.

It is highly advised to dry fit the unit prior to any installation.

*VIGO reserves the right to modify/update all hardware and glass components based on bettering the product for the end user's experience. If you have any questions contact VIGO Tech Support at 1-866-591-7792.

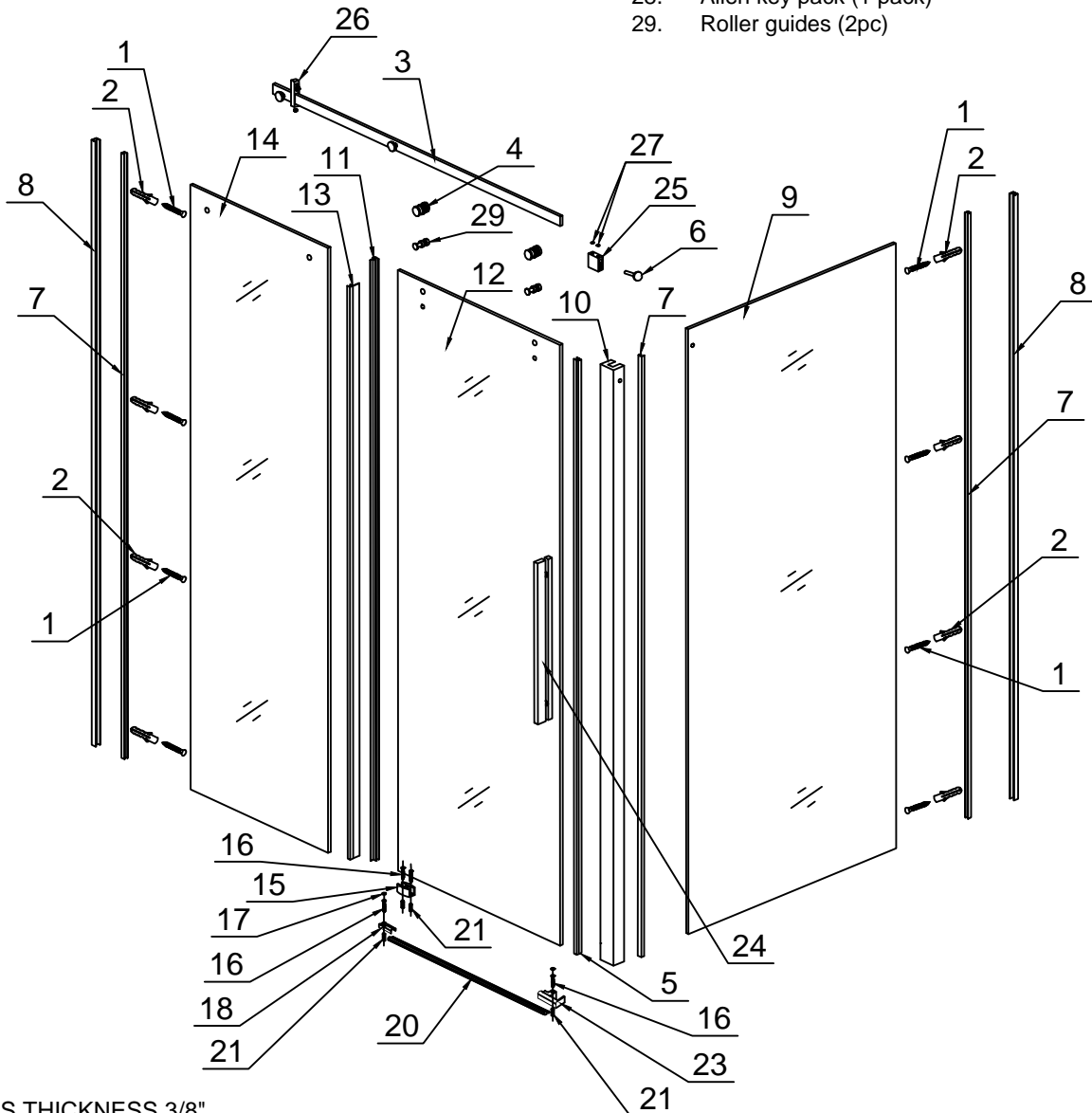
MODEL VG06052 ALAMEDA

INSTALLATION INSTRUCTIONS FOR SHOWER ENCLOSURE

PLEASE READ INSTRUCTIONS BEFORE PROCEEDING


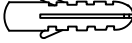
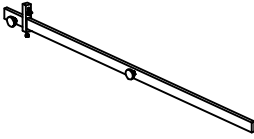
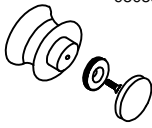

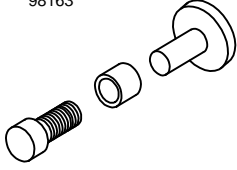






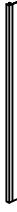

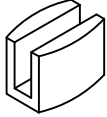

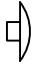
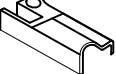
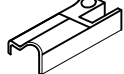
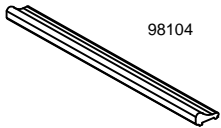
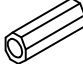
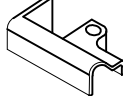
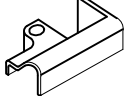

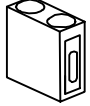


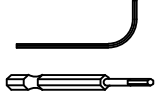

Parts List

- | | |
|---|-------------------------------------|
| 1. Hex screws 1 5/8" (8pc) | 14. Front fixed panel (1pc) |
| 2. Plastic anchors white (8pc) | 15. Bottom door guide (1pc) |
| 3. Structural rail (1pc) | 16. Phillips screws 1 1/8"(4pc) |
| 4. Rollers (2pc) | 17. 8mm plastic cover (4pc) |
| 5. Magnetic seal strip (1pc) | 18. Left threshold clip (1pc) |
| 6. Structural rail screw cover (1pc) | 19. Right threshold clip (1pc) |
| 7. Hard seal strip (3pc) | 20. Threshold (1pc) |
| 8. Vertical rail (2pc) | 21. Plastic anchors green (4pc) |
| 9. Side glass panel (1pc) | 22. 90° Left threshold clip (1pc) |
| 10. Corner vertical rail (1pc) | 23. 90° Right threshold clip (1pc) |
| 11. Door seal strip with flange (1pc + 1 extra) | 24. Handle (1pc) |
| 12. Door panel (1pc) | 25. Structural rail connector (1pc) |
| 13. Side seal strip with flange (1pc) | 26. Door stopper (1pc) |
| | 27. 4mm plastic cover (2pc) |
| | 28. Allen key pack (1 pack) |
| | 29. Roller guides (2pc) |



GLASS THICKNESS 3/8"

NOTE: INSTALLATION MUST BE DONE BY A QUALIFIED, LICENSED PROFESSIONAL.

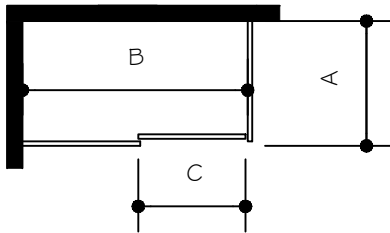
<p>1. HEX SCREW 1 5/8"</p> <p>98039</p> 	<p>2. PLASTIC ANCHOR WHITE</p> <p>98038</p> 	<p>3. STRUCTURAL RAIL</p> <p>98156</p> 	<p>4. ROLLERS</p> <p>98089</p> 	<p>5. MAGNETIC SEAL STRIP</p> <p>96047</p> 
<p>6. STRUCTURAL RAIL SCREW COVER</p> <p>98163</p> 	<p>7. HARD SEAL STRIP</p> <p>96014</p> 	<p>8. VERTICAL RAIL</p> <p>98157</p> 	<p>9. SIDE GLASS PANEL</p> <p>97052CL</p> 	<p>10. CORNER VERTICAL RAIL</p> <p>98158</p> 
<p>11. DOOR SEAL STRIP WITH FLANGE</p> <p>96049</p> 	<p>12. DOOR PANEL</p> <p>97053CL</p> 	<p>13. SIDE SEAL STRIP WITH FLANGE</p> <p>96048</p> 	<p>14. FRONT FIXED PANEL</p> <p>97054CL</p> 	<p>15. BOTTOM DOOR GUIDE</p> <p>98029</p> 
<p>16. PHILLIPS SCREW 1 1/8"</p> <p>98035</p> 	<p>17. 8mm PLASTIC COVER</p> <p>98111</p> 	<p>18. LEFT THRESHOLD CLIP</p> <p>98058</p> 	<p>19. RIGHT THRESHOLD CLIP</p> <p>98057</p> 	<p>20. THRESHOLD</p> <p>98104</p> 
<p>21. PLASTIC ANCHOR GREEN</p> <p>98037</p> 	<p>22. 90° LEFT THRESHOLD CLIP</p> <p>98159</p> 	<p>23. 90° RIGHT THRESHOLD CLIP</p> <p>980160</p> 	<p>24. HANDLE</p> <p>98162</p> 	<p>25. STRUCTURAL RAIL CONNECTOR</p> <p>98087</p> 
<p>26. DOOR STOPPER</p> <p>98161</p> 	<p>27. 4mm PLASTIC COVER</p> <p>96040</p> 	<p>28. ALLEN KEY PACK</p> <p>MISC</p> 	<p>29. ROLLER GUIDES</p> <p>98172</p> 	

* - WITH HARDWARE AND WITHOUT SHOWER BASE (FULLY INSTALLED)

MODEL	DIM. "A"	DIM. "B"	DIM. "C"	HEIGHT	#14- FRONT FIXED PANEL (97054CL)	#9 SIDE GLASS PANEL (97052CL)	#12 DOOR PANEL (97053CL)	DOOR OPENING WIDTH
VG6052XXCL3248	32"	48"	26"	74"	22" x 74"	31 1/2" x 74"	26" x 73 1/2"	19 11/16"

A, B & C DIMENSIONS WERE MEASURED AFTER SHOWER ENCLOSURE WAS COMPLETELY INSTALLED

⊘ Product lines may change, contact your Vigo representative at 1-866-591-7792 or visit our website at www.vigoindustries.com for the most up to date product line information.



DIMENSIONS 'A' AND 'B' INCLUDE GLASS, SEAL STRIPS AND HARDWARE

⚠ WARNING

VIGO STRONGLY RECOMMENDS THIS INSTALLATION BE COMPLETED BY A LICENSED PROFESSIONAL. INSTALLATION OF SHOWER ENCLOSURE REQUIRES AT LEAST TWO PEOPLE.

INSTALLATION OF THE SHOWER ENCLOSURE BY AN INEXPERIENCED PERSON MAY RESULT IN GLASS BREAKAGE AND CONSEQUENTLY, CAUSE PERSONAL INJURY OR DEATH.

- Handle fragile items with care to prevent personal injury or material damage.
- The glass panels are tempered and cannot be cut. Never attempt to do so.
- Always rest glass on a level surface

BEFORE STARTING

Compare items on your invoice with what you have received. Carefully review the Parts List on page 2. If any items are missing, please call Vigo Industries at 1-866-591-7792. Please check our website at www.vigoindustries.com for additional information or instructional videos.

REQUIRED TOOLS:

- Square and/or Phillips #1 and #2 screwdriver
- Flat head screwdriver
- Electric drill plus 1/8", 3/16", or 3/32" drill bit (depending on wall)
- Level
- Measuring tape
- Pencil (non-permanent)
- Clear silicone caulking
- Utility knife

⊘ IMPORTANT

- Fiberglass, acrylic or sheetrock construction might not be sufficiently strong enough to support the shower enclosure. You should use the wood framing from behind the face edge of the stall to provide a secure mounting to the door. Apply a bead of silicone between the walls and base of the stall.
- For optimum performance, you should install the shower enclosure perfectly level on a level surface. By not leveling the unit during construction the unit may leak causing possible water damage.

BEFORE INSTALLATION: If needed, remove the plastic layer of the base border. Do not remove the plastic layer off the plastic platform of the base. Wall and base joints must be siliconed properly.

PLEASE NOTE:

THE CLEAR GLASS MODEL HAS A REVERSIBLE DOOR AND CAN BE INSTALLED TO THE RIGHT OR LEFT SIDE. (SEE CONFIGURATION DIAGRAM BELOW)

See suggestion of configuration below.

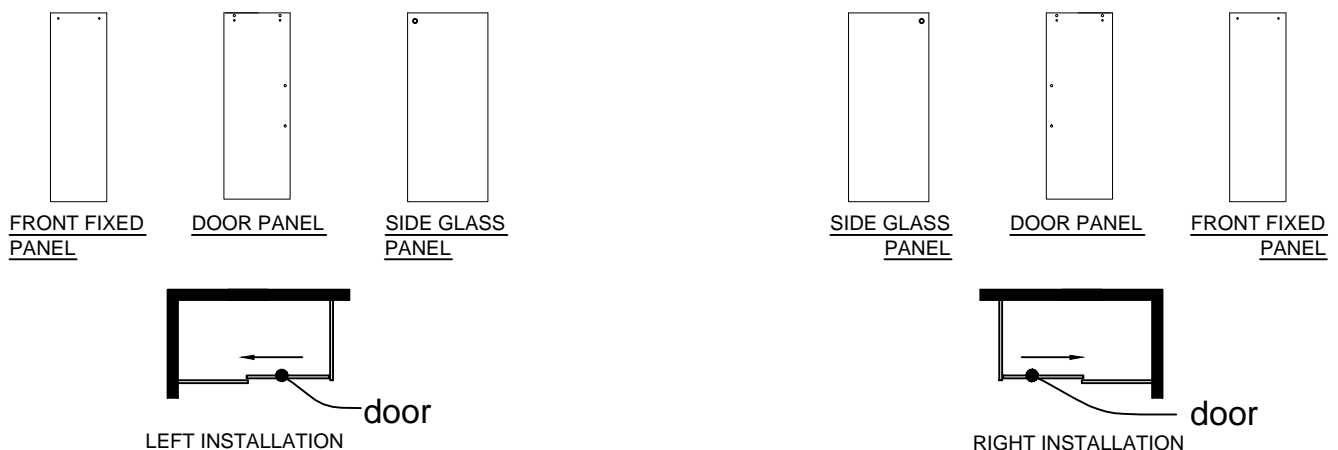


FIG. 1A (GLASS CONFIGURATION DIAGRAM)

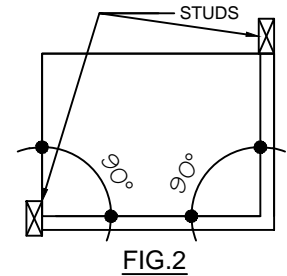
MODEL VG06052

⊘ IMPORTANT

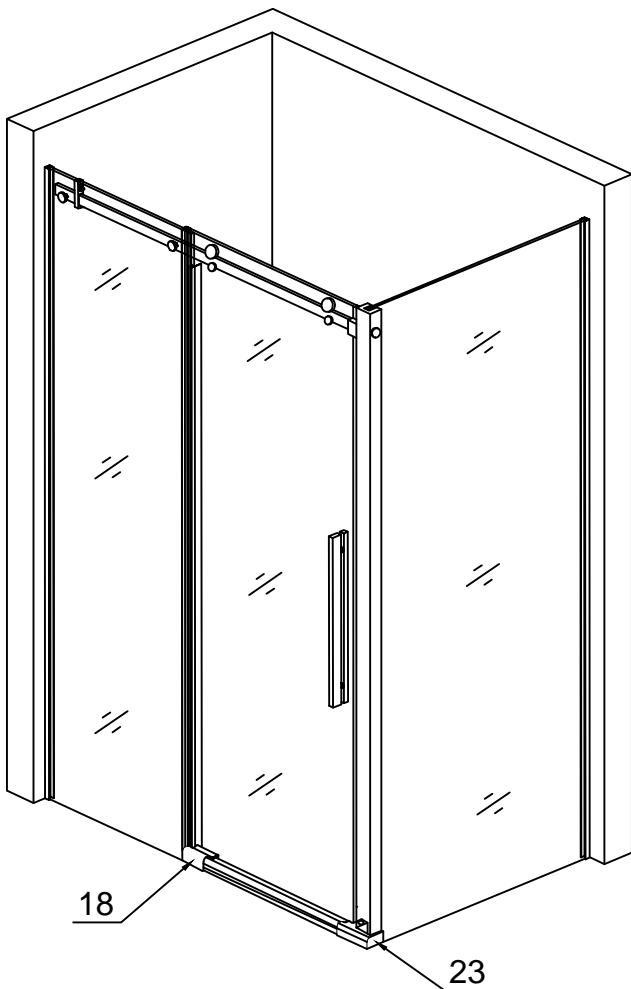
Verify that the overall size of the shower door opening is appropriate for the shower enclosure. Because of the hole locations on the structural rail, do not cut the structural rail.

Due to individual site variations, exact guidelines for every situation cannot be supplied. The recommended framing and dimensional requirements are shown for a typical application and may vary depending on the site requirements.

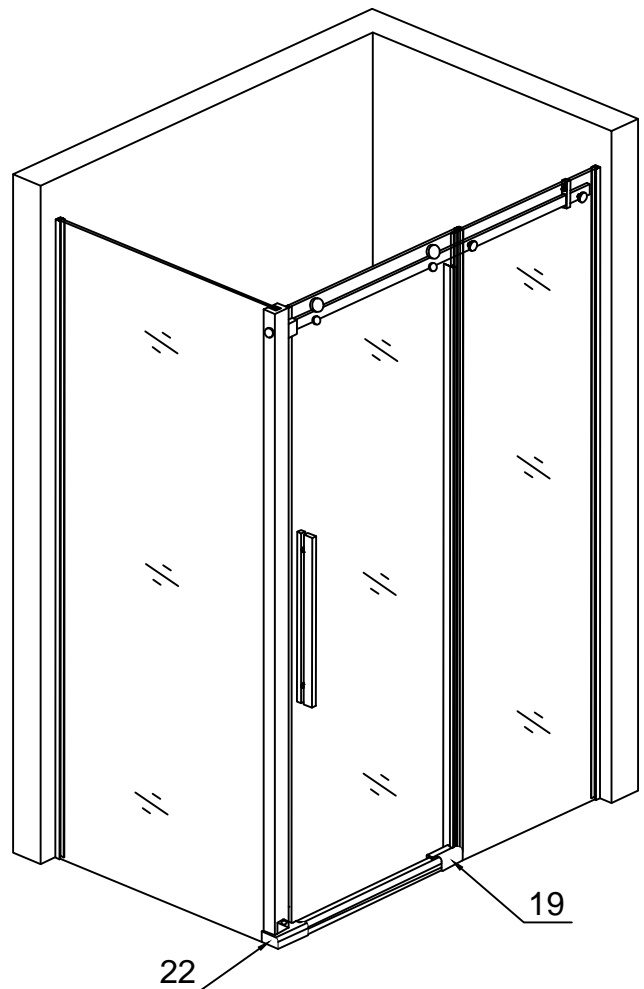
To prevent damage to the finish, you should protect the shower cabin bottom with a cardboard protector before beginning the installation.



Ensure that there is sufficient structural support behind the shower wall to hold the weight of the shower door. If there is insufficient enough support, then reinforce the shower walls with wooden studs prior to shower door installation. [SEE FIG.2]



LEFT DOOR INSTALLATION



RIGHT DOOR INSTALLATION

INSTALLATION STEPS

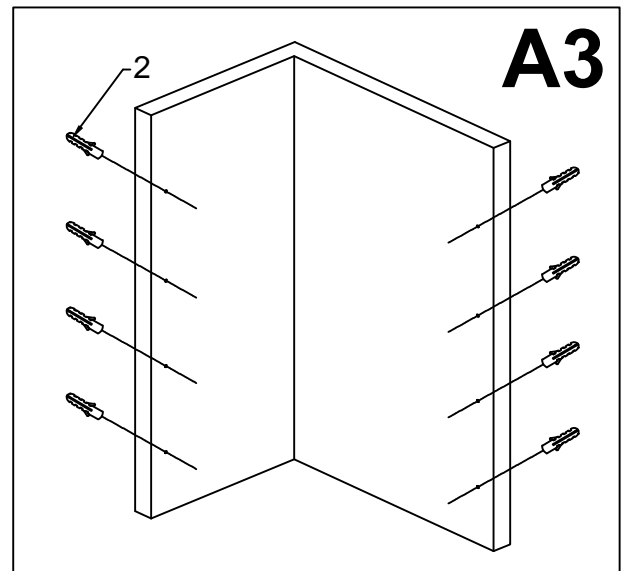
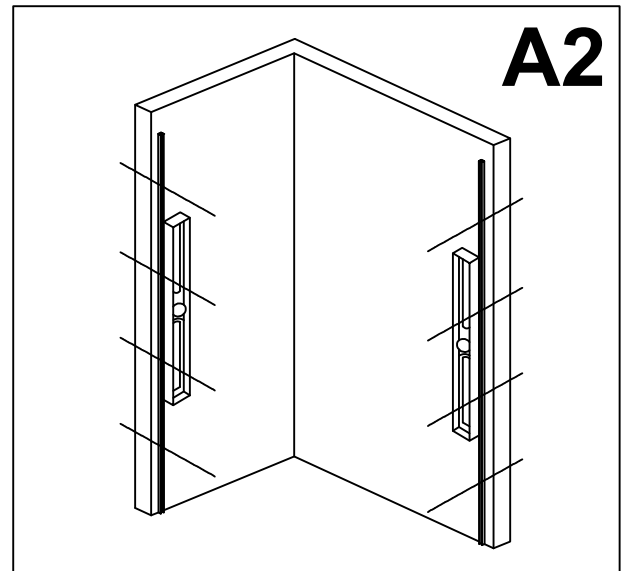
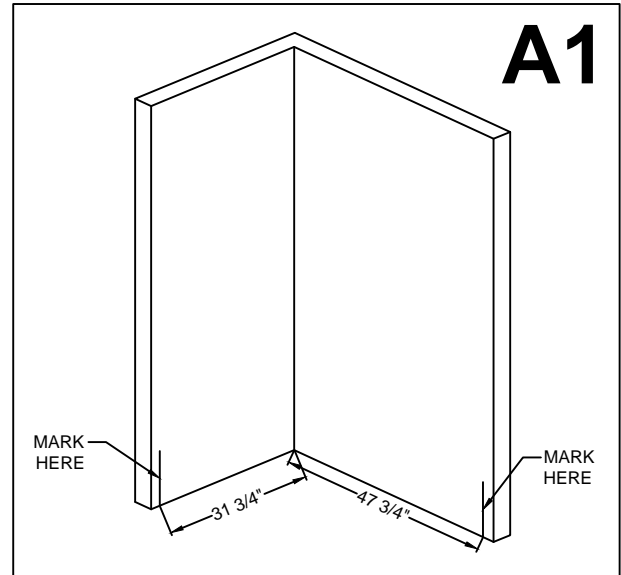
***NOTE:** The measurements of 47 3/4" and 31 3/4" should just be used as a guide. Your actual dimensions may vary. It is imperative to always do a dry fit first.

A. INSTALLING THE VERTICAL RAILS

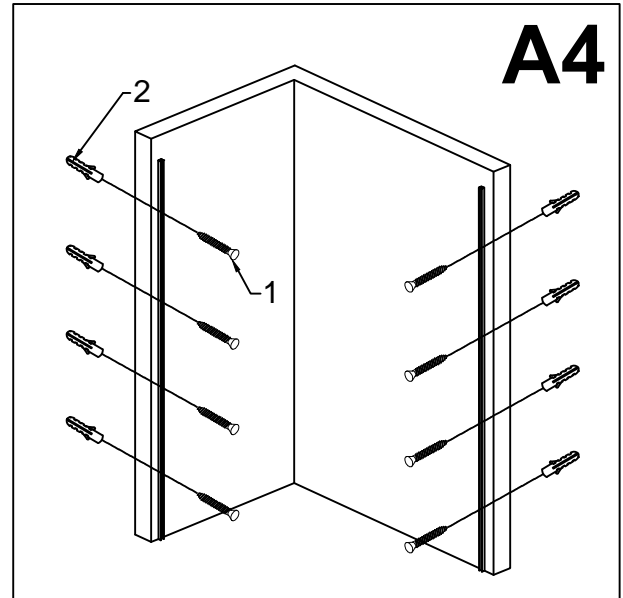
1. Arrange to the preferred configuration (see diagram on pg.5). This install is for a left door installation. Measure *31 3/4" from the corner along the side wall and mark this location. This will be the center of the first vertical rail (#8) for the front fixed panel (#14). Next measure *47 3/4" from the corner along the back wall and mark this location. This will be the center of the second vertical rail (#8) for the side glass panel (#9).

2. Center the vertical rails (#8) against the walls where you've marked, making sure the bottom rests on the floor or base. Use a level to be sure the rail is straight. Mark holes on the wall for the 4 mounting screws.

3. Remove the vertical rails (#8) and drill holes. Place white plastic anchors (#2) inside them.

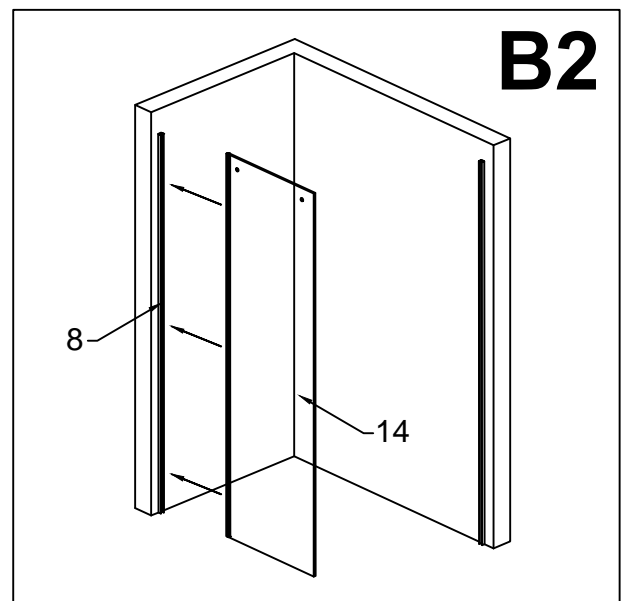
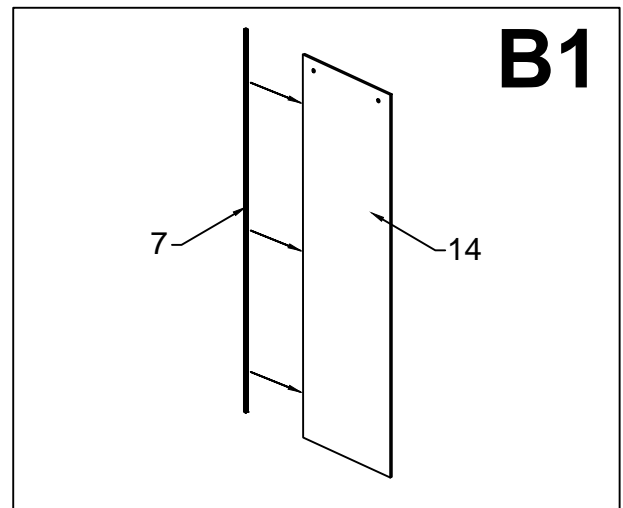


4. Replace the vertical rails (#8) and screw them into the white plastic anchors (#2) with the hex screws (#1). **⚠ Preferred method of installation negates anchors and has the installation going right into the studs.**

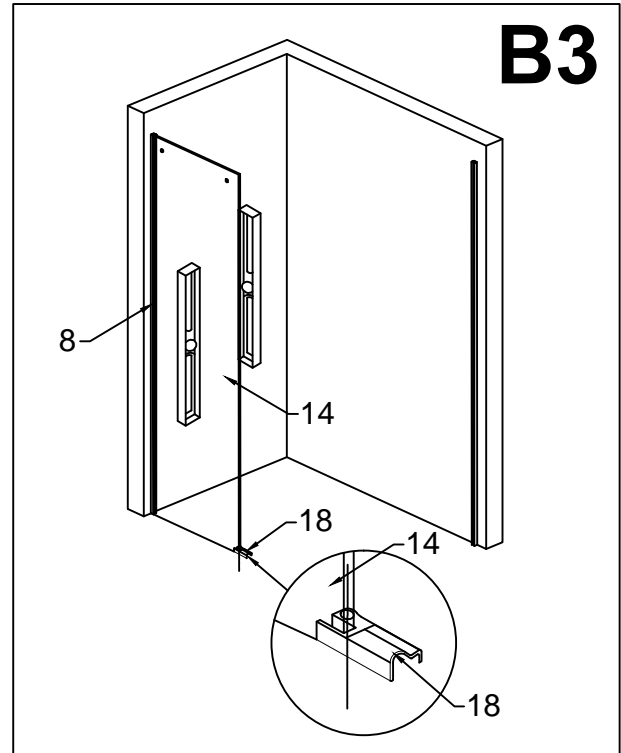


B. INSTALLING THE FRONT FIXED PANEL

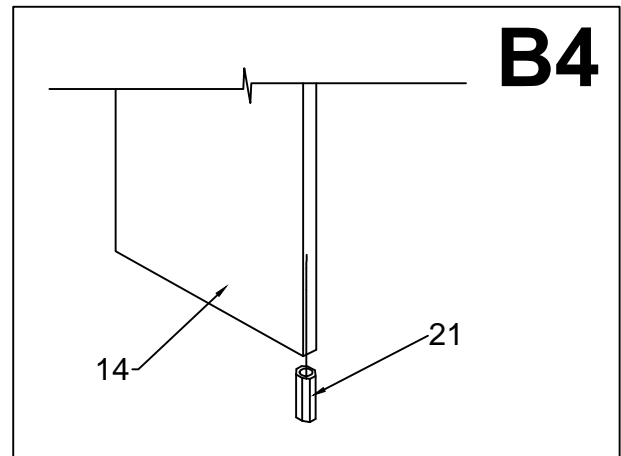
1. Attach the hard seal strip (#7) to the front fixed panel (#14). Start at the bottom and work your way up, using the heel of your hand to firmly press the seal strip onto the glass.
2. Position the front fixed panel (#14) completely into the vertical rail (#8).



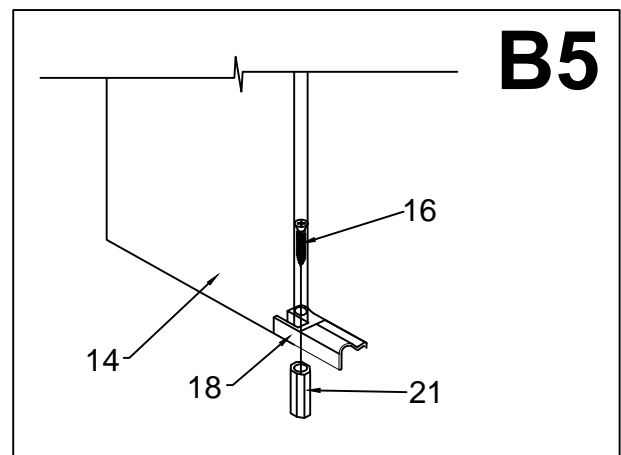
3. Make sure the front fixed panel (#14) is level and place the left threshold clip (#18) at the bottom of the panel. Mark the location for the mounting hole.



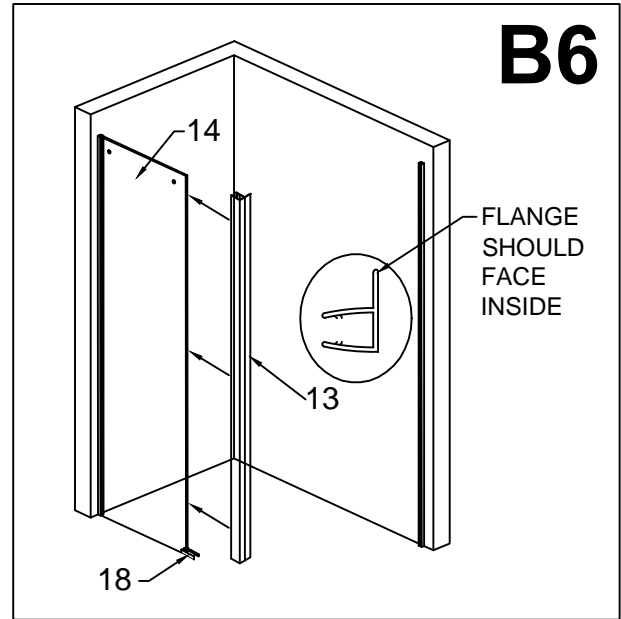
4. Remove the left threshold clip (#18). Move the front fixed panel (#14) out of the way and drill a hole into the respective mark then put a green plastic anchor (#21) in it.
⚠ Not necessary if installing into studs. Studs are the preferred means of installation, anchors can pull out of the wall causing property damage and bodily harm.



5. Replace the left threshold (#18) and front fixed panel (#14) to the proper position. Screw it into the floor with a 1 1/8" phillips screw (#16).

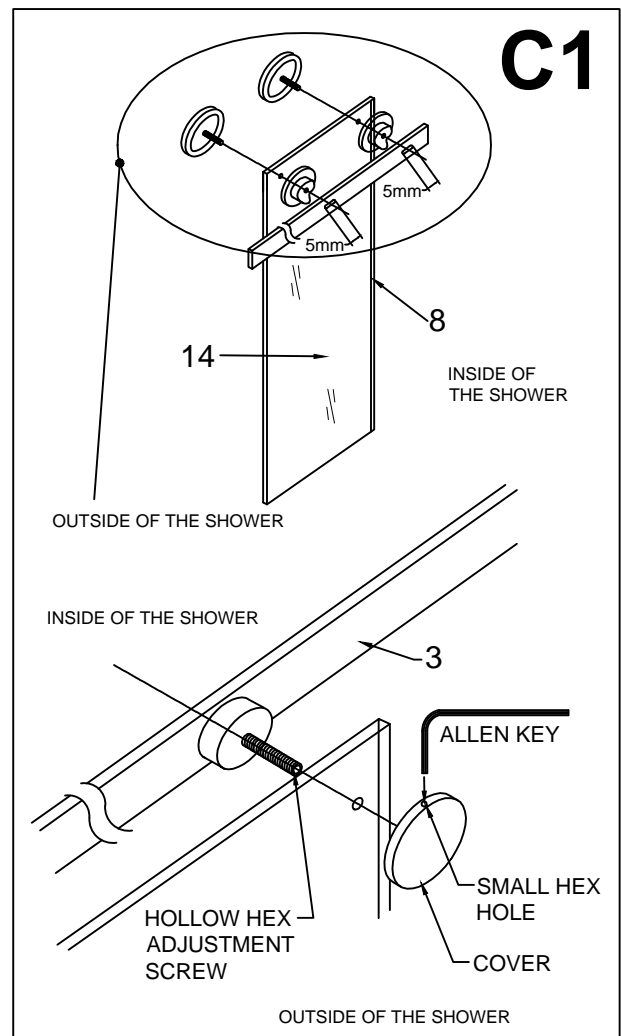


6. Clean the front fixed panel (#14) where the side seal strip with flange (#13) is to be installed with rubbing alcohol. Install the side seal strip with flange (#13) to the front fixed panel (#14). The flange should face towards the inside of the shower cabin and the bottom should rest on the left threshold clip (#18).

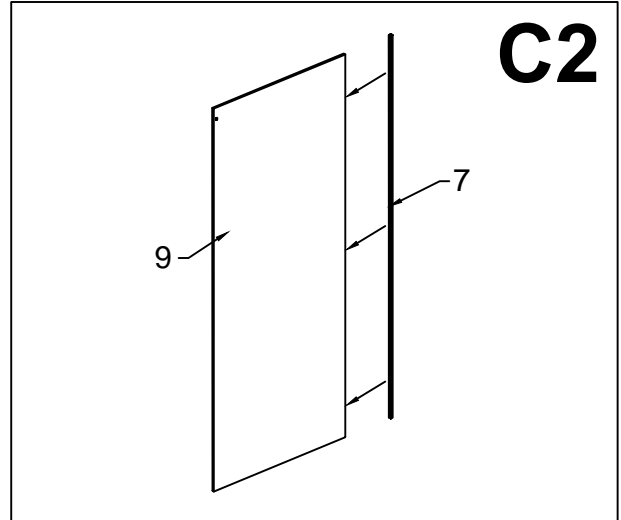


C. INSTALLING THE STRUCTURAL RAIL/SIDE GLASS PANEL

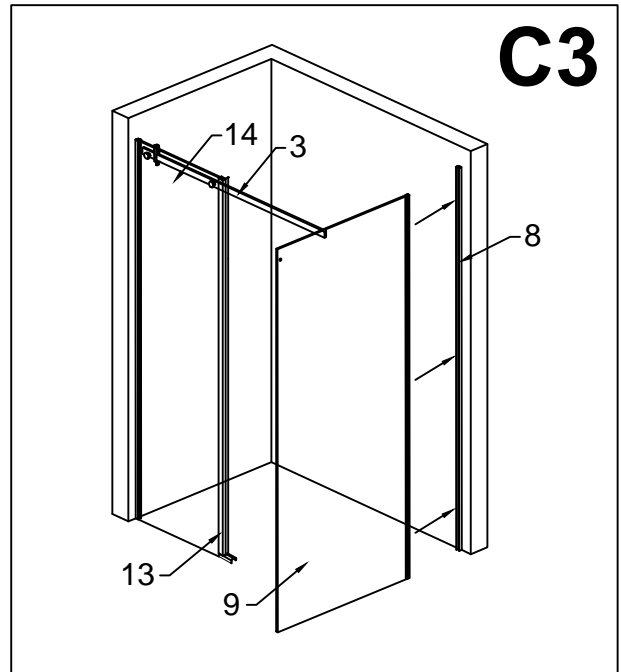
1. Remove the fixed panel holder covers. Place the fixed panel holders through the holes in the front fixed panel (#14), replace the covers and tighten. **Note: There is a 5mm horizontal adjustment in the structural rail.** If adjustments are needed, remove the fixed panel holder cover to expose the hollow hex screw. Using an allen key, make your adjustments. **Note: The door stopper (#26) should already be on the structural rail (#3). If it is not, place it on now while the fixed panel holders are disassembled.**



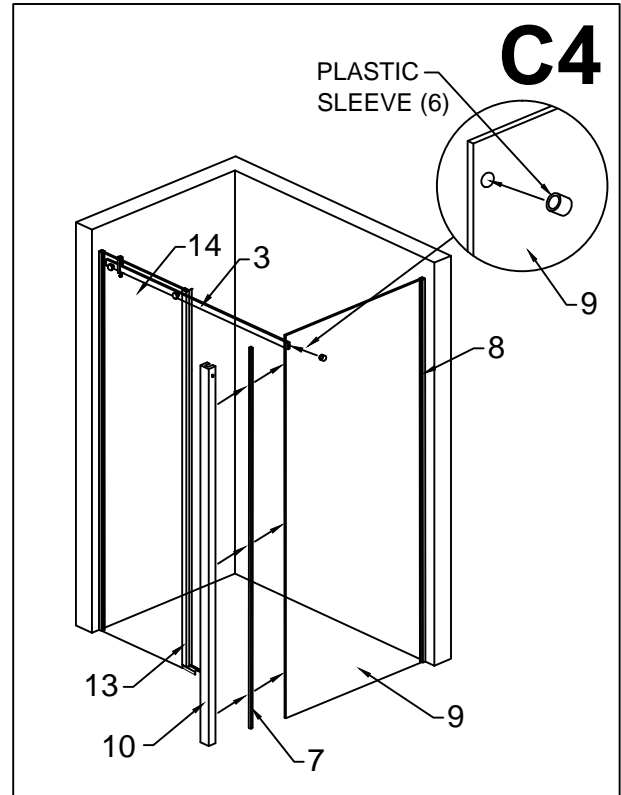
2. Attach the hard seal strip (#7) to the side glass panel (#9). Start at the bottom and work your way up, using the heel of your hand to firmly press the seal strip onto the glass.



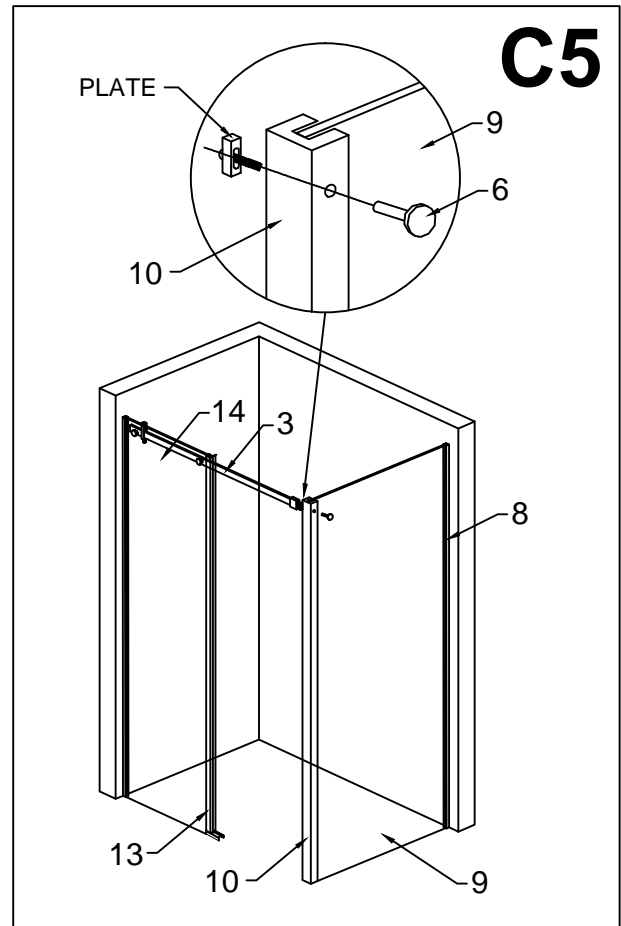
3. Position the side glass panel (#9) completely into the vertical rail (#8).



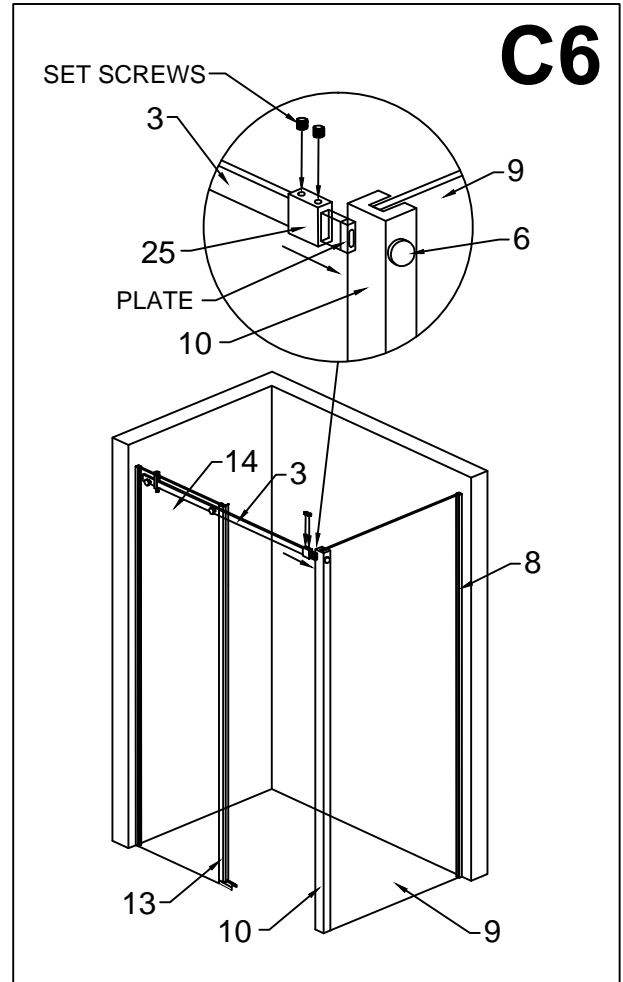
4. Attach the hard seal strip (#7) to the other side of the side glass panel (#9). Start at the bottom and work your way up, using the heel of your hand to firmly press the seal strip onto the glass. Place the plastic sleeve from the structural rail screw cover (#6) into the hole on the side glass panel then place the corner vertical rail (#10) over the hard seal strip (#7).
⚠ The plastic sleeve must be placed in the hole of the side glass panel before the corner vertical rail (#10) is installed. You will not be able to place it in after which may cause damage.



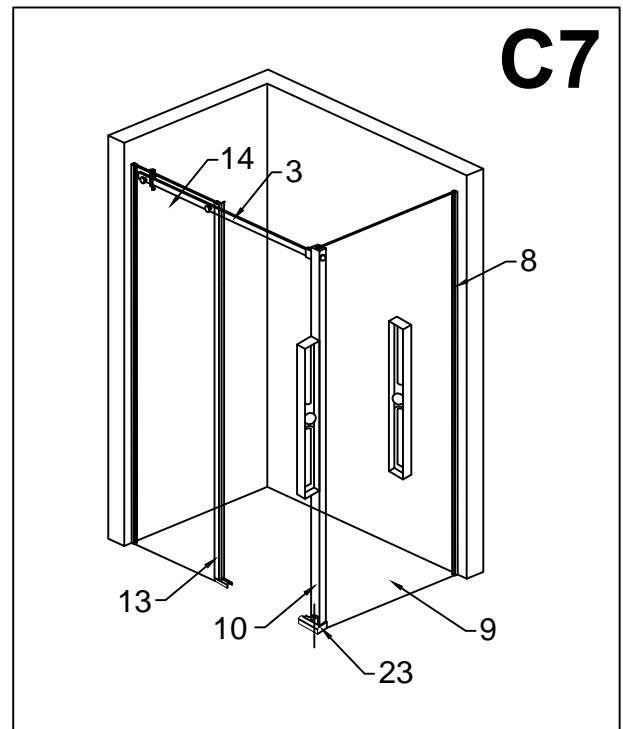
5. Screw the plate from the structural rail connector (#25) to the structural rail screw cover (#6) through the corner vertical rail (#10).



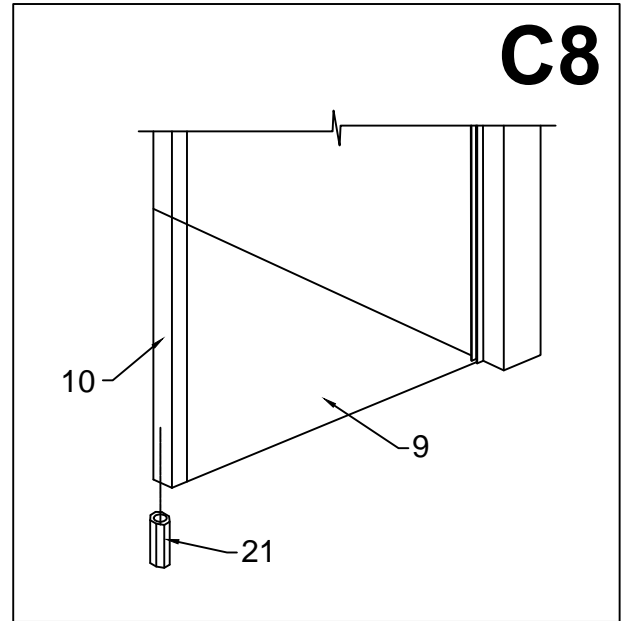
- Slide the structural rail connector (#25) over the plate and tighten with the set screws from the top.



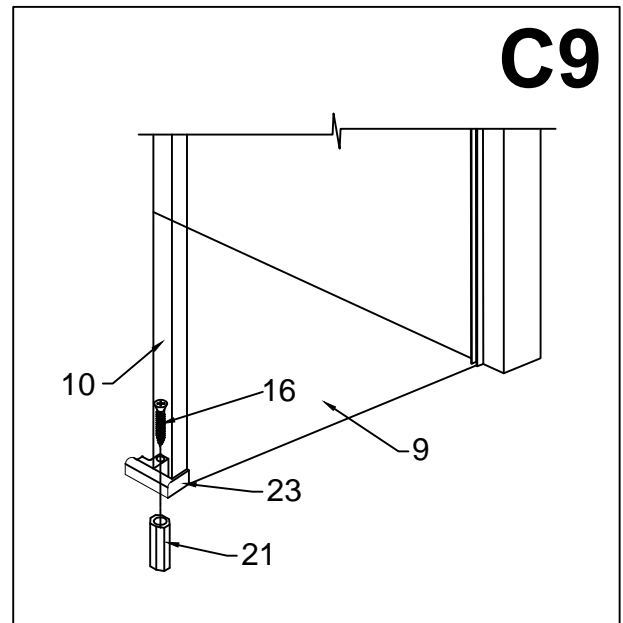
- Make sure the side glass panel (#9) is level and place the 90° right threshold clip (#23) at the bottom of the corner vertical rail (#10). Mark the location for the mounting hole.



8. Remove the 90° right threshold clip (#23). Move the side glass panel (#9) out of the way and drill a hole into the respective mark then put a green plastic anchor (#21) in it. **⚠ Not necessary if installing into studs. Studs are the preferred means of installation, anchors can pull out of the wall causing property damage and bodily harm.**

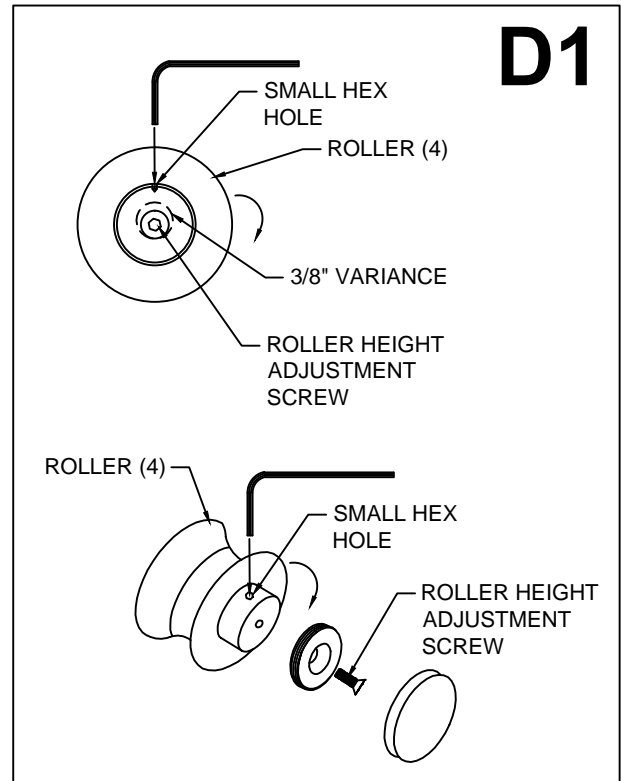


9. Replace the 90° right threshold clip (#23) and side glass panel (#9) to the proper position. Screw it into the floor with a 1 1/8" phillips screw (#16).

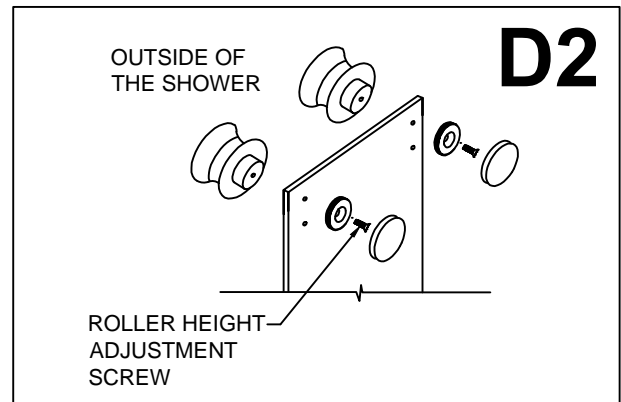


D. INSTALLING THE DOOR

1. Remove the rollers (#4) from the box, note that these are fully installed. Carefully unthread the cap with a small head allen key. You will see a big hex screw, this is referred to as the roller height adjustment screw.

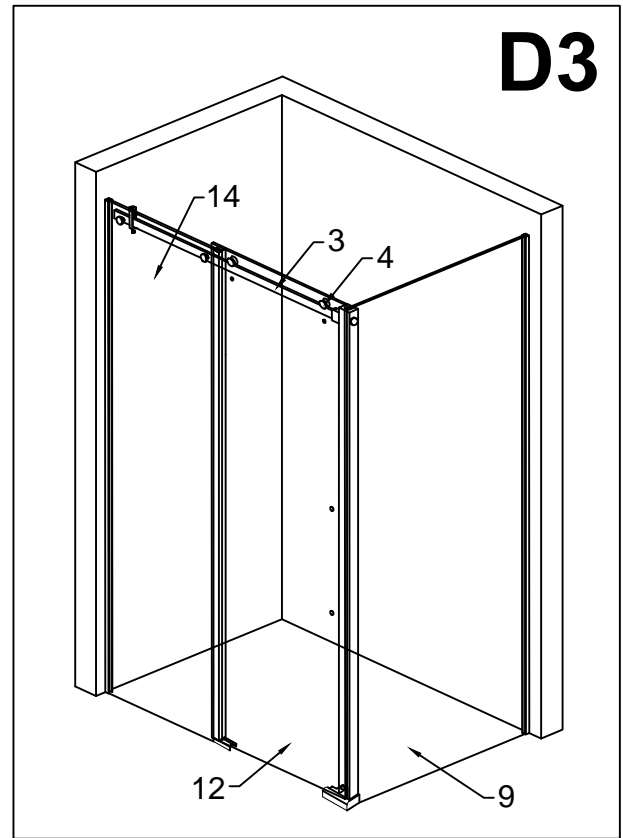


2. Use the provided allen key to unscrew the adjustment screw and dismantle the roller. Place the screw through door panel top holes and attach the two top rollers onto the door panel (#12).

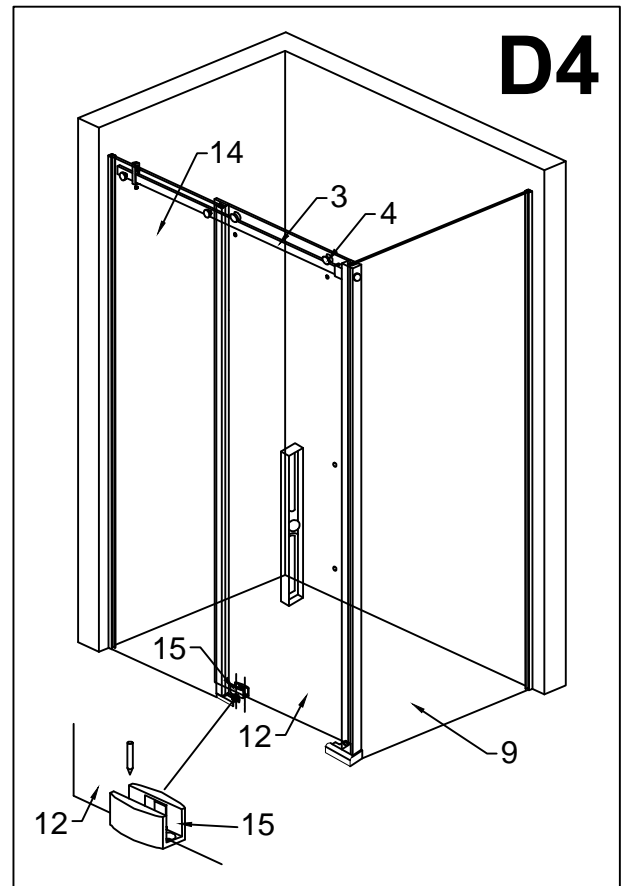


3. Place the two top rollers and the door panel (#12) assembly onto the structural rail (#3).

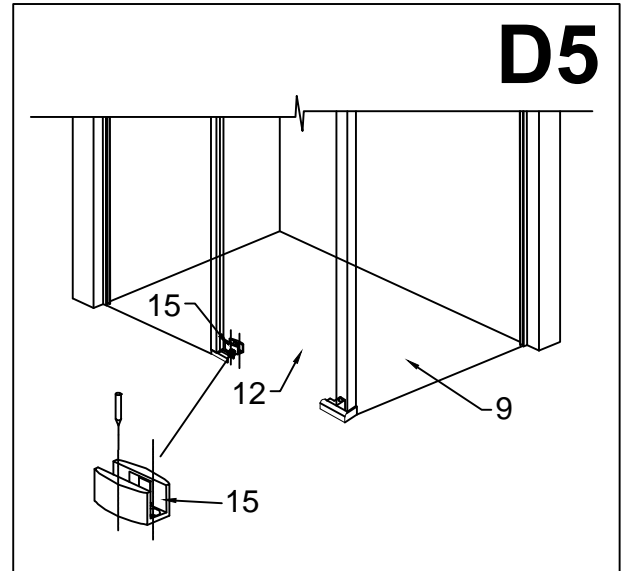
Note that the rollers have a built-in mechanism that will provide adjustment for walls that are not 100% perpendicular to the floor. If necessary, loosen the adjustment screw and rotate the individual roller. This will raise or lower the height that the roller sits on the structural rail. **Please refer to pages 23-24 for *Roller Adjustments to Accommodate Out of Square Openings*.** Once the rollers are properly adjusted and the door sits flush against the wall in the closed position, the adjustment will be complete. Fully tighten the adjustment screws and re-install the roller caps.



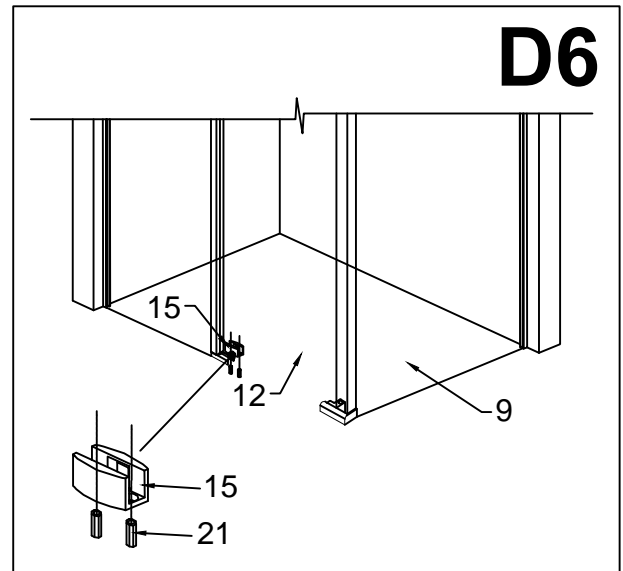
4. Align the bottom door guide (#15) onto the door. Use a level to make sure the door is straight. Mark the location of the bottom door guide on the floor.



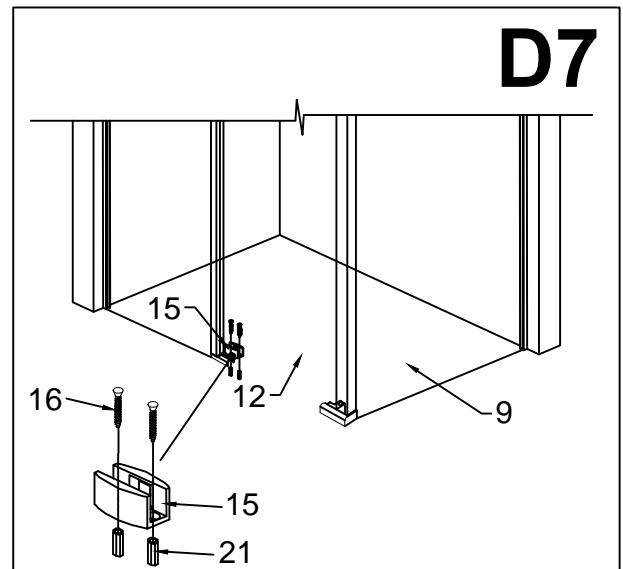
- Remove the door from the structural rail. Mark holes on the floor for the mounting screws.



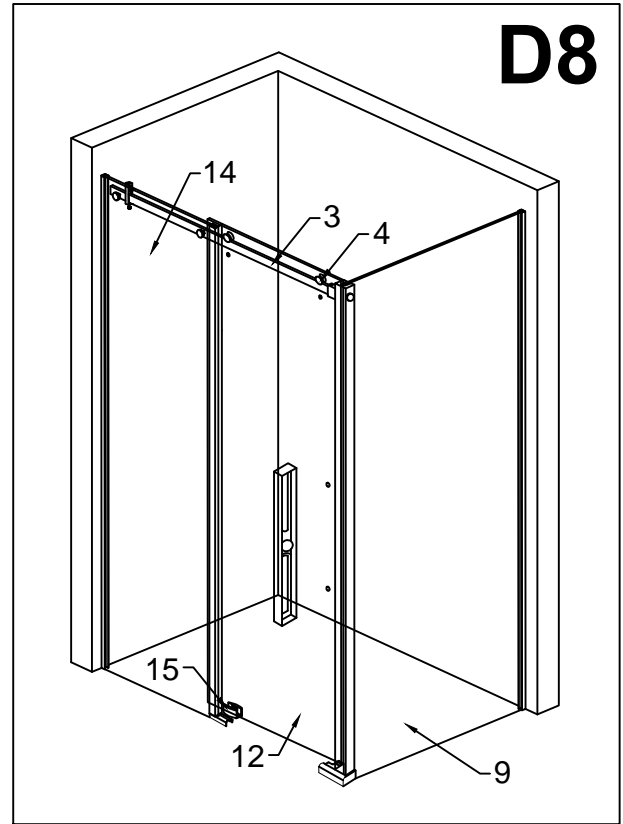
- Drill the holes and place plastic anchors (#21) inside them.



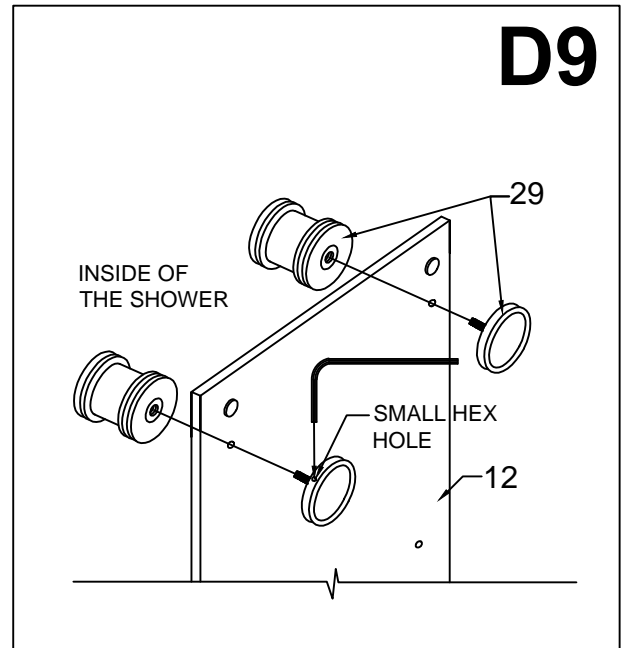
- Screw the door guide to the floor with 1 1/8" screws (#16).



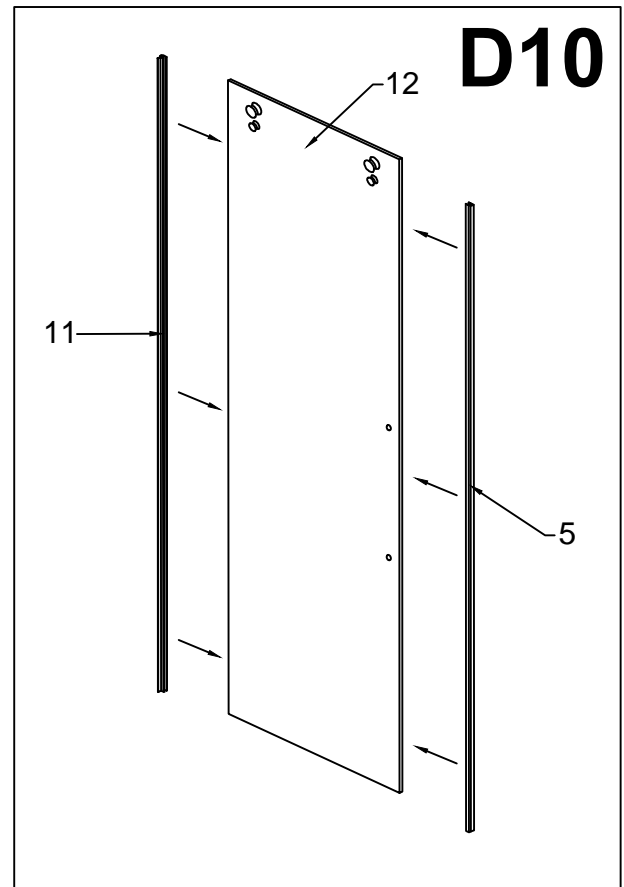
- Place the door (#12) back on the structural rail (#3) making sure it fits in the bottom door guide (#15).



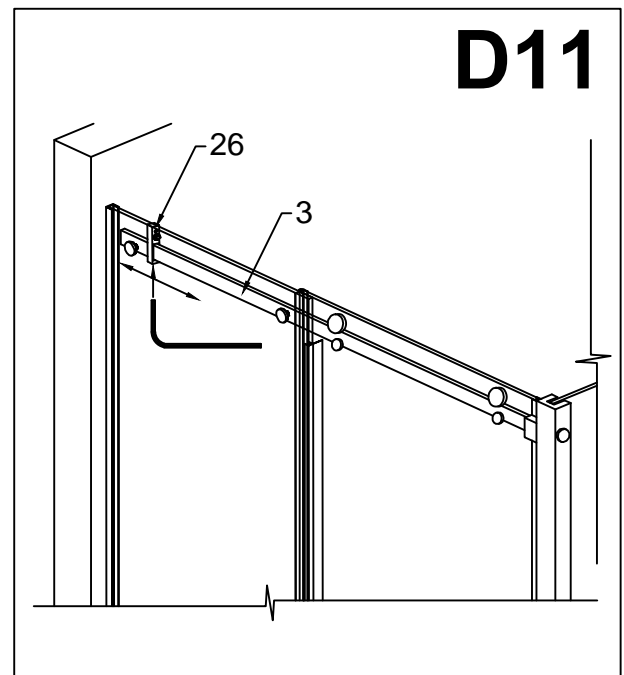
- Screw the two bottom roller guides (#29) to the door panel (#12) using the allen key supplied.



10. Attach the magnetic seal strip (#5) to the handle side of the door panel (#12). Attach the door seal strip with flange (#11) to the other side of the door panel. Start at the bottom and work your way up, using the heel of your hand to firmly press the seal strips onto the glass.

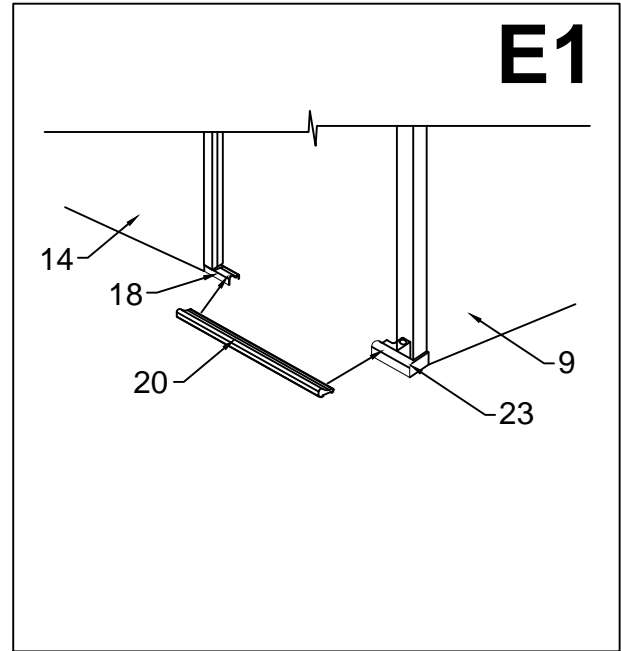


11. Adjust the stopper's (#26) position on the structural rail (#3) and tighten the hex screw. **⚠️ Position the stopper in a spot on the structural rail that will avoid the handle from hitting the glass when the door is in an open position.**



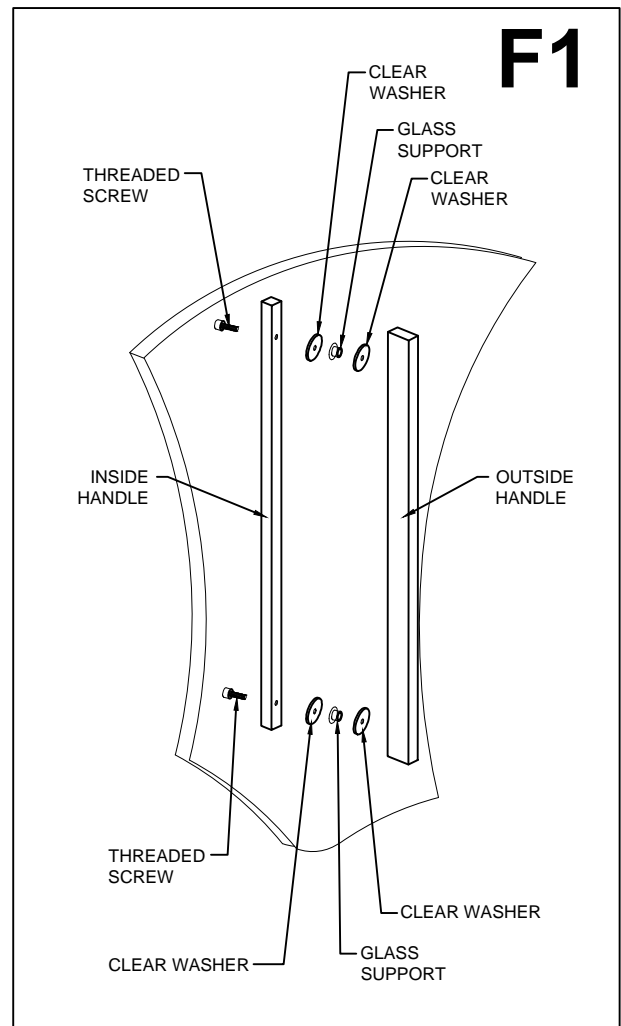
E. INSTALLING THE THRESHOLD

- Slide the door threshold (#20) into the left threshold extended clip (#18) and 90° right threshold clip (#23). You will have to loosen one clip or the other to get the threshold into both clips. Once the threshold is in place, tighten the clips.



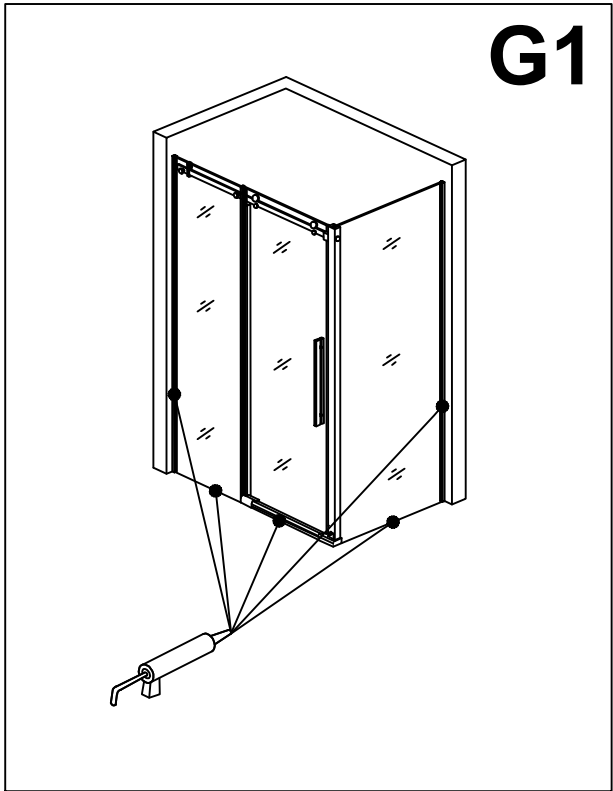
F. INSTALLING THE HANDLE

- Assemble the door handle (#22) to the door (#18). Place the outside handle on the outside of the door and screw from the inside with the provided threaded screw, making sure to have a clear gasket and decoration cap on each side of the glass. From the inside, place the inside handle over the threaded screw and secure in place with the provided set screws.



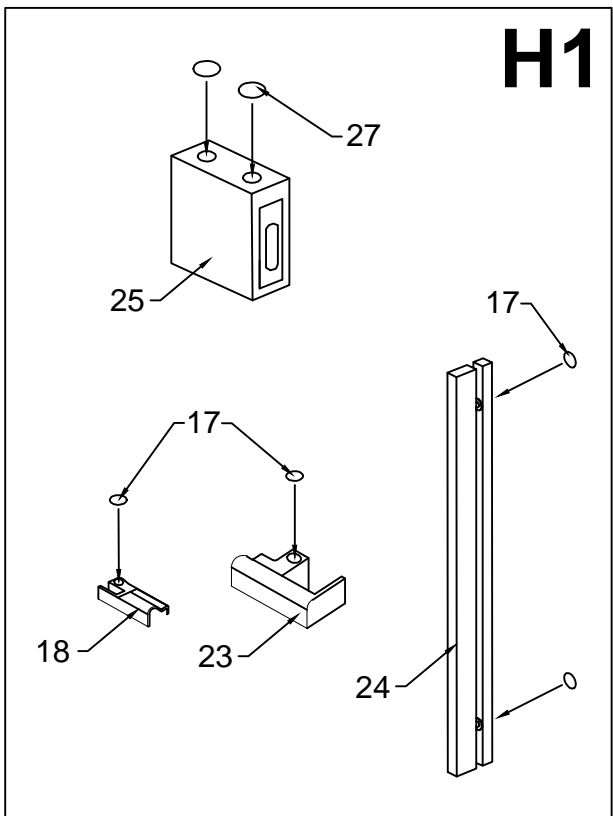
G. APPLYING THE SILICONE

1. Apply silicone caulk along the wall and floor of the shower enclosure interior. Apply silicone caulk along the front fixed panel, side glass panel and the threshold enclosure interior.



H. INSTALLING SCREW COVERS

1. Install the 4mm plastic screw covers (#27) to the structural rail connector (#25). Install the 8mm plastic screw covers (#17) to the left threshold clip (#18), 90° right threshold clip (#23) and the handle (#24).



⚠ IMPORTANT

- WAIT 24 HOURS BEFORE USING SHOWER
- DO NOT ALLOW WATER TO DIRECTLY HIT DOOR SEAL STRIPS.

CLEANING INSTRUCTIONS FOR THE SHOWER CABIN AND DOOR PANEL

1. Use a mild liquid household cleaner to keep metal surfaces bright and clean. Rinse well and dry with a soft, clean cloth.
2. Remove dust with a soft, damp cloth.
3. Use a standard household window cleaner to clean the glass panels.
4. A water beading treatment, similar to what you would use on an automobile windshield, can be used on the inside of the glass to keep it looking brand new.
5. Use rubbing alcohol to clean and remove grease, oil, paint and ink.
6. Should you accidentally scratch or stain your shower enclosure, use a liquid automobile polish to remove.

⚠ IMPORTANT

1. DO NOT use abrasive cleaners, scrapers, metal brushes or any items that could scratch or dull the surface.
2. DO NOT allow surface to come in contact with acetone (nail polish remover), dry cleaning solution, lacquer thinner, gasoline or other similar products.

REGULAR CARE AND MAINTENANCE OF YOUR VIGO SHOWER ENCLOSURE

Your home is a moving entity, shifting and settling over time. Vigo understands this and has designed their shower enclosures with this in mind. It is the responsibility of the homeowner or end user to maintain the integrity of their newly installed enclosure, using the integrated adjustability features. In order to keep your shower enclosure in optimal working condition, Vigo recommends regularly inspecting your enclosure and tightening any hardware that may have loosened during use. This simple step will insure optimal results from your Vigo shower enclosure for many years to come.

⊘ IMPORTANT

ROLLER ADJUSTMENTS TO ACCOMMODATE OUT OF SQUARE OPENINGS

NOTE: There is a 3/8" adjustment in the roller to use in the case that your walls are not plumb and level. Using an allen key, you will be able to adjust the roller to accommodate for the variance.

1. Loosen the hex screw to allow for movement. Then place the allen key in the small hex hole as shown and roll it to the right or left to make the adjustment. [See Fig.1]
2. Fig. 1A displays the 3 different positions.
3. If your walls are plumb and level, follow the configuration in Fig. 2.
4. If your wall is off on the top, the rollers should be adjusted as shown in Fig. 3.
5. If your wall is off on the bottom, the rollers should be adjusted as shown in Fig. 4.

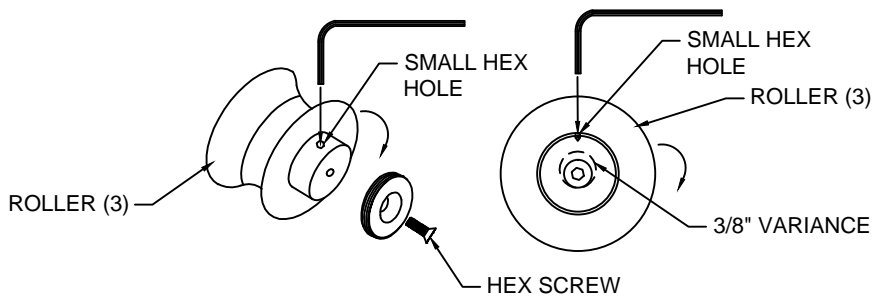


FIG. 1

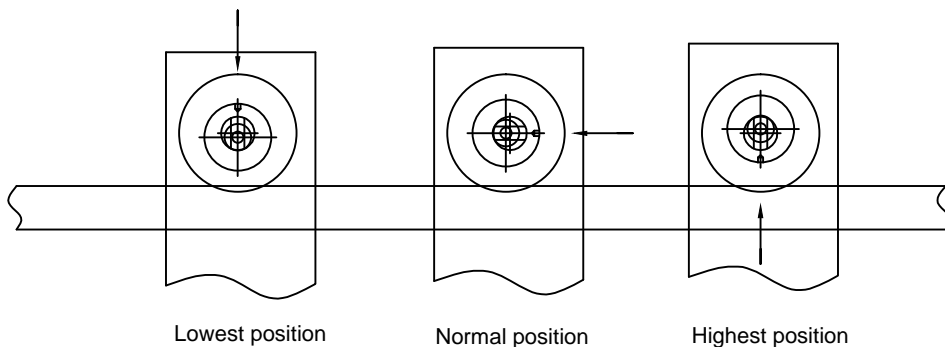
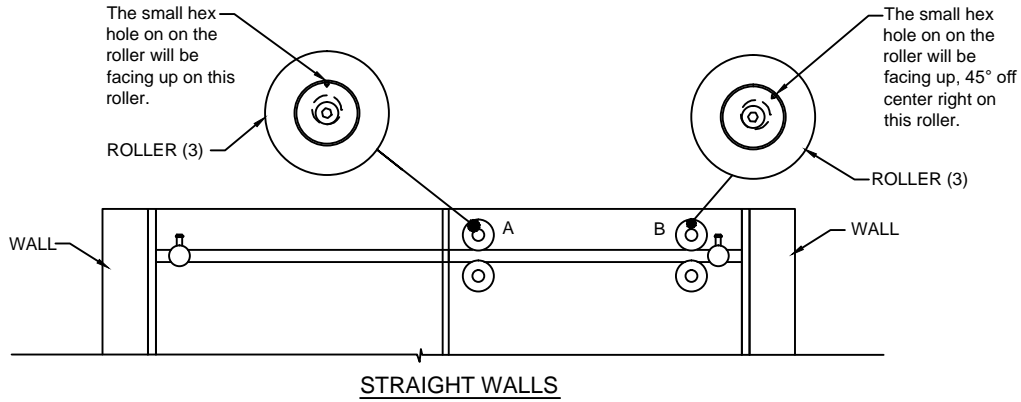


FIG. 1A

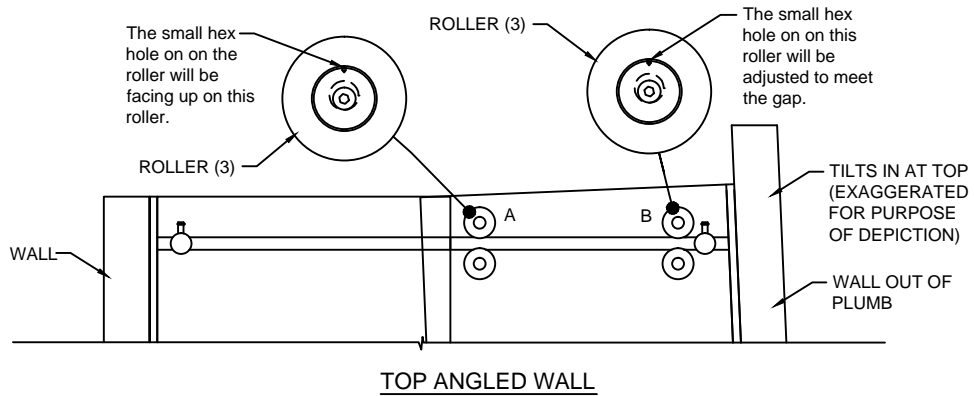
⊘ IMPORTANT

NOTE: These adjustments are approximate. You may need to adjust the direction of the small hex hole to meet your needs.



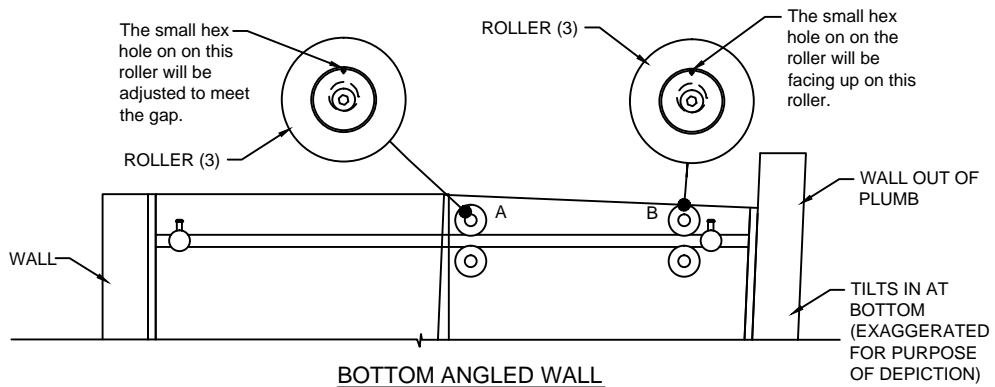
WALL DIRECTION	ROLLER "A" SMALL HEX HOLE DIRECTION	ROLLER "B" SMALL HEX HOLE DIRECTION
STRAIGHT WALL	UP	UP, 45° RIGHT

FIG. 2



WALL DIRECTION	ROLLER "A" SMALL HEX HOLE DIRECTION	ROLLER "B" SMALL HEX HOLE DIRECTION
TOP ANGLED	UP	ADJUST AS NEEDED

FIG. 3



WALL DIRECTION	ROLLER "A" SMALL HEX HOLE DIRECTION	ROLLER "B" SMALL HEX HOLE DIRECTION
BOTTOM ANGLED	ADJUST AS NEEDED	UP

FIG. 4

VIGO INDUSTRIES, LLC ("VIGO")
SHOWER ENCLOSURE LIMITED LIFETIME WARRANTY

EFFECTIVE JANUARY 1, 2010

VIGO offers the following limited warranty on each of its Shower Enclosure products* (the "Product") and the components thereof. This warranty extends only to the original owner or end-user for personal household use. For commercial uses, additional limitations apply.

VIGO warrants the structural glass component of the Product to be free from defects in workmanship and materials under normal use and service for the period commencing from the initial date of purchase by the owner or end-user, contractor, or builder, from VIGO or an authorized VIGO dealer, through the lifetime of the original owner or end-user.

VIGO warrants the hardware components of the Product to be free from defects in workmanship and materials under normal use and service for a period of two (2) years from the initial date of purchase by the owner or end-user, contractor, or builder, from VIGO or an authorized VIGO dealer.

VIGO warrants the seal strip components of the Product to be free from defects in workmanship and materials under normal use and service for a period of one (1) year from the initial date of purchase by the owner or end-user, contractor, or builder, from VIGO or an authorized VIGO dealer.

Subject to the Warranty Service provision below, any product reported to the authorized dealer or to VIGO as being defective within the warranty period will be repaired or replaced (with a product of equal value) at the option of VIGO. This warranty extends to the original owner or end-user and is not transferable to a subsequent owner.

Neither the distributor, authorized VIGO dealer, nor any other person has been authorized to make any affirmation, representation, or warranty other than those contained in this warranty. Any affirmation, representation, or warranty other than those contained in this warranty shall not be enforceable against VIGO or any other person.

VIGO reserves the right to modify this warranty at any time, it being understood that such modifications will not alter the warranty conditions applicable at the time of sale of the products in question.

Limitations

This warranty shall not apply to instances of incorrect operating procedures, breakages, or damages caused by fault through improper installation, carelessness, abuse, misuse, misapplication, improper maintenance, or alteration of the Product, as well as chemical or natural corrosion, accident, fire, flood, an act of God, or any other casualty. Avoid abrasive cleaners, steel wools, and harsh chemicals as these will scratch, damage, and / or dull the product and / or finish and void this warranty. The owner/end-user of the Product covered by the present warranty is entirely responsible for its proper installation and any applicable plumbing or electrical wiring. VIGO neither installs nor supervises the installation nor hires a contractor for this purpose; consequently, VIGO cannot be held responsible for any default, breakage, or damages caused thereby or resulting thereof, either directly or indirectly.

The owner/end-user must provide access to the components of the Product as described in the installation guide so that VIGO can execute the warranty specified herein. If such access is not available, all expenses to provide said access will be the responsibility of the owner/end-user.

This warranty does not apply to Products that have not been installed or operated in accordance with instructions supplied by VIGO and all applicable rules, regulations, and legislation pertaining to such installations.

This warranty does not apply unless the VIGO Product is installed by fully insured licensed professionals. VIGO strongly recommends that such licensed professionals have experience in the installation of bathroom and kitchen products. Installation of certain products, including, without limitation, glass products (i.e., shower doors and glass sinks) by an inexperienced person may result in glass breakage and, consequently, cause personal injury or death.

VIGO is not liable for personal injuries or deaths to any persons or for any direct, special, incidental, or consequential damage, loss of time, loss of profits, inconvenience, incidental expenses, labor or material charges, or any other costs resulting from the use of the product or equipment or pertaining to the application of the present warranty, or resulting from the removal or replacement of any product or element or part covered by this warranty.

EXCEPT AS OTHERWISE PROVIDED ABOVE, VIGO MAKES NO WARRANTIES, EXPRESSED OR IMPLIED, INCLUDING WARRANTIES OF MERCHANTABILITY AND FITNESS FOR A PARTICULAR PURPOSE OR COMPLIANCE WITH ANY CODE.

In any case, VIGO cannot be held liable for any amount over and above the purchase price paid for the Product by the owner/end-user, contractor, or builder.

Commercial Limitations

In addition to the above conditions and limitations, the warranty period for products installed for commercial applications or used in commercial ventures is one (1) year from the initial date of purchase by the owner/end-user, contractor, or builder from an authorized dealer. VIGO is not responsible for loss of use or profit under any circumstances. If the product is used as a display, the warranty period begins when the product is placed on display. This warranty gives the owner/end-user specific legal rights. The owner/end-user may also have other rights which can vary from one state or province to another.

Warranty Service

In order to obtain service provided under this warranty during regular business hours, contact the dealer or distributor who sold the unit, or contact VIGO directly. VIGO will provide the warranty service described above when the following conditions have been met: the failure is of the nature or type covered by the warranty; the user has informed an authorized VIGO Agent or VIGO's warranty service department representative of the nature of the problem during the warranty period; conclusive evidence (e.g., proof of purchase or installation) is provided to the foregoing by the user proving that the failure occurred or was discovered within the warranty period; an authorized independent service person or company representative has been permitted to inspect the product during regular business hours within a reasonable time after the problem was reported by the user. VIGO's warranty obligation shall be discharged upon tender of replacement or repair. The customer's refusal to accept the tender terminates VIGO's warranty obligations.

*Certain models are pending approval.
Certification may be ended by VIGO or certification agencies without notice.