



6 SERIES WALL HOOD SLIM DESIGN

Viking 6 Series – MVWHS

EASY CLEANING

- Dishwasher safe commercial baffle filters
- Functional design is easy to clean. Eliminates grease traps
- No unsightly screws to clean around

QUIET OPERATION

- Rubber-mounted motor & large, squirrel-cage blower reduce sound and vibration
- 3-speed motor control reduces blower and air movement sound
- Large, oversized filters reduce air movement sound

ENDURING QUALITY

- Internal motor models deliver 390 CFM (code compliant)
- Commercial grade stainless steel
- Two oversized 14" x 15" stainless steel baffle filters improve performance
- Two LED lights brighten cooking area
- Performance tested for CFM

DISTINCTIVE DESIGN

- Style complements Viking Virtuoso cooking products
- Electronic touch controls with blue LED back lighting, with NEW remote control
- Includes telescopic stainless steel duct cover for up to 10' ceilings
- Optional telescopic stainless steel duct cover available for up to 12' ceilings

EASY INSTALLATION

- Installs easily in standard size cabinet openings
- Exhausts out the top with a 7" round discharge



MVWHS636BG

MODEL NUMBER

- MVWHS636BG – 36"W. Wall Hood Slim Design - Stainless Steel with Black Glass front

ACCESSORIES

- MVDC636SS – Duct Cover for ceilings 10'-12'

COLOR FINISHES

- Available in Stainless Steel with Black Glass front

WARRANTY

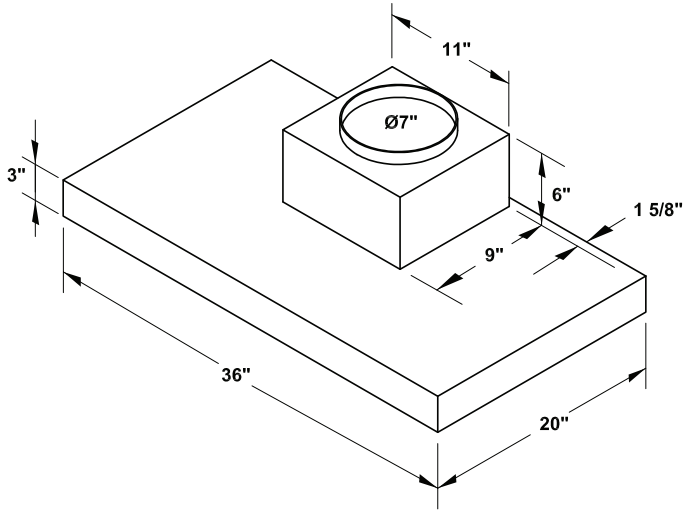
- 2-year full – complete product
- 90-day full – cosmetic parts such as glass, painted items and decorative items
- 5-year limited – ventilator motors



6 SERIES WALL HOOD SLIM DESIGN

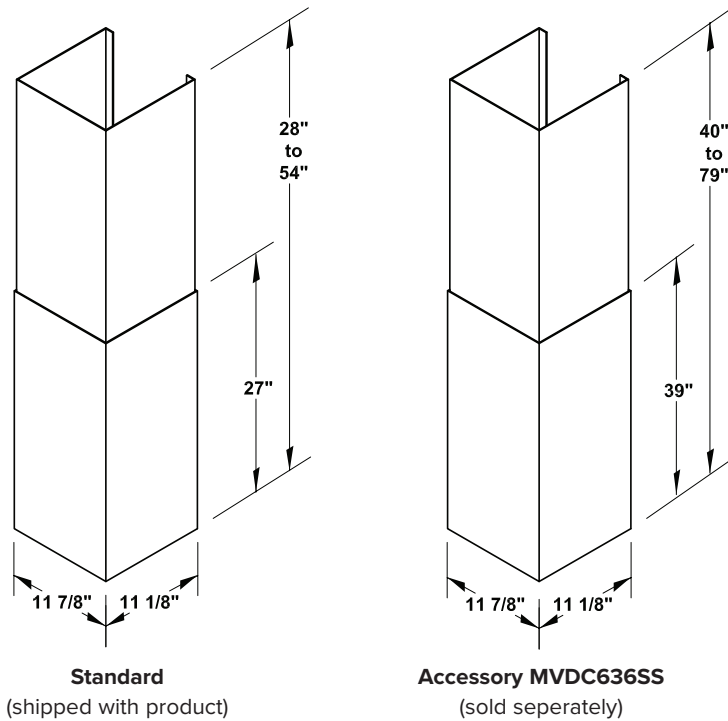
Viking 6 Series – MVWHS

HOOD DIMENSIONS



DIMENSIONS			
Model	Width	CFM	Duct Opening
MVWHS636	36"	390	7"

DUCT COVERS



NOTE: Use of duct cover is optional. Unit can be installed alone to be placed under any cabinet.



VIKING RANGE, LLC 111 FRONT STREET GREENWOOD, MISSISSIPPI 38930 USA

For detailed product information, model numbers, or to request a quote call 1-888-845-4641 or visit vikingrange.com
 © 2020 Viking Range, LLC All rights reserved. Specifications subject to change without notice.