

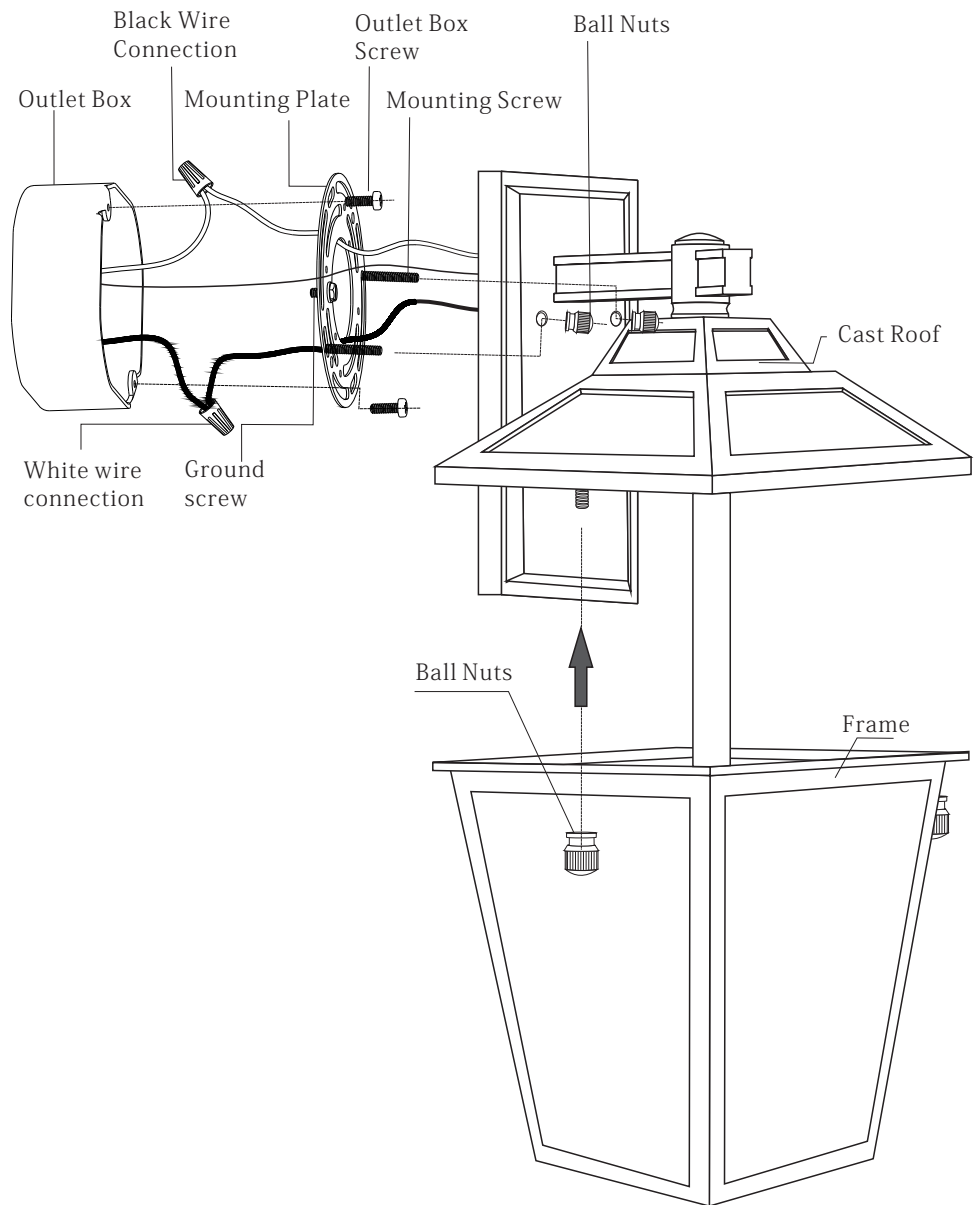
ASSEMBLY AND INSTALLATION INSTRUCTIONS

WARNING: Be sure the electricity to the wires you are working on is shut off, either the fuse is removed or the circuit breaker is shut off.

NOTE: Before installing, consult local electrical codes for wiring and grounding requirements. Carefully remove the fixture from the carton, and check that all parts are included, as shown in figure. Be careful not to misplace any of the screws or parts which are needed for installing the fixture.

Assembly And Installation Step:

1. It will be necessary to remove the packing material from the inside of the lamp and glass.
2. Thread the 2 mounting screws to the mounting bar.
(You can adjust the length of the screws if necessary)
3. Attach the mounting bar to the outlet box by using 2 outlet box screws.
4. Make wire connections with nuts:
 - a. The black wire from fixture to the black wire from power source.
 - b. The white wires from fixture to the white wire from power source.
 - c. Attached the ground wire and house ground wire to the mounting plate with a green ground screw.
5. Attach the fixture to the mounting plate by inserting 2 mounting screws, and then secure with 2 ball nuts.
6. Place frame into cast roof, and then tighten with 2 ball nuts .
7. Install bulb(not included).
8. Turn on the power at fuse or circuit box.



539M/539B/539S