

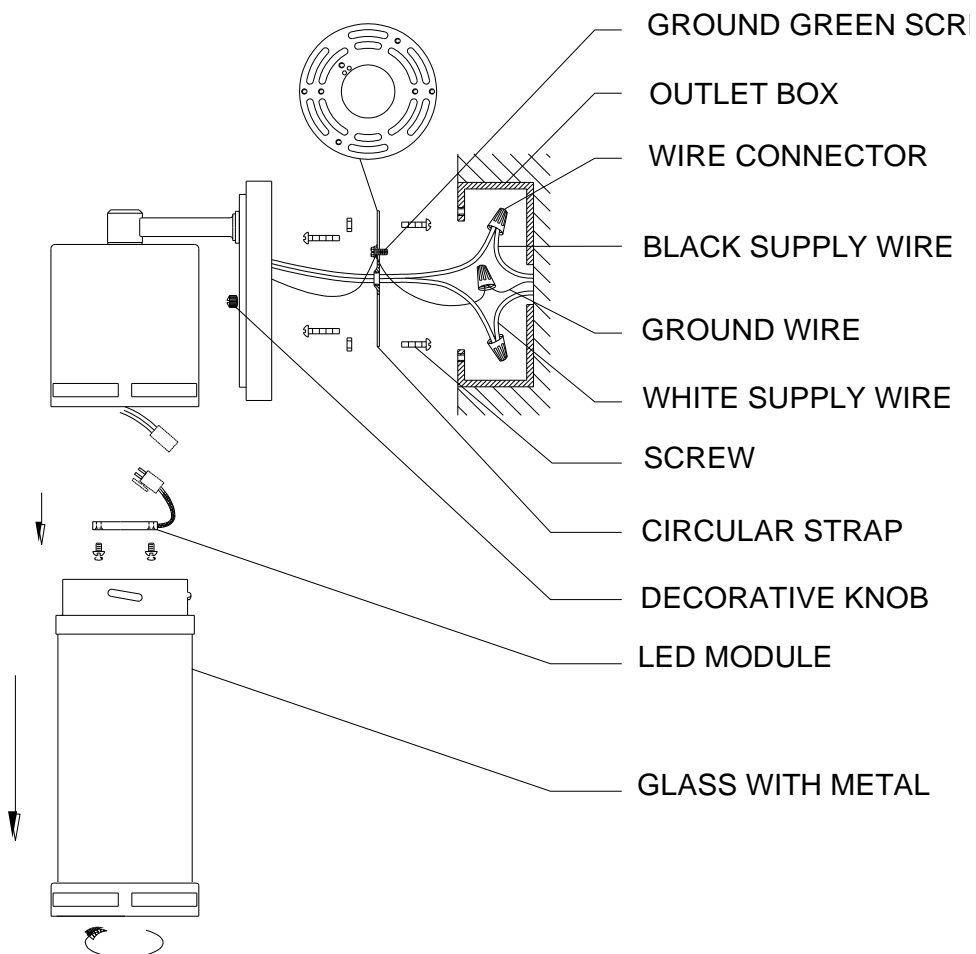
**FOR YOUR SAFETY WARNING: BE SURE THE ELECTRICITY TO THE WIRES YOU ARE WORKING ON IS SHUT OFF; EITHER THE FUSE IS REMOVED OR THE CIRCUIT BREAKER IS SHUT OFF.**

**GENERAL** You don't need special tools to install this fixture. Be sure to follow the steps in the order given. Under no circumstances should a fixture be hung on house electrical wires, nor should a swag type fixture be installed on a ceiling which contains a radiant type heating system. Read instructions carefully. If you are unclear as to how to proceed, consult a qualified electrician.

**NOTE:** Proper wiring is essential for the safe operation of this fixture.

## **ASSEMBLY INSTRUCTIONS**

553B-LED & 560B-LED



### **READ & SAVE**

### **INSTALLATION & OPERATION INSTRUCTIONS**

### **TOOLS & MATERIALS REQUIRED**

Screwdriver                      Wire Cutters  
Adjustable Wrench              Wiring Supplies

### **CAUTION**

Prior to assembly, refer to ELECTRICAL CONNECTIONS section. If you do not have electrical wiring experience, refer to a do-it-yourself wiring handbook or have your fixture installed by a qualified licensed electrician.

### **GENERAL**

1. Be sure to read these instructions and review the diagrams thoroughly before beginning.
2. Electrical connections must be in accordance with local codes, ordinances, or the National Electric Code. If you are unfamiliar with methods of installing electrical wiring, secure the services of a qualified licensed electrician.
3. Before starting the installation, disconnect the power by turning off the circuit breaker or by removing appropriate fuse at fuse box. Turning the power off at the light switch is not sufficient to prevent electrical shock.

## **PREPARE THE FIXTURE**

### **NOTE: First turn off electricity**

Detach the circular strap from the backplate and mount the circular strap to the outlet box in your wall using the two screws provided.


### **ELECTRICAL CONNECTIONS 120V~, 60Hz**

Connect white wire(s) from fixture to white neutral wire from supply circuit.

Connect black wire(s) to black hot wire from supply circuit. Connect green wire to green or bare wire or grounding screw on mounting bracket. In all cases grounding conductor to earth must be used. Use UL/CSA Listed wire connects suitable for the size, type, and number of conductors. No loose strands or loose wires should be present. Secure wire connectors with UL/CSA Listed electrical tape.

1. Spread electrical splices so black wires are on one side of outlet box and white wires on the other.
2. Mount the body of the fixture on the screws protruding from circular strap mounted on outlet box. The screw will protrude through holes of the back plate of fixture and be fastened with the decorative knobs. Be careful not to pinch any of the wires between the fixture and the outlet box.
3. Once the fixture is mounted on the wall, caulk the space between the wall and the upper area of the back plate to prevent water seeping into the outlet box. Leave the bottom area un-caulked for drainage of any water which might leak into the enclosure.
4. Installation is complete. Turn on the power at the circuit breaker or fuse box. Turn the light switch on to activate the fixture.
5. LED replacement, take down the glass with metal parts, unscrew the screws on LED and pull out LED module, replace LED module by quick connector. Then feed the new LED module back and secure with screws.

**CAUTION: LED fixtures can operate at high temperatures please use caution when touching during operation or after operation.**

 Z-Lite