


ZLINE



**BATH FAUCETS**

---

Installation Guide  
and Users Manual

 **WARNING:** This product can expose you to chemicals including nickel, which is known to the State of California to cause cancer. For more information, go to [www.P65Warnings.ca.gov](http://www.P65Warnings.ca.gov).



Inspired by the clear, serene waters of the stunning Lake Tahoe, ZLINE Bath Faucets provide the ultimate luxury experience. ZLINE Faucets are offered in a wide selection of contemporary styles and designer finishes. With ergonomic control in mind, these faucets offer the perfect amount of aerated water pressure at 1.8 gal/min, allowing for an eco-friendly and efficient washing experience.

Each faucet is precision tested, as they undergo over 50,000 unit tests - a step above the industry standard of 15,000 tests. Have peace of mind knowing ZLINE Faucets are cUPC Certified, ensuring the materials used are durable and lead-free. Discover what makes Attainable Luxury® the core essence of ZLINE Kitchen and Bath with these designer bath faucets.

ZLINE is fueled by a passion for innovation; A relentless pursuit of bringing the highest end luxury designs and professional features into everyone's homes. Because we continually strive to improve our products, we may change specifications and designs without prior notice.

# WARRANTY

## COVERAGE

ZLINE Kitchen and Bath faucets have a limited lifetime warranty from the original purchase date for the original purchaser of the product.

## TERMS

This warranty applies only to the original purchaser of a faucet installed for normal residential use. This is defined as a single-family, residential dwelling in a non-commercial setting. Commercial settings include but are not limited to: schools, churches, hotels, restaurants, vacation rentals such as Airbnb, day care centers, private clubs, fire stations, common areas in multi-family dwellings, nursing homes, food service locations, and institutional food service locations such as hospitals or correction facilities. This warranty is non-transferable and will not be extended based on the date of installation. The warranty applies only to products installed in the continental United States and the District of Columbia.

Warranty shall not apply and ZLINE Kitchen and Bath is not responsible for damage resulting from negligence, improper maintenance, misuse, abuse, alteration of or tampering with the appliance, accident, natural disaster, improper installation, or installation not in accordance with the instructions contained in the manual, or the local codes.

## WHAT IS NOT COVERED

1. Installation or start-up, damages, or problems caused by improper installation or use.
2. Installation in any commercial or non-residential application.
3. Removal or re-installation cost.
4. Aesthetic damage, scratches, or natural wear caused by normal use.
5. Second-hand, open box products or products purchased from an unauthorized retailer.

# TABLE OF CONTENTS

IMPORTANT SAFETY INSTRUCTIONS	1
SINGLE HANDLE & CENTERSET FAUCETS	2
DOUBLE HANDLE FAUCETS	8
WALL MOUNTED DOUBLE HANDLE FAUCETS	13
TROUBLESHOOTING	18

# SAFETY INSTRUCTIONS

## PRIOR TO INSTALLATION

- Make sure that the cold and hot water lines are turned off.
- Wrap all threaded connections with plumber's tape. Always wrap in a clockwise direction.
- Cover your drain to avoid losing parts.
- Do not disassemble the main faucet body, as it has been installed and commissioned correctly and precisely before delivery to the factory.
- To keep the faucet from jamming, flush the water pipe before installation.

Operating conditions: Working pressure at 0.05-1.0 MPa (including cold and hot water pressure) with applicable water temperature: 39.2°F - 194°F.

Water supply line length: 27.5"

Sprayer length: 46.5"

## INSTALLATION PREPARATION

1. Shut off the water and let the water in the current faucet drain.
2. Assemble needed tools. The tools needed for each installation are included at the beginning of each section.
3. Loosen the hardware that keeps the current faucet in place. Remove faucet.

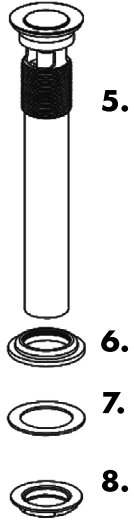
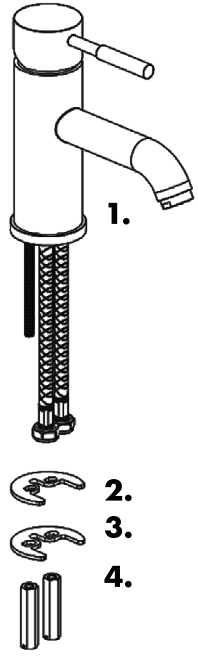
## CARE AND MAINTENANCE

To keep the product clean and shining, follow the steps below:

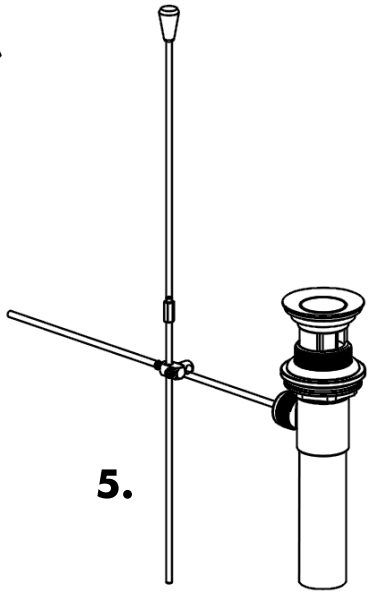
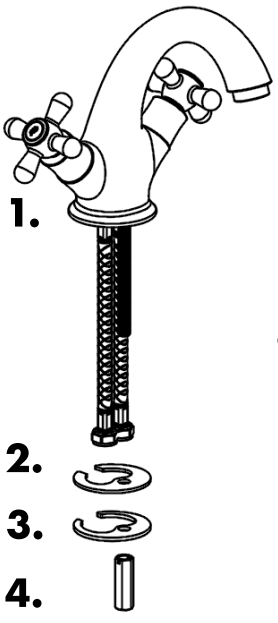
1. Rinse clean with water and dry with a soft cloth.
  2. Do not clean with soaps, acid, polish, abrasives, or harsh cleaners.
  3. Do not use cloth with a coarse surface.
  4. Unscrew the aerator and clean when necessary.
- 
- If soldering the water connections when installing the faucet, remove the O-rings, cartridges, and washers before applying any heat.
  - Protect your eyes when cutting or soldering.
  - Do not over tighten screws/nuts. Finger tighten, then use a wrench/Philips head screwdriver to tighten the fixing screw/nut until snug.

# BEFORE INSTALLATION

## Single handle & Centerset



- 1. Body
- 2. Washer
- 3. Washer
- 4. Nut
- 5. Pop-up
- 6. Washer
- 7. Flat washer
- 8. Nut



- 1. Body
- 2. Washer
- 3. Washer
- 4. Nut
- 5. Pop-up

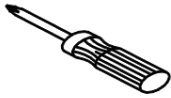
# BEFORE INSTALLATION

## Single Handle & Centerset

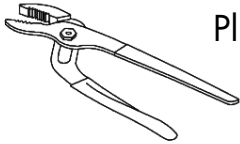
Tools Needed:



Wrench



Phillips-head screwdriver



Pliers

Time required:



+/- 45 minutes

Legend:



Hot Water



Cold Water



Grease



Warning

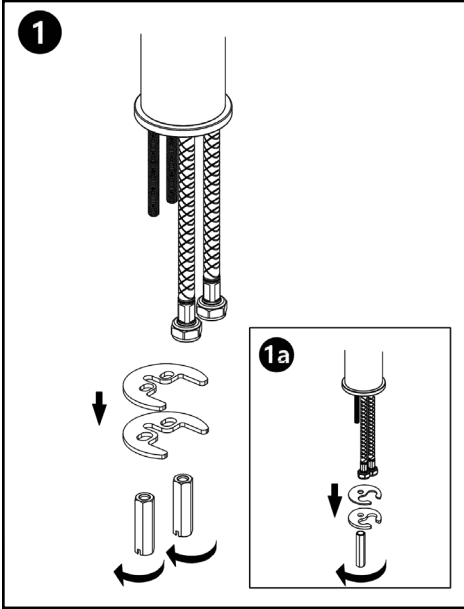


Plumber's Tape

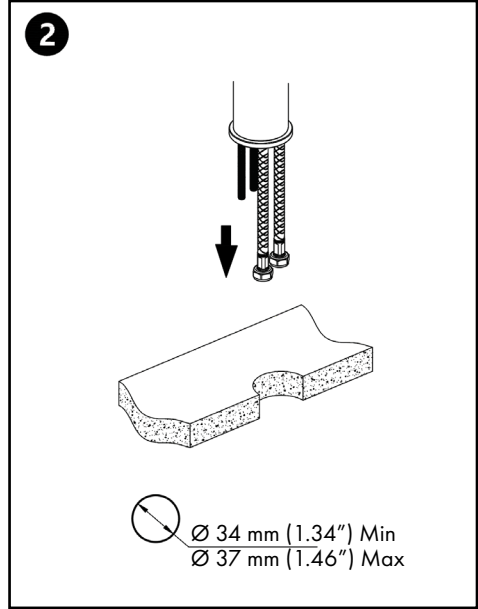


# INSTALLATION

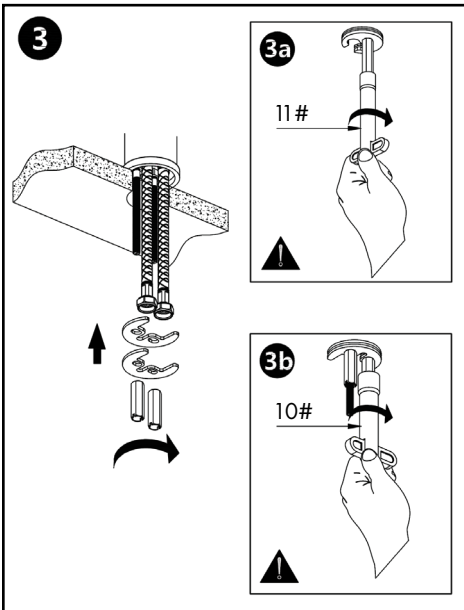
## Single Handle & Centerset



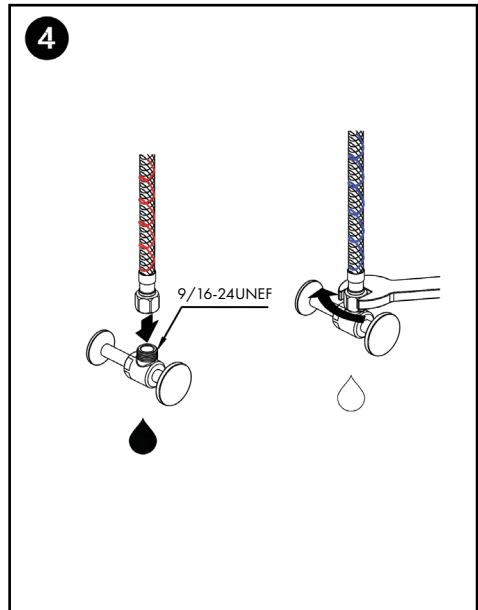
Loosen the fixing nut and screws for the handles and put aside.



Mount faucet to counter top.



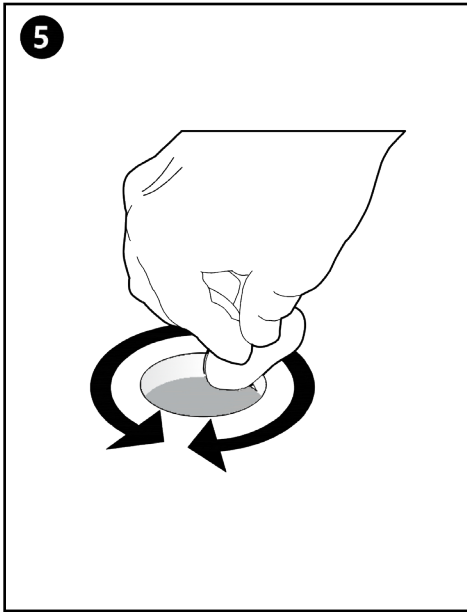
Secure the hardware into place.



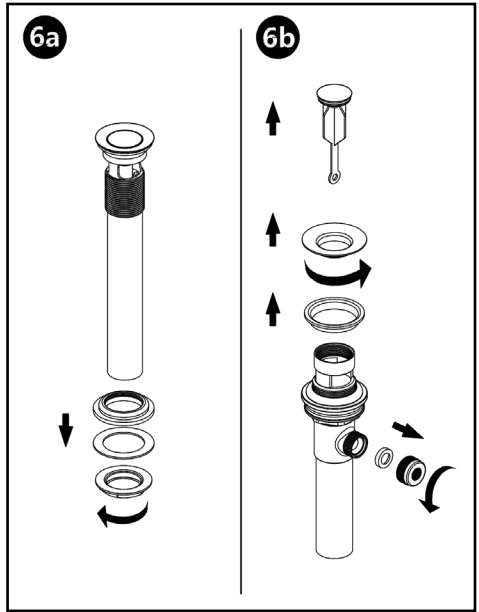
Secure the hoses to the hot (red) and cold (blue) lines appropriately.

# INSTALLATION

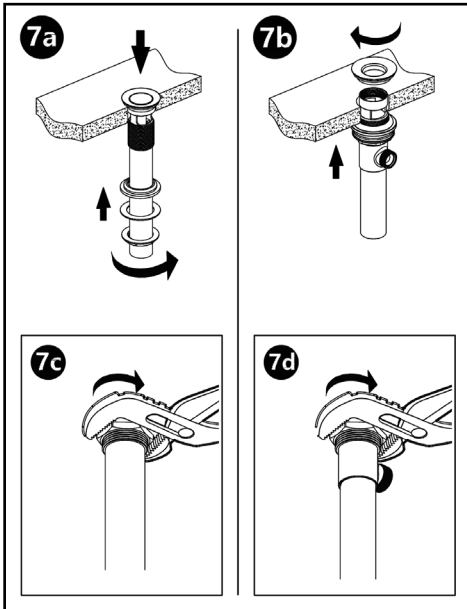
## Single Handle & Centerset



Clear area before inserting pop-up drain stopper.



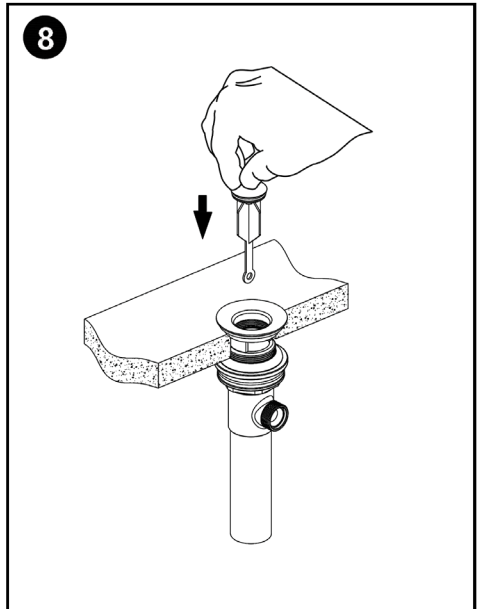
Remove the washer, flat washer, and nut from the pop-up.



Insert the pop-up from above and tighten the nut and washers below to secure to the counter top.

**FOR MODELS WITH LIFT ROD**

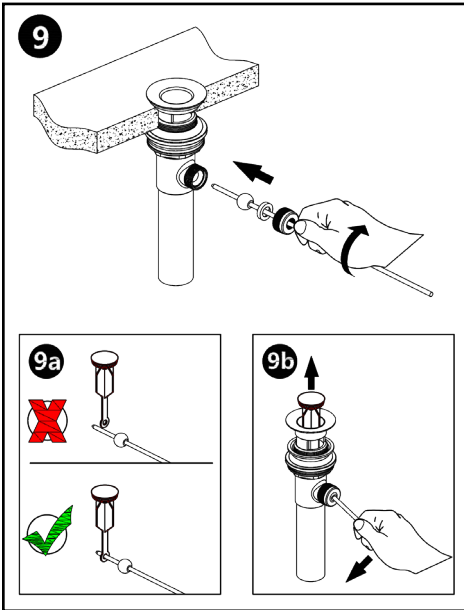
Set the flat rubber gasket over the drain hole in your sink, then insert the flange into the drain hole.



Insert the stopper tailpiece from above. Position the tailpiece hole to align with the hole to the side of the body.

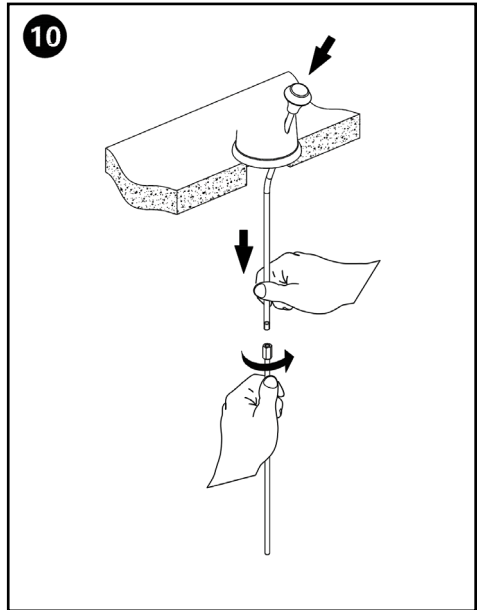
# INSTALLATION

## Single Handle & Centerset



Connect the drain lever by threading it into the hole on the side of the body. The lever must pass through the hole in the stopper tailpiece to function properly.

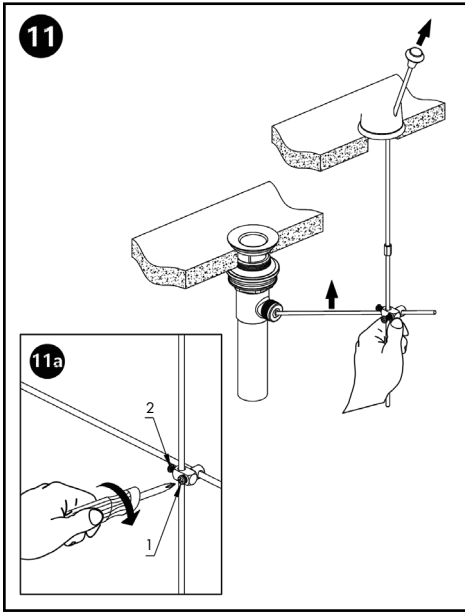
Position the drain so that the lever is facing the back of the fixture, in line with the faucet's lift rod. (See STEP 10)



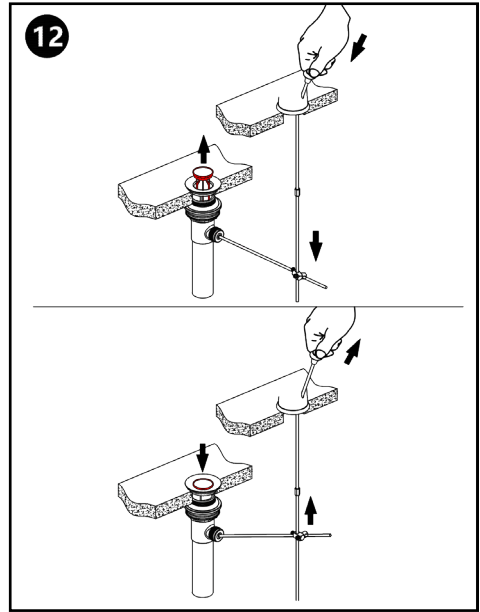
If not already installed, insert the faucet's lift rod into its designated hole on the back of the faucet. Attach the extension rod.

# INSTALLATION

## Single Handle & Centerset



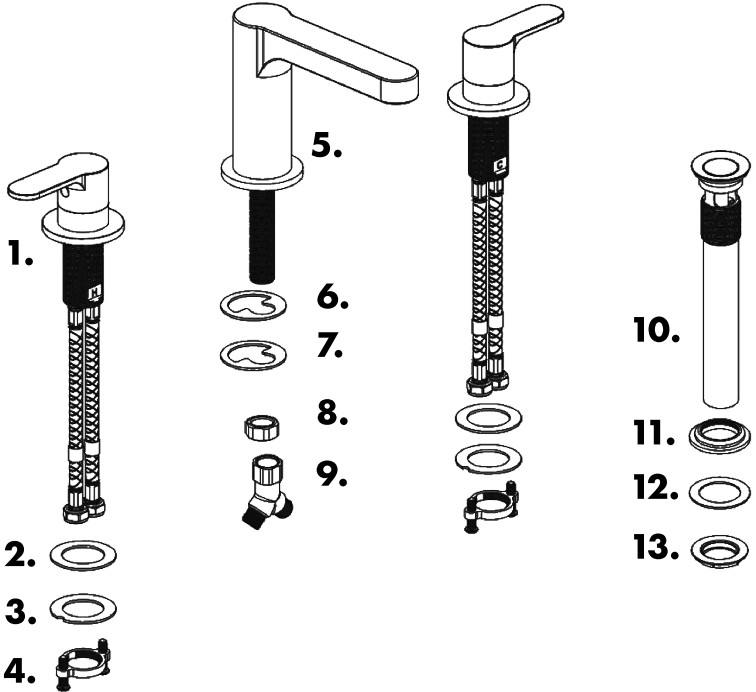
Connect the lift rod and the drain lever with the included attaching clip. Use a screwdriver to secure but do not overtighten the link.



Once connected, to open the drain, push down. To close the drain, pull up. Fill your sink to check for any leaks and to ensure that the drain is functioning properly.

# BEFORE INSTALLATION

## Double Handle Faucet



- 1. Faucet Handle
- 2. Washer
- 3. Washer
- 4. Lock Nut
- 5. Body
- 6. Washer
- 7. Washer
- 8. Nut
- 9. Adapter
- 10. Pop-up
- 11. Washer
- 12. Flat Washer
- 13. Nut

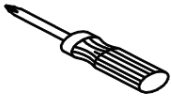
# BEFORE INSTALLATION

## Double Handle Faucet

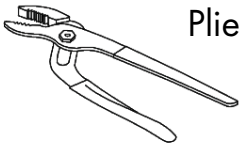
Tools Needed:



Wrench



Phillips-head screwdriver



Pliers

Time required:



+/- 45 minutes

Legend:



Hot Water



Cold Water



Grease



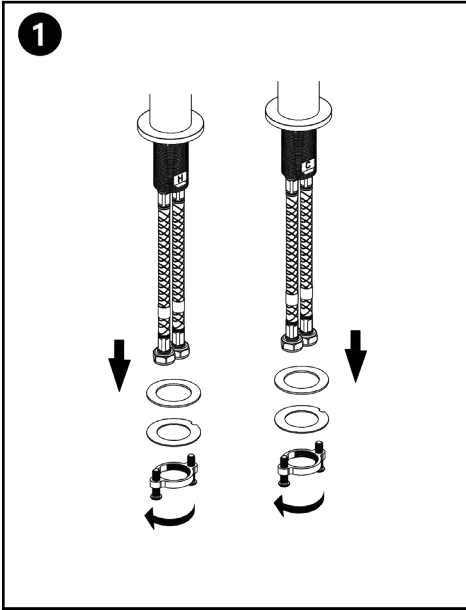
Warning



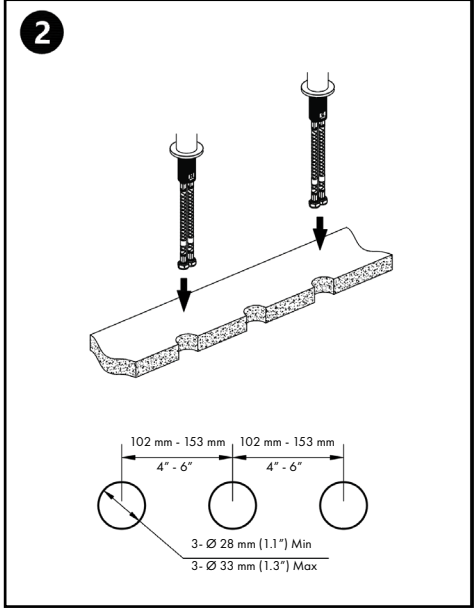
Plumber's Tape

# INSTALLATION

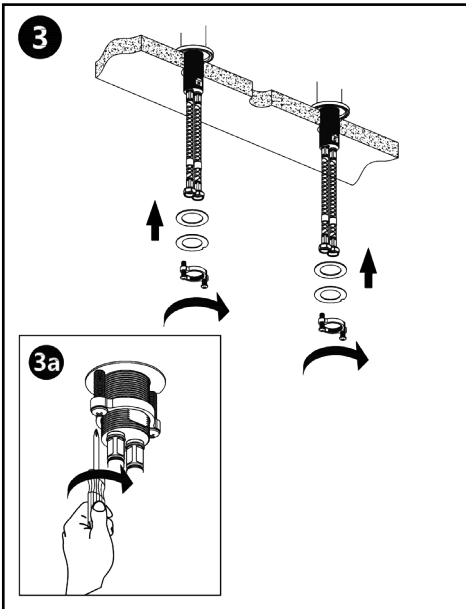
## Double Handle Faucet



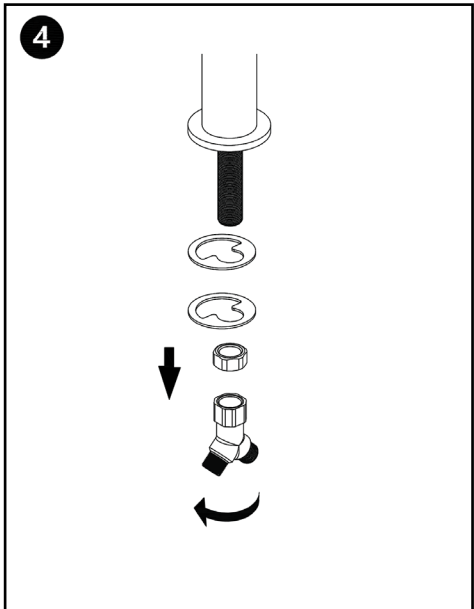
Loosen the fixing nut and screws for the handles and put aside.



Mount handles to the counter top.



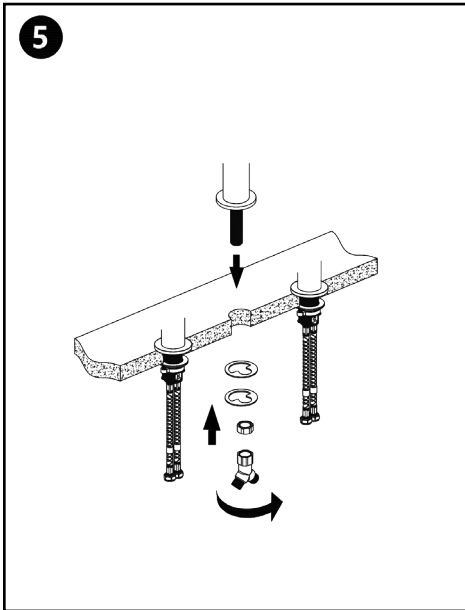
Secure the hardware into place with the Base O-ring, nuts, and screws.



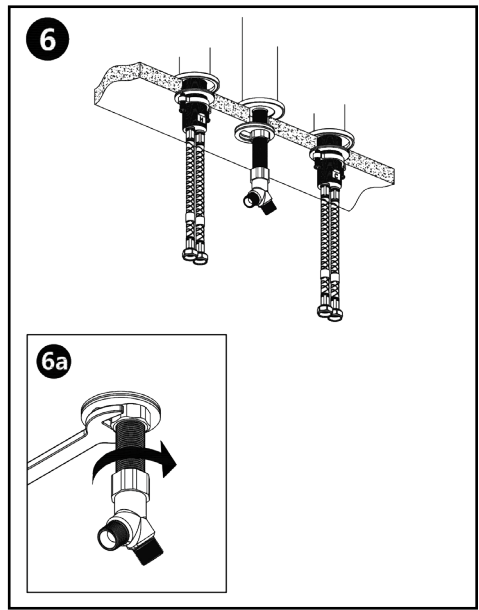
Loosen the fixing nut, washers, and adapter from the body and put aside.

# INSTALLATION

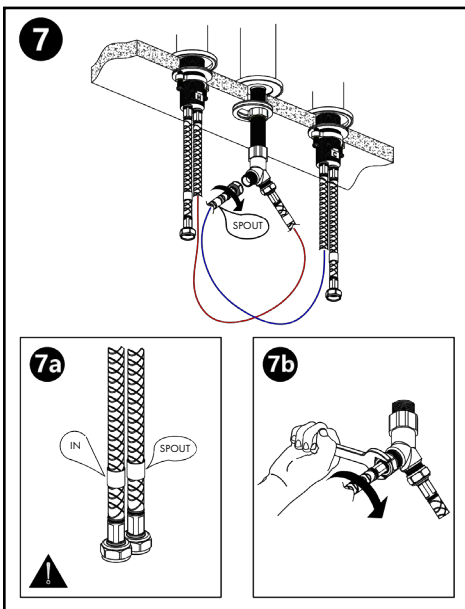
## Double Handle Faucet



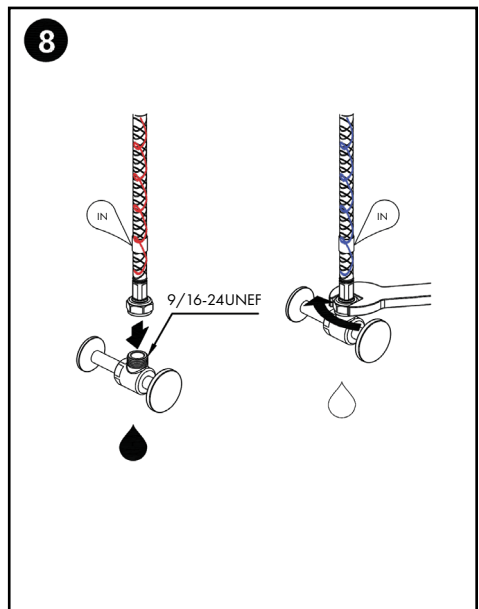
Insert the body into the counter top from above and secure with nuts and washer from below.



Secure the hardware into place.



Secure the spout hose lines from the hot and cold water fixtures.

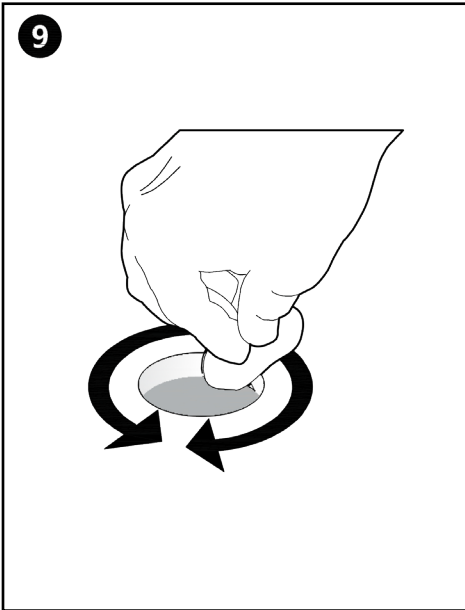


Secure the hoses to the hot (red) and cold (blue) lines appropriately.

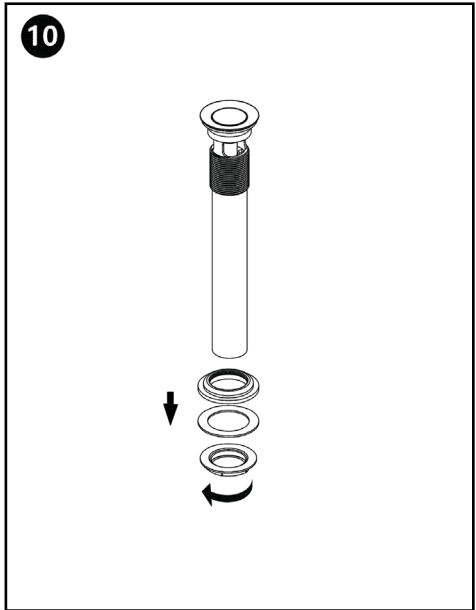


# INSTALLATION

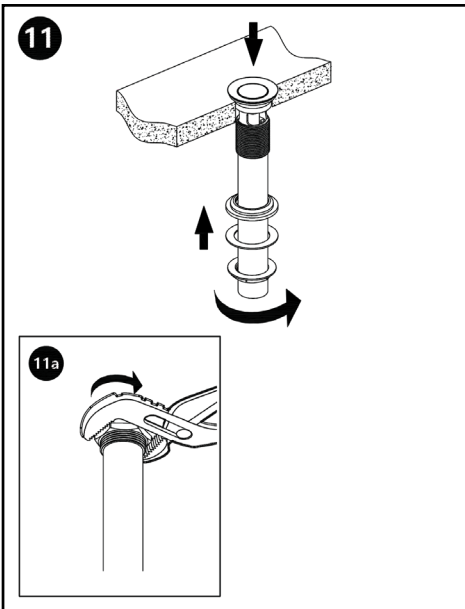
## Double Handle Faucet



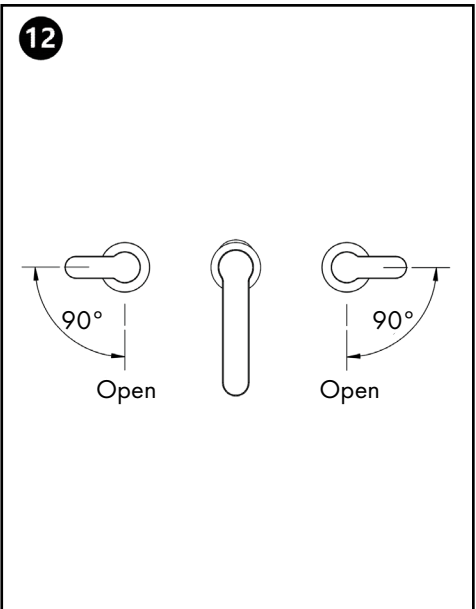
Clear area before inserting pop-up drain stopper.



Remove the washer, flat washer, and nut from the pop-up.



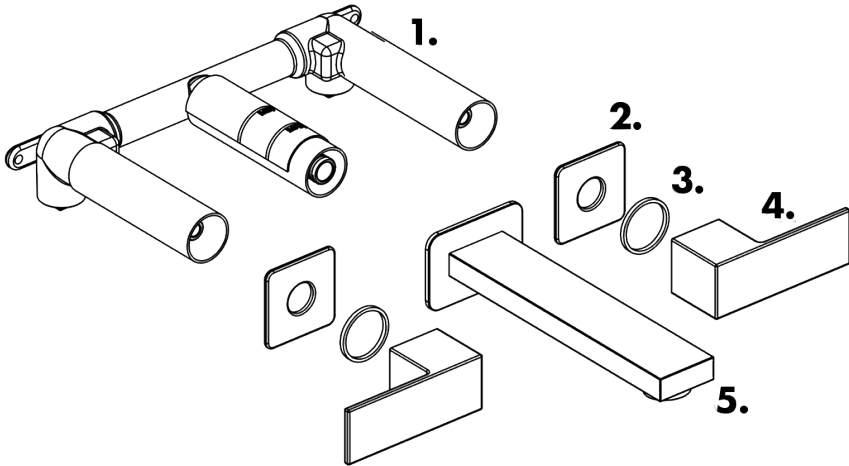
Insert the pop-up from above and tighten the nut and washers below to secure to the counter top.



Review the diagram to understand the hot, cold, and open settings.

# BEFORE INSTALLATION

## Wall Mounted Double Handle Faucet

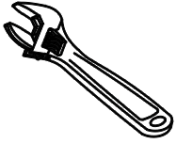


1. Rough-In
2. Faceplate
3. Washer
4. Handle
5. Spout

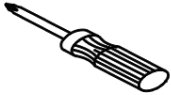
# BEFORE INSTALLATION

## Wall Mounted Double Handle Faucet

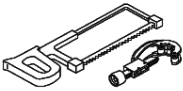
Tools Needed:



Wrench



Phillips-head screwdriver



Hacksaw

Time required:



+/- 45 minutes

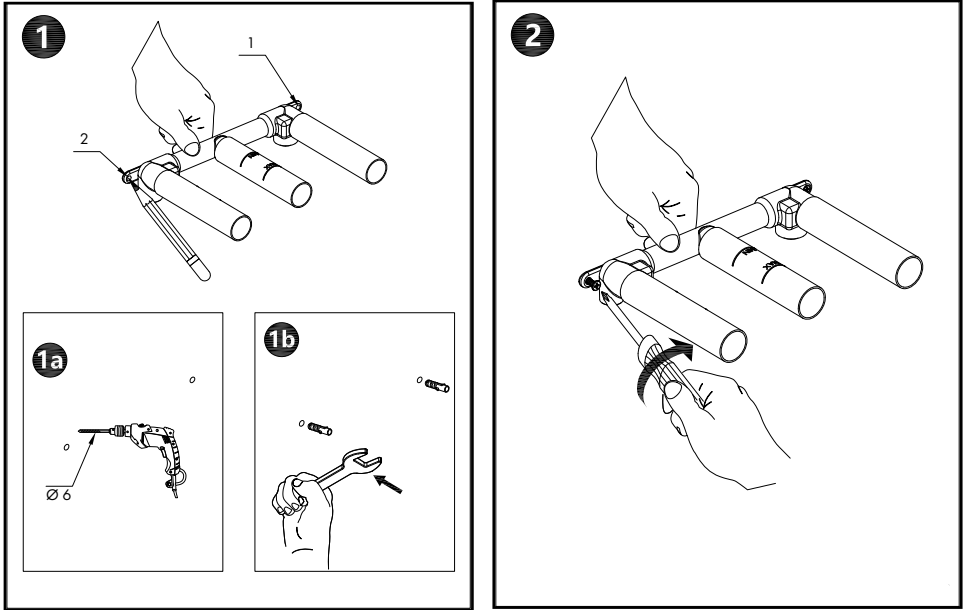
Legend:



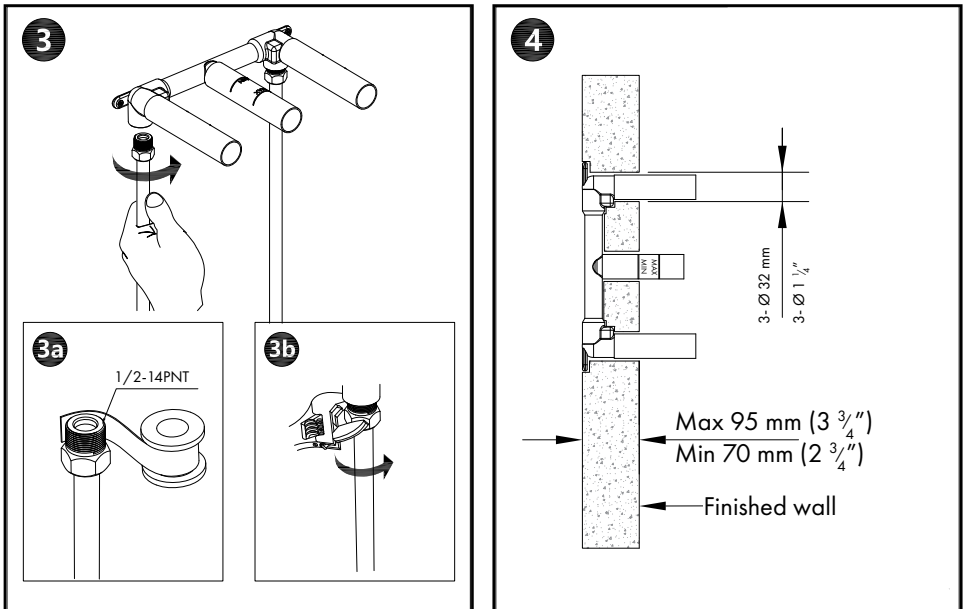
Plumber's Tape

# INSTALLATION

## Wall Mounted Double Handle Faucet



Plan where the faucet will hang on the wall. Mount rough-in to the wall.

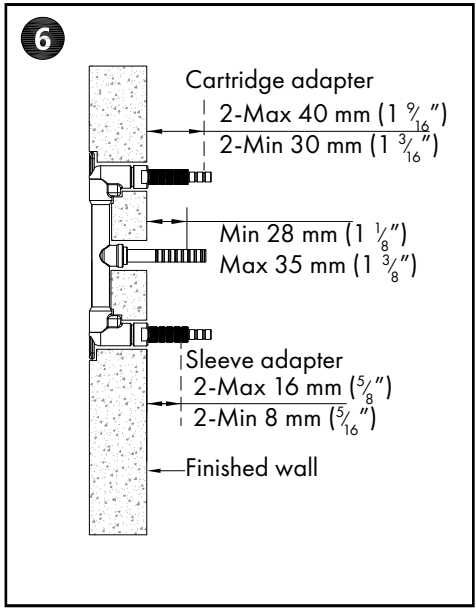
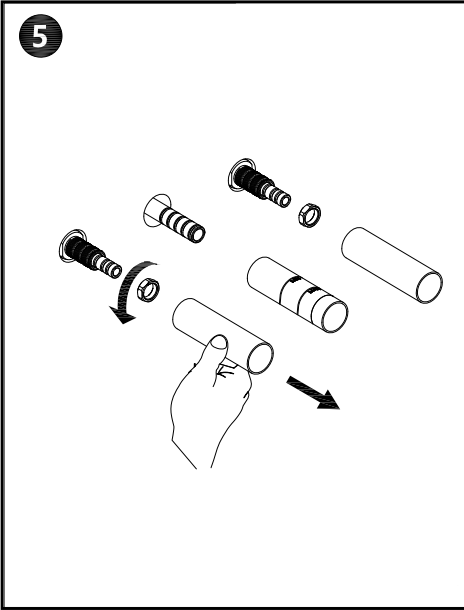


Secure the rough-in into place. Use plumber's tape to prevent leaks. See Figure 1.

Figure 1.

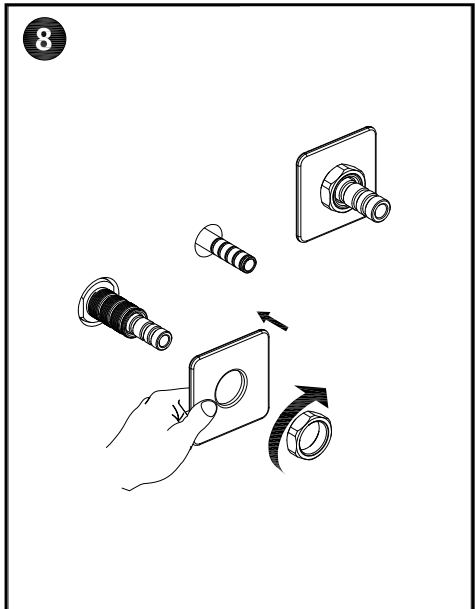
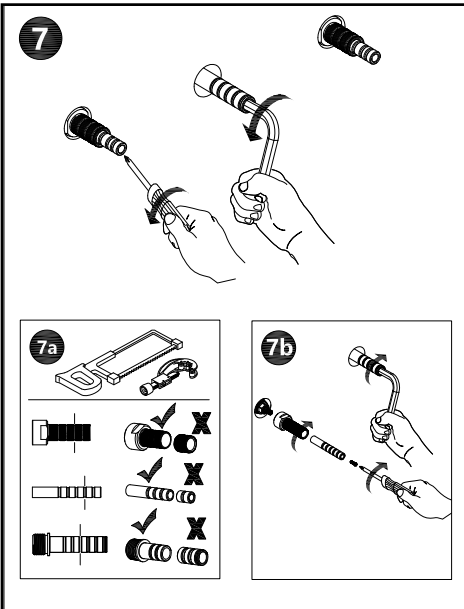
# INSTALLATION

## Wall Mounted Double Handle Faucet



Tighten rough-in components. See Figure 2.

Figure 2.

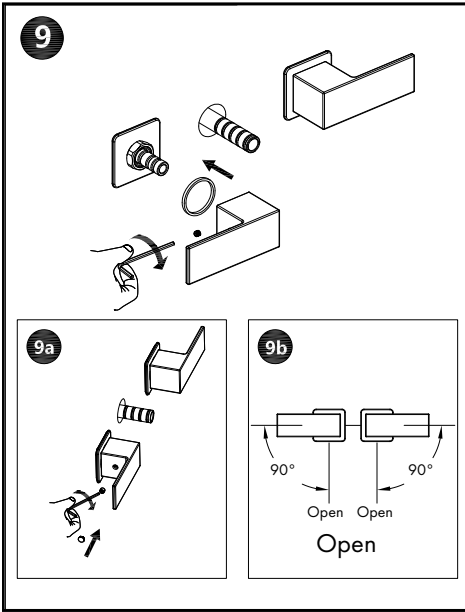


Prepare rough-in for faceplate, handle, and spout.

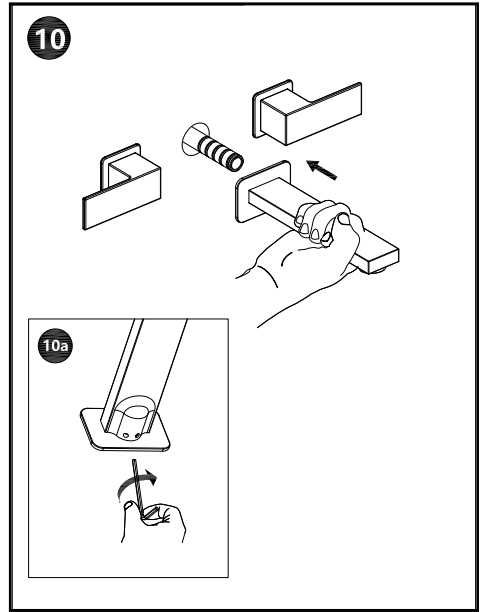
Connect the faceplate and secure into place.

# INSTALLATION

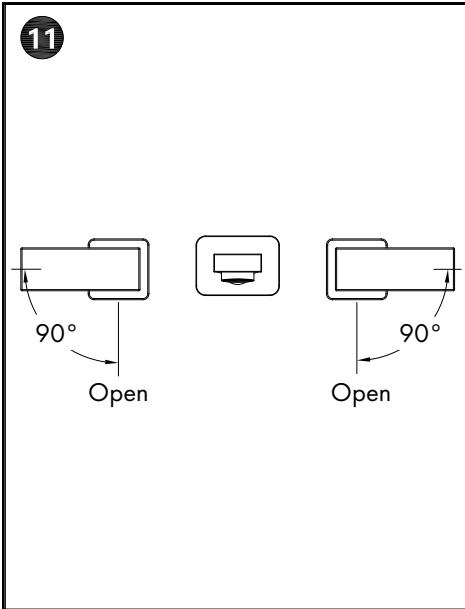
## Wall Mounted Double Handle Faucet



Connect the handles and secure into place.



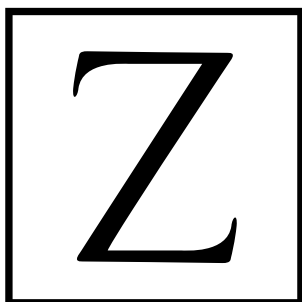
Connect the spout and secure into place.



Review the diagram to understand the hot, cold, and open settings.

# TROUBLESHOOTING

PROBLEM	POSSIBLE CAUSE	SOLUTIONS
There is leakage under the handle.	The locking nut has come loose.	Unscrew the lever on the handle by hand. Loosen set screw with a hex wrench. Remove the handle and unscrew trim cap by hand. Tighten locking nut with an adjustable wrench.
Water will not shut off completely.	Cartridge may be defective.	Unscrew the level on the handle by hand. Loosen set screw with a hex wrench. Remove the handle and unscrew trim cap by hand. Unscrew the locking nut with an adjustable wrench. Remove ceramic disc cartridge. Check for cracks.
There is a leak between the spray head and the hose.	The spray head may be loose or the washer is not seated correctly in the hose connection.	Tighten the spray head by hand until snug. Make sure the washer is seated correctly.



ZLINE

**Three Locations:**

350 Parr Circle  
Reno, NV 89512

916 Delaware Avenue  
Marysville, OH 43040

427 Rowland Mill Road  
Bruceston, TN 38317

[www.zlinekitchen.com](http://www.zlinekitchen.com)

**1-614-777-5004**