

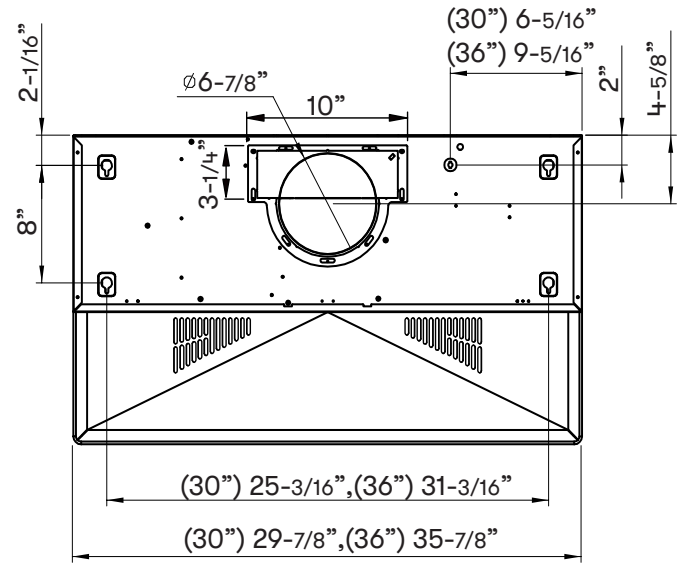
CORE

PYRAMID

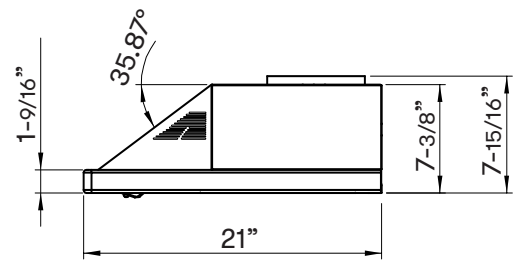
UNDER-CABINET

**ZEPHYR**

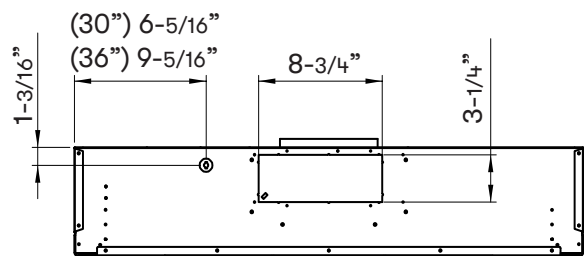
ZEPHYRONLINE.COM



TOP



SIDE



BACK

**MODEL**

Stainless Steel	ZPY-E30BS	ZPY-E36BS	ZPY-E30BS290
Size	30"	36"	30"

**BLOWER PERFORMANCE**

Blower CFM (Min. - Max.)	210 - 400	210 - 400	120 - 290
Sones (Min. - Max.)	2 - 5	2 - 5	1.1 - 3.2

**FEATURES**

Controls	Mechanical Slide	Mechanical Slide	Mechanical Slide
Speed Levels	3	3	3
Auto Delay-Off	No	No	No
Lighting	LumiLight LED, 6W x2	LumiLight LED, 6W x2	LumiLight LED, 6W x2
Dual-Level Lighting	Yes	Yes	Yes
Filters	Aluminum Mesh x2	Aluminum Mesh x2	Aluminum Mesh x2
Perimeter Aspiration System	Yes	Yes	Yes
Recirculating Option	Yes	Yes	Yes

**DUCT SPECIFICATIONS**

Vertical Internal Blower	7" Round or 3-1/4" x 10"	7" Round or 3-1/4" x 10"	7" Round or 3-1/4" x 10"
Horizontal Internal Blower	3-1/4" x 10"	3-1/4" x 10"	3-1/4" x 10"
AC POWER	120V, 60Hz at Max. 2A	120V, 60Hz at Max. 2A	120V, 60Hz at Max. 2A

**OPTIONAL ACCESSORIES**

Recirculating Kit	ZRC-00PY	ZRC-00PY	ZRC-00PY
Stainless Steel Telescopic Backsplash	AK1710	AK1716	AK1710
Damper, 7" Round	AK00067	AK00067	AK00067

<b>MOUNTING HEIGHT RANGE*</b>	24" - 32"	24" - 32"	24" - 32"
-------------------------------	-----------	-----------	-----------

**WARRANTY**

3 years parts, 1 year labor	3 years parts, 1 year labor	3 years parts, 1 year labor
-----------------------------	-----------------------------	-----------------------------

\*Mounting height refers to distance between top of a 36" tall cooking surface and bottom of hood.

**DID YOU KNOW?**

The Perimeter Aspiration System moves airflow away from the central area of the hood and evenly distributes it through narrow openings around the perimeter of the hood. This ventilation method increases air velocity and improves the capture of cooking contaminants.