



Gas Cooktop

DTG30P875N*

DTG36P875N*

WARNING: If the information in this manual is not followed exactly, a fire or explosion may result causing property damage, personal injury or death.

- **DO NOT** store or use gasoline or other flammable vapors and liquids in the vicinity of this or any other appliance.
- **WHAT TO DO IF YOU SMELL GAS:**
 - **DO NOT** try to light any appliance.
 - **DO NOT** touch any electrical switch.
 - **DO NOT** use any phone in your building.
 - Immediately call your gas supplier from a neighbor's phone. Follow the gas supplier's instructions.
 - If you cannot reach your gas supplier, call the fire department.
- Installation and service must be performed by a qualified installer, service agency, or the gas supplier.

Contents

Before you begin	3
Important safety information	3
Gas cooktop components	8
What's in the box	8
Installation requirements	10
Pre-installation checklist	10
Location requirements	10
Gas supply requirements	12
Special gas requirements (gas models sold in Massachusetts)	13
Electrical requirements	13
Installation instructions	14
Installing your gas cooktop	14
Step 1. Unpack the cooktop	14
Step 2. Installing the cooktop.	14
Step 3. Connect the cooktop to gas supply	16
Step 4. Check for gas leaks.	17
Step 5. Electrical connections.	18
Step 6. Assemble the cooktop burners.	18
Step 7. Check the ignition of cooktop burners	20
Step 8. Checking the flame quality.	20
Step 9. Install the grates.	21
Step 10. Final installation checklist	22
LP (Propane) conversion instruction	22
Supplied parts	23
Converting the pressure regulator	24
Converting the cooktop burners	25
Adjusting low flame setting on cooktop burners	26

Before you begin

About this manual

READ THESE INSTRUCTIONS COMPLETELY AND CAREFULLY.

Important note to the installer

- Read all instructions contained in these installation instructions before installing the cooktop.
- Remove all packing materials from the cooktop compartments before connecting the electric and gas supply to the cooktop.
- Observe all governing codes and ordinances.
- Be sure to leave these instructions with the consumer.
- Installation of this appliance requires basic mechanical skills.
- Proper installation is the responsibility of the installer.
- Product failure due to improper installation is not covered under the Warranty.

Important note to the consumer

Keep these instructions with your user manual for future reference.

- As when using any appliance generating heat, there are certain safety precautions you should follow.
- Be sure your cooktop is installed and grounded properly by a qualified installer or service technician.
- Make sure the wall coverings around the cooktop can withstand the heat generated by the cooktop.
- Cabinet storage space above the cooktop burners should be a minimum of 30 in (76.2 cm).

Important note to the servicer

The electrical diagram is attached inside the burner box.

Important safety information

READ ALL INSTRUCTIONS BEFORE USING THIS APPLIANCE

- All electrical and gas equipment with moving parts can be dangerous. Please read the important safety instructions for this appliance in this manual. The instructions must be followed to minimize the risk of injury, death, or property damage.
- Save this manual. Please Do Not Discard.

Symbols used in this manual

WARNING

Hazards or unsafe practices that may result in severe personal injury or death.

CAUTION

Hazards or unsafe practices that may result in electric shock, personal injury, or property damage.

NOTE

Useful tips and instructions.

These warning icons and symbols are here to prevent injury to you and others. Please follow them explicitly. After reading this section, keep it in a safe place for future reference.

Important safety information

California Proposition 65 Warning



WARNING

Cancer and Reproductive Harm - www.P65Warnings.ca.gov

Commonwealth of Massachusetts

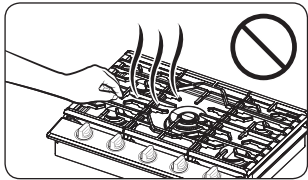
- This product must be installed by a licensed plumber or gas fitter qualified or licensed by the State of Massachusetts. When using ball-type gas shut-off valves, you must use the T-handle type. Multiple flexible gas lines must not be connected in series.

General safety



WARNING

To reduce the risk of fire, electric shock, personal injuries, and/or death, obey the following precautions.



- **Do not touch** any part of the cooktop, including but not limited to, cooktop burners, during or immediately after cooking.
- **Know** the location of the gas shut-off valve and how to shut it off.
- **Make sure** the hold down brackets are properly installed on the cooktop. See the installation instructions for more information.
- **Do not let children near**, in, or on the cooktop. Do not let children play with the cooktop or any part(s) of the cooktop. Do not leave children unattended in an area where the cooktop is in use.
- **Remove** all packaging materials from the cooktop before operating to prevent ignition of these materials. Keep all packaging materials out of children's reach. Properly dispose the packaging materials after the cooktop is unpacked.
- **Do not store** any object of interest to children on the cooktop or backguard of the cooktop. Children climbing on the cooktop to reach items could be killed or seriously injured.

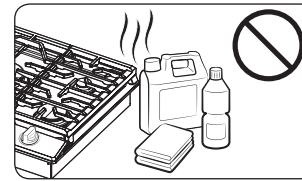
- **Do not operate** the cooktop if the cooktop or any part of the cooktop is damaged, malfunctioning, or missing parts.
- **Do not use** the cooktop as a space heater. This cooktop is to be used for cooking purposes only.
- **Use** only dry pot holders.
- **Do not use** the cooktop to heat unopened food containers.
- **Unplug** or **disconnect** power before servicing.

Fire safety



WARNING

To reduce the risk of fire, electric shock, personal injuries, and/or death, obey the following precautions.



- **Do not store, place, or use** flammable or combustible materials such as paper, plastic, pot holders, linens, curtains, gasoline or other flammable vapors or liquids near the cooktop.
- **Do not wear** loose fitting or hanging garments while using the cooktop.
- To avoid grease buildup, **regularly clean** the vents.
- **Do not let** pot holders or other flammable materials touch a heating element. Do not use a towel or other bulky cloths in place of a pot holder.
- **Do not use** water on a grease fire. To put out a grease fire, turn off the heat source and smother the fire with a tight-fitting lid or use a multipurpose dry chemical or foam-type fire extinguisher.
- **Do not heat** unopened food containers - buildup of pressure may cause container to burst and result in injury.

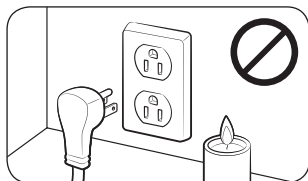
Gas safety

⚠ WARNING

To reduce the risk of fire, electric shock, personal injuries, and/or death, obey the following precautions.

If you smell gas:

- Close the valve and do not use the cooktop.
- Do not light a match, candle, or cigarette.
- Do not turn on any gas or electric appliances.



- Do not touch any electrical switches or plug a power cord into an outlet.
- Do not use any phone in your building.
- Evacuate the room, building, or area of all occupants.
- Immediately call your gas supplier from a neighbor's phone. Follow the gas supplier's instructions.
- If you cannot reach your gas supplier, call the fire department.

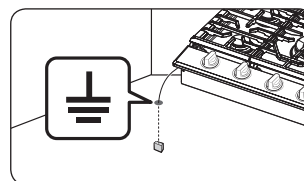
Checking for gas leaks

- Leak testing of the appliance shall be conducted according to the manufacturer's instructions. Do not use a flame to check for gas leaks. Use a brush to spread a soapy water mixture around the area you are checking. If there is a gas leak, you will see small bubbles in the soapy water mixture at the leak point.

Electrical and grounding safety

⚠ WARNING

To reduce the risk of fire, electric shock, personal injuries, and/or death, obey the following precautions.



- Plug into a grounded 3-prong outlet.
- Do not remove the ground prong.
- Do not use an adapter or an extension cord.
- Do not use a damaged power plug, power cord, or loose power outlet.
- Do not modify the power plug, power cord, or power outlet in any way.
- Do not put a fuse in a neutral or ground circuit.
- Use a dedicated 120-volt, 60-Hz, 20-amp, AC, fused electrical circuit for this cooktop. A time-delay fuse or circuit breaker is recommended. Do not plug more than one appliance into this circuit.
- Do not connect the ground wire to plastic plumbing lines, gas lines, or hot water pipes.
- This cooktop **must be Earth grounded**. In the event of a malfunction or breakdown, grounding will reduce the risk of electrical shock by providing a path for the electric current. This cooktop is equipped with a cord having a grounding plug. The plug must be firmly plugged into an outlet that is properly installed and grounded in accordance with the local codes and ordinances. If you are unsure whether your electrical outlet is properly grounded, have it checked by a licensed electrician.
- The cooktop is supplied with a 3-pronged grounded plug. This cord must be plugged into a mating, grounded 3-prong outlet that meets all local codes and ordinances. If codes permit the use of a separate ground wire, we recommend that a qualified electrician determine the proper path for this ground wire.
- Electrical service to the cooktop must conform to local codes. Barring local codes, it should meet the latest ANSI/NFPA No. 70 - Latest Revision (for the U.S.) or the Canadian Electrical Code CSA C22.1 - Latest Revisions.
- It is the personal responsibility of the cooktop owner to provide the correct electrical service for this cooktop.

Important safety information

Installation safety

WARNING

To reduce the risk of fire, electric shock, personal injuries, and/or death, obey the following precautions.

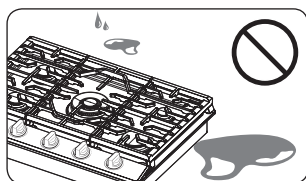
- Have your cooktop installed and properly grounded by a **qualified installer**, in accordance with the installation instructions. Any adjustment and service should be performed only by qualified gas cooktop installers or service technicians.
- **Do not attempt** to service, modify, or replace your cooktop or any part of your cooktop unless it is specifically recommended in this manual. All other service should be referred to a qualified technician.
- Always use new flexible connectors when installing a gas appliance. **Do not use** old flexible connectors.
- **Make sure** the hold down brackets are properly installed on the cooktop. See the installation instructions for more information.
- **Remove** all tape and packaging materials.
- **Remove** all accessories from the cooktop. Grates and griddles are heavy. Use caution when handling them.
- **Make sure** no parts came loose during shipping.

- **Make sure** your cooktop is correctly installed and adjusted by a qualified service technician or installer for the type of gas (natural or LP) you will use. For your cooktop to utilize LP gas, the installer must replace the 5 cooktop burner orifices with the provided LP orifice set, and reverse the GPR adapter. These adjustments must be made by a qualified service technician in accordance with the manufacturer's instructions and all codes and requirements of the authority having jurisdiction. The qualified agency performing this work assumes the gas conversion responsibility.
- Installation of this cooktop must conform with local codes or, in the absence of local codes, with the National Fuel Gas Code, ANSI Z223.1/NFPA.54, latest edition. In Canada, installation must conform with the current Natural Gas Installation Code, CAN/CGA-B149.1, or the current Propane Installation Code, CAN/CGA-B149.2, and with local codes where applicable. This cooktop has been design-certified by ETL according to ANSI Z21.1, latest edition, and Canadian Gas Association according to CAN/CGA-1.1, latest edition.

Location safety

⚠ WARNING

To reduce the risk of fire, electric shock, personal injuries, and/or death, obey the following precautions.



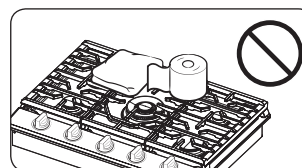
- This cooktop is for indoor, household use only. **Do not install** the cooktop in areas exposed to the weather and/or water.
- **Do not install** the cooktop in a place which is exposed to a strong draft.

- Select a location where a grounded, 3- prong outlet is easily accessible.
- If the cooktop is located near a window, **do not hang** long curtains or paper blinds on that window.
- For the cooktop to ventilate properly, there is enough clearance at the top, back, sides, and underneath the cooktop. The vents allow the necessary exhaust for the cooktop to operate properly with correct combustion.
- **Make sure** the wall coverings around the cooktop can withstand heat up to 194 °F (90 °C) generated by the cooktop.
- Cabinet storage above the surface of the cooktop should be avoided. If cabinet storage above the cooktop is necessary: allow a minimum clearance of 30 inches (76.2 cm) between the cooking surface and the bottom of cabinets.

Cooktop safety

⚠ WARNING

To reduce the risk of fire, electric shock, personal injuries, and/or death, obey the following precautions.



- **Make sure** all burners are off when not in use.
- **Do not use** aluminium foil to line the grates or any part of the cooktop.
- **Do not leave** burners unattended on medium or high heat settings.
- Before igniting, **make sure** all burner caps are properly in place and all burners are level.
- Always use the LITE position when igniting the burners and make sure the burners have ignited. If ignition fails, turn the knob to OFF and wait until the gas has dissipated.
- When you set a burner to simmer, **do not turn** the knob quickly. Make sure the flame stays on.
- **Do not** place any objects other than cookware on the cooktop.
- This cooktop is designed to cook with a wok or wok ring attachment. If foods are flamed, they should only be flamed under a ventilation hood that is on.
- Before removing or changing cookware, turn off the burners.
- Remove food and cookware immediately after cooking.
- Before removing any parts of the burner for cleaning, make sure the cooktop is off and completely cool.
- After cleaning the burner spreader, **make sure** it is completely dry before re-assembling.
- To avoid carbon monoxide poisoning, **do not pour** water into the cooktop well while cleaning.
- Select cookware that is designed for top-cooktop cooking. Use cookware that is large enough to cover the burner grates. Adjust the burner flames so that the flames do not extend beyond the bottom of the cookware.
- To avoid cookware discoloration, deformity, and/or carbon monoxide poisoning, **do not use** cookware that is exceedingly larger than the grate.
- **Make sure** cookware handles are turned to the side or rear of the cooktop, but not over other cooktop burners.

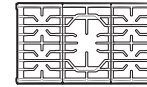
Important safety information

- Stand away from the cooktop while frying.
- Always heat frying oils slowly, and watch as they heat. If you are frying foods at high heat, carefully watch during the cooking process. If a combination of fats or oils is to be used during frying, mix them together before heating.
- Use a deep-fryer thermometer whenever possible. This prevents overheating the fryer beyond the smoking point.
- Use a minimum amount of oil when shallow pan-frying or deep-frying. Avoid cooking unfrozen food or food with excessive amounts of ice.
- Before moving cookware full of fats or oils, make sure it has completely cooled.
- To prevent delayed eruptive boiling, always allow heated liquids to stand at least 20 seconds after you have turned off the burner so that the temperature in the liquid can stabilize. In the event of scalding, follow these first aid instructions:
 1. Immerse the scalded area in cool or lukewarm water for at least 10 minutes.
 2. Do not apply any creams, oils, or lotions.
 3. Cover with a clean, dry cloth.

Gas cooktop components

What's in the box

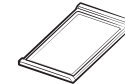
Parts supplied



Cooktop burner grates (3) *



Cooktop burners and caps (5) *



Cast-iron griddle (1) *



Wok ring (1) *



Template



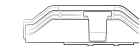
Screw (6)
(M4L10 2 ea, M4 L16 2 ea,
W³/16 L75 2 ea)



Regulator (1) *



Hold down brackets (2) *



Cover (1)



Foam tape

- Make sure you have received all of the supplied parts shown above.
- If your cooktop was damaged during shipping or you do not have all of the supplied parts, contact your local retailer.

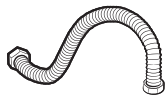
NOTE

If you need an accessory marked with *(asterisk), contact the DACOR Call Center using the phone number on the last page of this manual, or visit our online parts website: www.dacor.com

Parts needed



Gas line shut-off valve



Flexible metal appliance connector
½ in (ID) x 5 ft



Flare union adapter
¾ in or ½ in (NPT) x
½ in (ID)



Flare union adapter
½ in (NPT) x ½ in (ID)



135-degree elbow
(optional)



90-degree elbow
(optional)

Tools needed



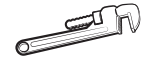
Flat-blade screwdriver



Phillips screwdriver



Open-end or adjustable wrench



Pipe wrench (2)



¼" Nut driver



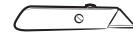
Pencil and ruler



Level



Pipe joint compound



Utility knife



Soapy water solution



Pliers



Saber saw

Installation requirements

Pre-installation checklist

1. When preparing cooktop opening, make sure the inside of the cabinet, and the cooktop do not interfere with each other.
2. Remove packing materials, grate boxes, regulator with literature, and literature package from the cooktop before beginning installation.

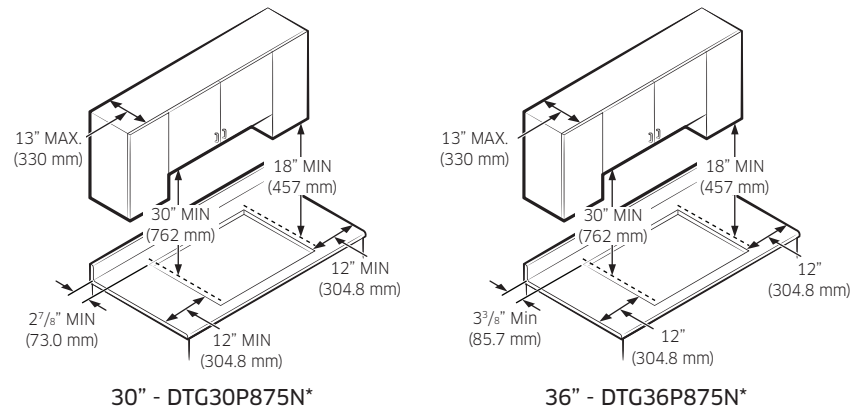
Location requirements

BEFORE YOU BEGIN to install this appliance, refer to the following information, dimensions, and clearances. These dimensions must be met for safe use of the cooktop. The location of the electrical outlet and gas piping may be adjusted to meet the following dimensions and clearances.

⚠ CAUTION

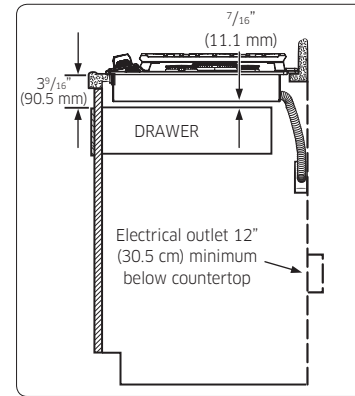
This cooktop has been designed to comply with the maximum allowable wood cabinet temperature of 194 °F (90 °C). Make sure the wall covering, countertops, and cabinets around the cooktop can withstand the heat (up to 194 °F [90 °C]) generated by the cooktop. If not, discoloration, delamination, or melting may occur.

Maintain the following minimum clearance dimensions



📖 NOTE

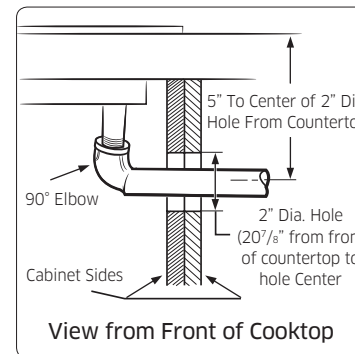
All horizontal clearances must be maintained for a minimum of 18" (457 mm) above the cooking surface.



📖 NOTE

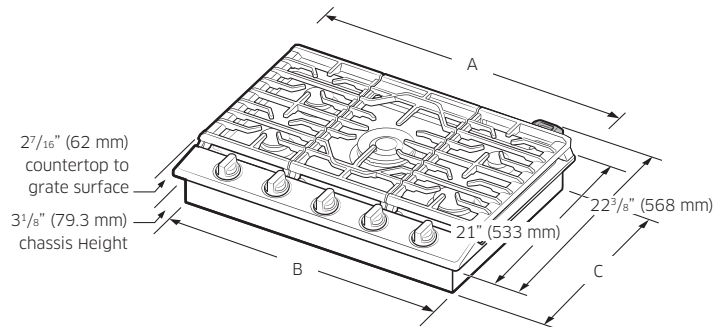
Allow 7/16" minimum vertical clearance from the cooktop bottom (or 33/16" minimum depth from the countertop) to any combustible surfaces, including the upper edge or a drawer installed below the cooktop.

Installation over built-in oven



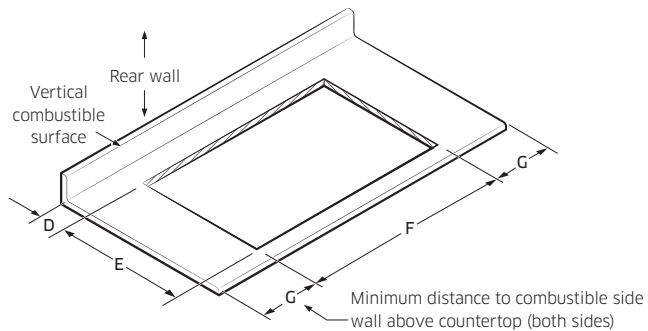
See built-in oven installation for complete installation instructions.

Overall cooktop dimensions



Model	A	B	C
DTG30P875N*	30" (762 mm)	28 ¹ / ₈ " (715 mm)	19 ³ / ₈ " (492.1 mm)
DTG36P875N*	36" (914.4 mm)	33 ¹¹ / ₁₆ " (855 mm)	18 ⁷ / ₈ " (479 mm)

Cutout dimensions of countertop

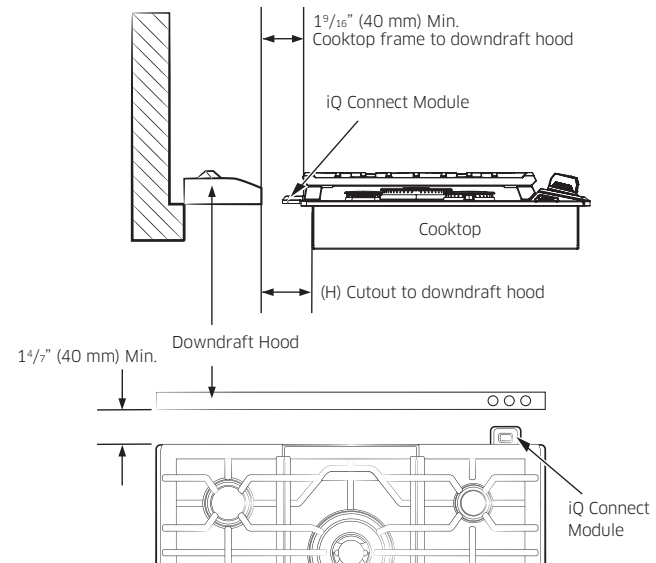


Model	(D) Min.	(E) Min.	(F) Min.	(G) Min.
DTG30P875N*	2 ⁷ / ₈ " (73 mm)	19 ⁵ / ₈ " (498.5 mm)	28 ¹ / ₂ " (723.9 mm)	12" (304.8 mm)
DTG36P875N*	3 ³ / ₈ " (85.7 mm)	19 ¹ / ₈ " (485.8 mm)	33 ⁷ / ₈ " (860.4 mm)	12" (304.8 mm)

Installation dimensions with downdraft hood

NOTE

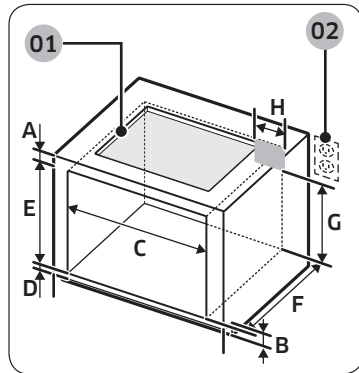
- Make sure the clearance dimensions when you install the cooktop with downdraft hood.
- The cooktop can be installed after detaching iQ Connect module. Please refer to the instruction how to detach iQ Connect module on page 15.



Model	(H) Min.
DTG30P875N*	2 ⁷ / ₁₆ " (62 mm)
DTG36P875N*	3" (76 mm)

Installation requirements

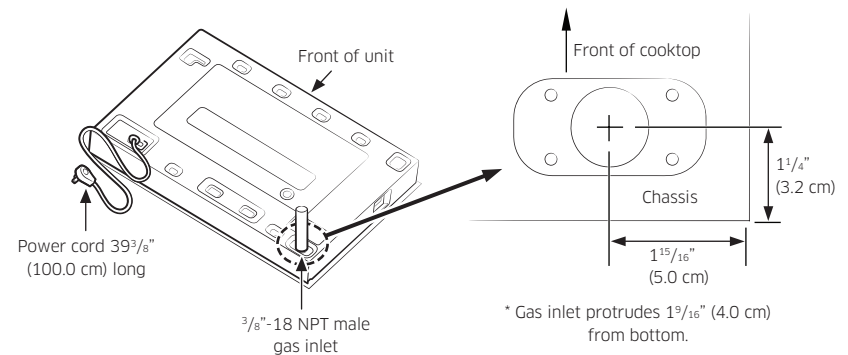
Single Oven Under counter



- 01 This cooktop can be installed above any single built-in oven. Refer to installation manual of oven.
- 02 Gas and Electrical Connections for Gas Cooktop Must be Located in an Adjacent Accessible Location to the Right.

	Size
A	Min. 3 ³ / ₄ " (9.5 cm)
B	4" (10.1 cm)
C	Min. 28 ¹ / ₂ " / Max. 28 ⁵ / ₈ " (Min. 72.4 cm / Max. 72.7 cm)
D	Min. 1" / Max. 1 ¹ / ₄ " (Min. 2.5 cm / Max. 3.2 cm)
E	Min. 27 ¹ / ₄ " / Max. 27 ³ / ₈ " (Min. 69.2 cm / Max. 69.5 cm)
F	24" (61 cm)
G	Min. 22" (Min 55.9 cm)
H	Max. 9 ¹ / ₂ " (Max. 24.1 cm) - Junction Box

Utility locations and dimensions



Gas supply requirements

Provide adequate gas supply

This cooktop is designed to operate at a pressure of 5 in (13 cm) of water column on natural gas or 10 in (25 cm) of water column on LP gas (propane or butane).

Make sure you are supplying your cooktop with the type of gas for which it is designed. **Do not attempt to convert the appliance from the gas specified in this manual to a different gas without consulting the gas supplier.**

This cooktop is convertible for use on natural or propane gas. If you decide to use this cooktop on LP gas, conversion must be made by a qualified LP installer before attempting to operate the cooktop.

For proper operation, the pressure of natural gas supplied to the regulator must be between 5 in and 13 in (13 cm and 33 cm) of water column.

For LP gas, the pressure supplied must be between 10 in and 13 in (25 cm and 33 cm) of water column.

When checking for proper operation of the regulator, the inlet pressure must be at least 1 in (2.5 cm) greater than the operating (manifold) pressure as given.

The pressure regulator located at the inlet of the cooktop manifold must remain in the supply line regardless of whether natural or LP gas is being used.

 **NOTE**

- The cooktop comes from the factory with a regulator in the shipping carton. Use only the regulator provided. The regulator must be installed in the gas line that runs from the cooktop gas inlet to the gas shut off valve.
- An external manual shut-off valve must be installed between the gas inlet and the cooktop for the purpose of turning on or shutting off gas to the appliance.
- Be sure the connectors are installed when you need coupling by a qualified installer.
- Never reuse old connectors when installing the cooktop. The use of old connectors can cause gas leaks and personal injury. Always use new flexible connectors when installing a gas appliance.

Special gas requirements (gas models sold in Massachusetts)

COMMONWEALTH OF MASSACHUSETTS REQUIREMENTS:

 **WARNING**

Gas leaks may occur in your system, creating a dangerous situation.

- Gas leaks may not be detected by smell alone.
- Gas suppliers recommend you purchase and install a UL-approved gas detector. Gas detector should be installed in accordance with the manufacturers instructions.
- Cooktop must be installed by a qualified plumber or gas fitter by the State of Massachusetts.
- A T-handle manual gas valve **MUST** be installed in the gas supply line to your cooktop.
- If a flexible gas connector is used to install your cooktop, multiple flexible gas lines must not be connected in series.

Electrical requirements

 **WARNING**

- It is the owner's responsibility to make sure that the electrical service meets electrical requirements and that the electrical outlet has been properly installed by a licensed electrician.
- To reduce the risk of fire, electric shock, or personal injury:

All cooktops

- Do not use an extension cord or adapter plug with this cooktop.
- This cooktop must be properly grounded.
- Check with a qualified electrician if you are in doubt as to whether your cooktop is properly grounded.
- Do not modify the plug provided with your cooktop – if it doesn't fit the outlet, have a proper outlet installed by a qualified electrician.
- All wiring and grounding must be done in accordance with local codes or, in the absence of local codes, with the National Electrical Code, ANSI/NFPA No. 70 - Latest Revision (for the U.S.) or the Canadian Electrical Code CSA C22.1 - Latest Revisions and local codes and ordinances.
- Wiring diagram is located on the inside of the burner box.
- This cooktop is equipped with an electronic ignition system that will not operate if plugged into an outlet that is not properly polarized.

Gas cooktops

- All gas models are equipped with a power cord with an equipment-grounding conductor and a grounding plug.
- A 120-Volt, 60-Hz, AC, approved electrical service with 20-amp circuit breaker or time-delay fuse is required for all U.S. and Canadian models.

Grounding

- All cooktops must be grounded for personal safety.
- The plug must be firmly plugged into a three-prong outlet that is properly installed and grounded in accordance with all local codes and ordinances. In the event of a malfunction or breakdown, grounding will decrease the risk of electrical shock by providing a path for the electric current.
- Do not use a damaged power plug or loose wall outlet.
- Do not use an extension cord or adapter with this appliance
- Do not, under any circumstances, cut, modify, remove, or otherwise defeat the grounding (third) prong from the power cord. If the plug and the outlet do not match or you have any doubt, have a qualified electrician install the proper outlet. The customer should have the wall receptacle and circuit checked by a qualified electrician to make sure the receptacle is properly grounded.
- NEVER connect ground wire to plastic plumbing lines, gas lines, or water pipes.

⚠ CAUTION

Failure to follow these instructions can result in death, fire, or electrical shock.

Additional installation requirements for mobile homes

The installation of appliances designed for mobile home installation must conform with the Manufactured Home Construction and Safety Standard, Title 24 CFR, Part 3280 (formerly the Federal Standard for Mobile Home Construction and Safety, Title 24, HUD, Part 280) or, when such standard is not applicable, the Standard for Manufactured Home Installations, latest edition (Manufactured Home Sites, Communities and Set-Ups), ANSI A225.1, latest edition, or with local codes. In Canada, mobile home installation must be in accordance with the current CAN/CSA Z240/MH Mobile Home Installation Code.

Installation instructions

Installing your gas cooktop

IMPORTANT:

Please read the following instructions, as well as the Important Safety Instructions section at the front of this manual, completely and carefully BEFORE installing and/or operating the gas cooktop. Improper installation, adjustment, service, or maintenance can cause personal injury or property damage.

NOTE

To ensure proper installation, we strongly recommend that you hire a professional installer.

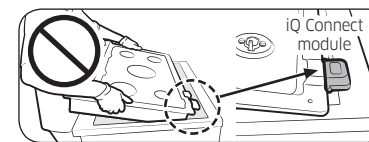
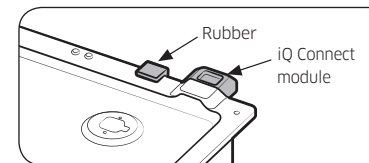
Step 1. Unpack the cooktop

Remove all packaging materials. Failure to remove packaging materials could result in damage to the appliance.

Inventory all loose parts against the Parts supplied components listed on page 8.

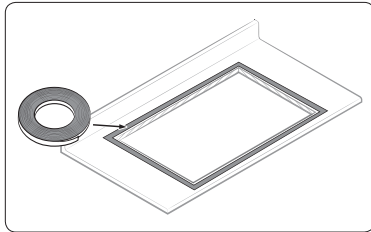
Check for shipping damage and/or missing parts. Any damage and/or missing parts should be reported to your local retailer.

Step 2. Installing the cooktop.



⚠ CAUTION

- When inserting the cooktop into the cutout opening, do not remove the rubber piece protecting iQ Connect module. Protecting rubber piece should be removed after carefully inserting the cooktop.
- When mounting the cooktop, make sure to insert the cooktop with the front side first. Inserting from the rear may damage the Wi-Fi module.



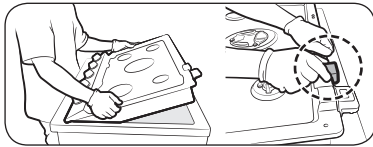
1. Locate electrical outlet and gas shut-off valve beneath cabinet.

2. Apply the foam tape around the edge of the cutout opening. Do not overlap the foam strips.

- The foam strip helps avoid damage to the underside of the cooktop from debris and helps the cooktop sit flat on uneven counters.

3. Protect surface of cooktop

- Place a towel or tablecloth onto the countertop.

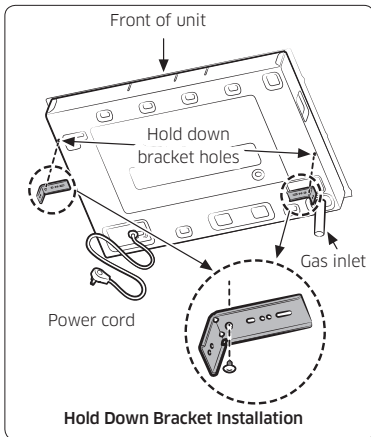


Correct installation

4. With bottom side first, gently put the cooktop down. Then, slightly lift up the rear to remove the protective rubber for the Wi-Fi module.

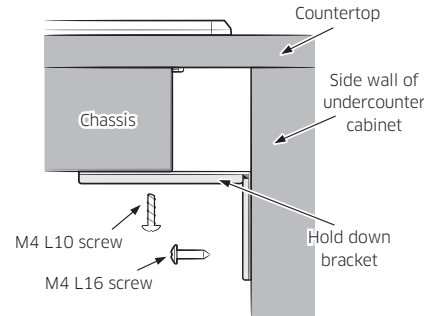
- Make sure the front of the countertop is parallel to the cooktop
- Make final check that all required clearances are met.

5. Secure the cooktop to the countertop using the two provided hold-down brackets as shown.

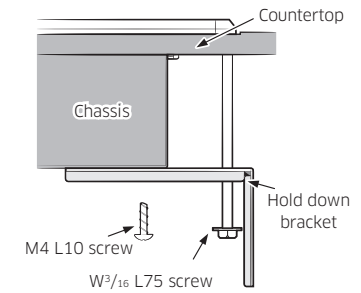


Hold down bracket install guide

Case 1.



Case 2.

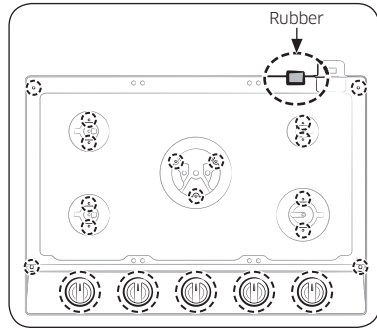


NOTE

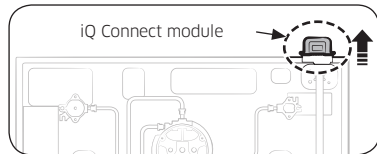
iQ Connect module can/must be detached before installation of the cooktop in following cases:

- The consumer doesn't need to iQ Connect function.
- Installation is not possible because the iQ Connect module protrudes against the rear wall of the countertop.
- The downdraft hood is installed and protrudes against the iQ Connect module. The Cover must be installed in place of iQ Connect module if iQ Connect module has been removed. Please read following instructions on how to detach iQ Connect module.

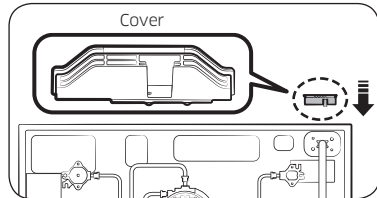
Installation instructions



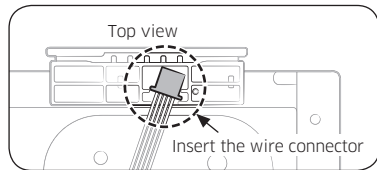
1. Remove screws from all 5 burner cups and 4 screws from the cooktop frame. Remove the rubber protecting iQ Connect module. Pull out all knob dials and lift up to remove the frame cooktop.



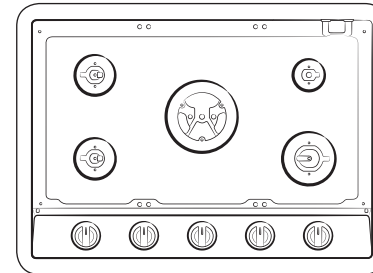
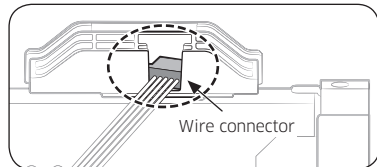
2. Detach iQ Connect module from case burner. Disconnect wire connector from the PCB.



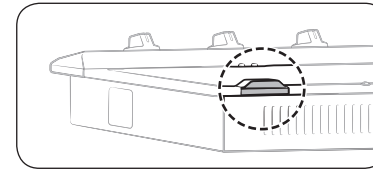
3. Install supplied cover in place of iQ Connect module.



4. Insert the wire connector diagonally into the cover. Make sure it fits firmly.



5. Return all burner cups and cooktop frame to original position, reinstall all knob dials.



Step 3. Connect the cooktop to gas supply

Shut off the main gas supply valve before disconnecting the old cooktop and leave it off until the new hookup has been completed. Don't forget to relight the burner on other gas appliances when you turn the gas back on.

Because hard piping restricts movement of the cooktop, the use of a CSA International-certified flexible metal appliance connector is recommended unless local codes require a hard-piped connection.

⚠ WARNING

If the information in this manual is not followed exactly, a fire or explosion may result, causing death, personal injury, or property damage.

- Do not store or use gasoline or other flammable vapors and liquids in the vicinity of this or any other appliance.

- WHAT TO DO IF YOU SMELL GAS:

- DO NOT light a match, candle, or cigarette.
- DO NOT try to light any appliance.
- DO NOT touch any electrical switch.
- DO NOT use any phone in your building.

- Clear the room, building, or area of all occupants.
 - Immediately call your gas supplier from a neighbor's phone. Follow the gas supplier's instructions.
 - If you cannot reach your gas supplier, call the fire department.
- Installation and service must be performed by a qualified installer, service agency, or gas supplier.
 - Do not install the cooktop without also installing the included gas regulator. Do not use the cooktop without the regulator installed.
 - Ensure that the arrow on the regulator points in the direction of the gas flow, towards the cooktop.
 - Do not apply excessive pressure when tightening gas connections and fittings.
 - Test the gas lines for leaks as instructed before use. Do not use a flame to check for leaks.

Never use an old connector when installing a new cooktop. If the hard-piping method is used, you must carefully align the pipe; the cooktop cannot be moved after the connection is made.

To prevent gas leaks, apply pipe-joint compound or wrap pipe-thread tape with Teflon on all male (external) pipe threads.

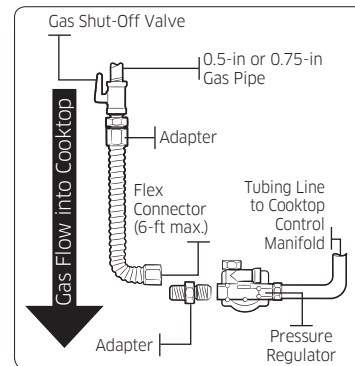
1. Attach the gas pressure regulator (included with the cooktop) to the cooktop pipe nipple inlet. For tight installations, the regulator may be installed upstream from the pipe nipple, anywhere between the shut-off valve and the cooktop. For best performance, minimize gas pressure loss by attaching the regulator as close as possible to the cooktop gas inlet.
2. Complete connection of the gas supply to the cooktop by installing a flexible gas line between the pressure regulator and the shut-off valve.

⚠ WARNING

Do not exceed 25 ft-lbs of torque when making gas line connections. Overtightening may crack the pressure regulator resulting in a gas leak.

Flexible connector hookup

Installer: Inform the consumer of the location of the gas shut-off valve.



NOTE

The gas shut-off valve should be installed in an accessible location in the gas piping, external to the appliance, for the purpose of turning on or shutting off the gas to the appliance.

Step 4. Check for gas leaks.

⚠ WARNING

To prevent death, personal injury, explosion, and/or fire hazard, DO NOT use a flame to check for gas leaks.

When using test pressures greater than ½ psig to pressure-test the gas supply system of the residence, disconnect the cooktop and individual shut-off valve from the gas supply piping. When using test pressures of ½ psig or less to test the gas supply system, simply isolate the cooktop from the gas supply system by closing the individual shut-off valve.

1. When all connections have been made, make sure all cooktop controls are in the off position and turn on the main gas supply valve.
2. Use a liquid leak detector at all joints and connections to check for leaks in the system.
3. Tighten all connections if necessary to prevent gas leakage in the cooktop or supply line.

Installation instructions

Step 5. Electrical connections.

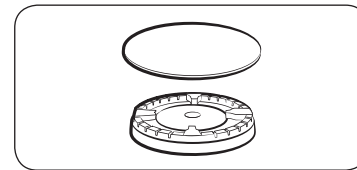
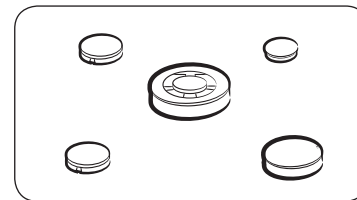
⚠ WARNING

- Disconnect all electrical power of the main circuit breaker or fuse box before installing.
 - BEFORE OPERATING OR TESTING, follow the grounding requirements on pages 14 in this manual. Improper connection of the grounding plug can result in a risk of electric shock.
 - All gas cooktops come with a power cord. The power cord is connected to the bottom of the cooktop. Please review "Electrical requirements" on pages 13.
 - The electrical system, including the power cord, is preinstalled and prewired at the factory. Altering any part of this system may result in a short or overload.
1. Plug in the power cord. Make sure the outlet meets local or national electrical codes as referenced on pages 13.
 2. Check the gas supply line to make sure it did not get damaged and it stayed connected during positioning.

Step 6. Assemble the cooktop burners.

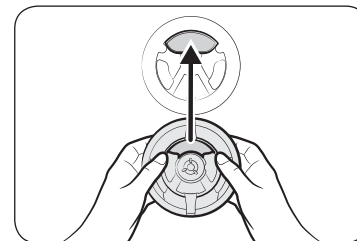
⚠ CAUTION

- Do not operate the cooktop burners without all burner parts in place.
- Be careful not to push in any cooktop controls while removing the cooktop burner. A slight electrical shock might result which could cause you to knock over hot cookware.
- Do not remove the top or touch the electrode of any burner while another burner is turned on. Electrical shock might result.

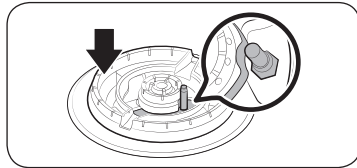


1. Position cooktop burner heads on top of the cooktop burner manifolds as shown on the right. The electrodes will fit into the slot in the bottom of the heads. Make sure the cooktop burner heads are flat and parallel with the cooktop.
2. Place the matching size caps on top of each cooktop burner head.

Dual Burner head

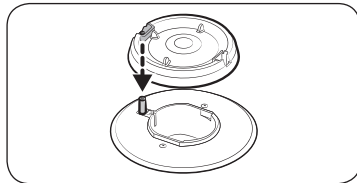


1. As shown, insert the marked area of burner head into the matching area of burner cup so that they line up.

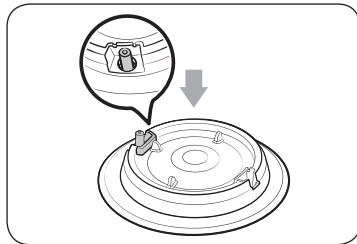


2. Install the burner head so that the electrode passes through the opening for the electrode. Make sure the burner head lies flat on the stove top.

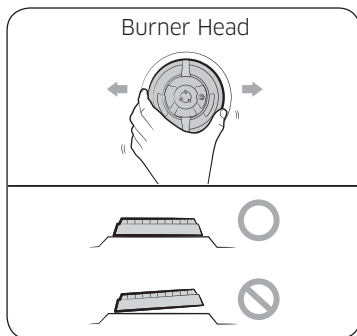
Round Burner head



1. Orient the burner head so that the opening for the electrode lines up with the electrode.



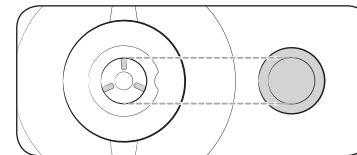
2. Install the burner head so that the electrode passes through the opening for the electrode. Make sure the burner head lies flat on the stove top.



⚠ CAUTION

Make sure all burner components (heads and caps) are reinstalled properly. They will be stable and rest flat when correctly installed.

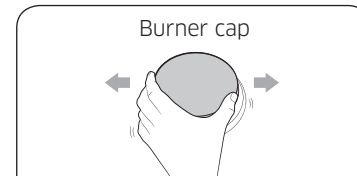
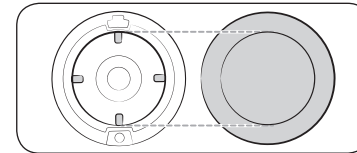
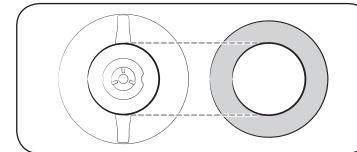
Burner Cap



1. Match the burner caps to the burners by size, and then re-install the caps on the burner heads.

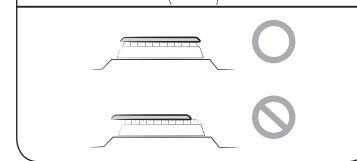
⚠ CAUTION

Make sure each cap is re-installed on the correct burner head, is centered on the burner head, and lies flat.



⚠ CAUTION

Make sure all burner components (heads and caps) are reinstalled properly. They will be stable and rest flat when correctly installed.



Top	Bottom

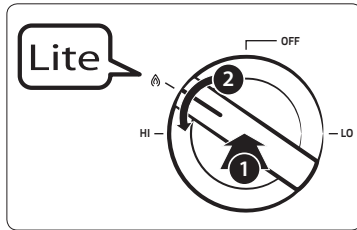
📖 NOTE

The precise simmer burner (RR) cap and the inner Dual burner (Center) cap are interchangeable.

Installation instructions

Step 7. Check the ignition of cooktop burners

Check the operation of all cooktop burners after the cooktop has been installed and assembled, gas supply lines have been carefully checked for leaks, and electrical power cord has been plugged in.



To turn on a cooktop burner

1. Push in and turn the control knob for that cooktop burner to the Lite position. The “clicking” sound indicates the electronic ignition system is operating properly. The burner will light in about 4 seconds, after the air has been purged from the supply line .
2. After the burner lights, turn the control knob to the desired setting. The “clicking” sound will stop and the flame height will change from Max. to Min. during turning the control knob.
3. Repeat steps 1 and 2 to check the operation of each cooktop burner in succession.

NOTE

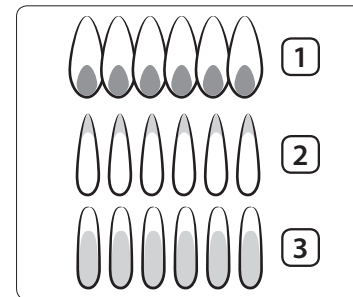
- If the burner does not light within 4 seconds, turn the knob off and wait one minute before trying again.
- When you push in and turn the control knob, all spark igniters will make a series of sparks, but only the burner turned to Lite will light.

Step 8. Checking the flame quality.

All combustion flames need to be visually checked to determine their flame quality.

CAUTION

If you attempt to measure the flame, please use caution. Burns could result.



1. **Soft blue flames**—Normal for natural gas operation.
2. **Yellow tips on outer cones**—Normal for LP gas operation.
3. **Yellow flames**—Abnormal for any gas operation; call for service.

NOTE

If burner flame looks like 3, the cooktop should not be used until it is serviced. Call for service. Normal burner flames shall look like 1 or 2, depending on the gas type you use.

Step 9. Install the grates.

NOTE

Install the grates as instructed below for longest life. When installed properly, the openings in the grates are centered over the burners.

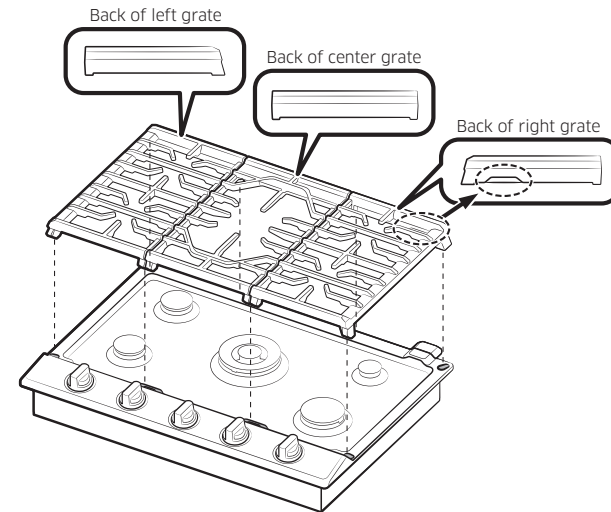
The three cooktop grates are designed to fit in specific positions on the cooktop. For maximum stability, these grates should only be used in their proper positions.

- Please place the grate marked with the letter 'L' on the left side, and the one with the letter 'R' on the right side.
- The middle grate must be installed with the filled-in section, marked 'BACK', oriented towards the back of the cooktop.

The back of the right grate is notched to help you orient the grates correctly. See the illustration below.

To replace the grates correctly, follow these steps:

1. Locate the notch on the back of the right grate.
2. Orient the right grate so that it is on the right side of the cooktop with the notch in the back.
3. Gently lower the legs of the right grate into the corresponding dimples on the cooktop.
4. Gently lower the legs of the remaining two grates into the corresponding dimples on the cooktop as shown in the illustration.



Installation instructions

Step 10. Final installation checklist

⚠ WARNING

- To ensure a safe and proper installation, the following checklist should be completed by the installer to ensure that no part of the installation has been overlooked.
- Proper installation is the responsibility of the homeowner. The importance of proper installation of your Dacor cooktop cannot be overemphasized.

You have just completed installing your cooktop. Make sure all control knobs are in the off position. The following is a checklist to confirm your cooktop is safely installed and ready for operation.

- Gas line has been properly connected to the cooktop. The gas has been turned on.
All connections have been checked for leaks.
- The cooktop is plugged into the properly grounded electrical receptacle.
- The cooktop burners and grates have been properly assembled.
- All burners have been tested for proper operation.

LP (Propane) conversion instruction

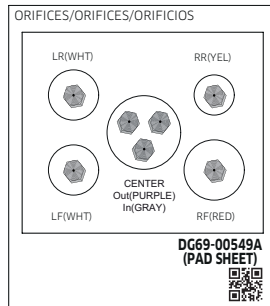
⚠ WARNING

- This conversion must be performed by a qualified installer or gas supplier in accordance with the manufacturer's instructions and all codes and requirements of the authority having jurisdiction. Failure to follow ALL instructions could result in serious injury or property damage. The qualified agency performing this work assumes responsibility for the conversion.
- Know the location of the gas shut-off valve and how to shut it off if necessary.
- Unplug or disconnect power before servicing.
- Do not operate the cooktop burners when using LP gas before converting the pressure regulator and burner orifices for LP gas use. Failure to do so could cause high flames and toxic fumes which can result in serious injury.
- Do not mix up or substitute LP gas burner orifices during conversion process. Improper orifice placement will effect burner and cooking performance and could result in personal injury and/or product damage.

All DACOR gas cooktops are manufactured and shipped to be used with natural gas. The cooktop are also shipped with LP Conversion Kits, so the cooktop can be converted to be used with LP gas. The kits consist of a set of properly-sized burner orifices to be used in the cooktop burners. These orifices will be positioned in a sheet of cardboard and placed in a plastic bag. The bag is placed with a user manual. The orifice in the pressure regulator is a dual-purpose orifice, one side for natural gas and the other for LP gas.

Supplied parts

The following parts make up the LP conversion kit:



DTG30P875N*/DTG36P875N*

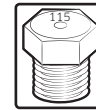
The all orifices' positions are marked on the provided sheet. The spud in the pressure regulator is factory-installed for Natural Gas (NG) use. LP conversion requires spud removal and reinstallation for LP use.

BURNER ORIFICE SIZES AND OUTPUT RATINGS (LP Gas [Propane] 10 in WCP)		
Burner Location	BTU Rate	Orifice size [mm]
RF	11,500	1.04
LF	7,500	0.83
RR	4,000	0.62
LR	7,500	0.83
Center	14,500	In: 0.46 / Out: 0.74 (2 pcs)

BURNER ORIFICE SIZES AND OUTPUT RATINGS
(Natural Gas 5 in WCP)

Burner Location	BTU Rate	Orifice size [mm]
RF	13,000	1.64
LF	9,500	1.40
RR	5,000	1.01
LR	9,500	1.40
Center	19,000	In: 0.70 / Out: 1.30 (2 pcs)

NOTE



Orifice markings:

115 - Denotes 1.15 mm orifice size opening.

Installation instructions

Required tools



Adjustable wrench



1/2" open-end wrench



Screwdrivers: Phillips



Small flat-bladed
precision screwdriver



Nut drivers: 9/32" or 7
mm

To convert your for use with LP gas, perform the following steps and procedures:

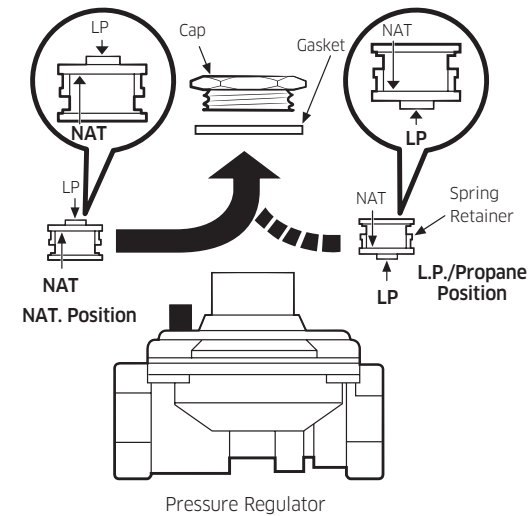
1. Disconnect electrical power to the cooktop. Unplug the cooktop power cord, trip the circuit breaker, or remove the fuse from the fuse box.
2. Shut off the gas supply to the cooktop. Close the manual shut-off valve to the cooktop.

Converting the pressure regulator

NOTE

If you are using LP gas to fuel the cooktop, the following steps and conversions must be made before the flames can be adjusted.

1. Using your fingers, turn the cap. And carefully look at the spring retainer to locate the NAT or LP position.



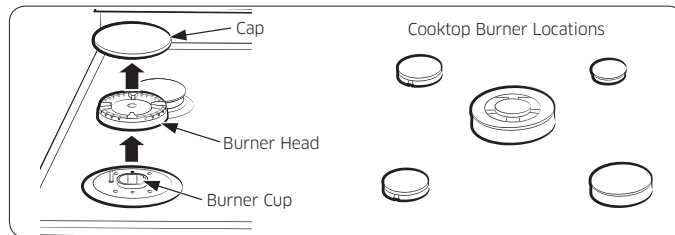
2. Turn the spring retainer over by rotating it 90 deg., pull it from the cap, turn the spring retainer over so that LP is showing, insert it back into the cap, and then rotate it 90 deg. Into position.
3. Screw the cap back onto the regulator and tighten.

Converting the cooktop burners

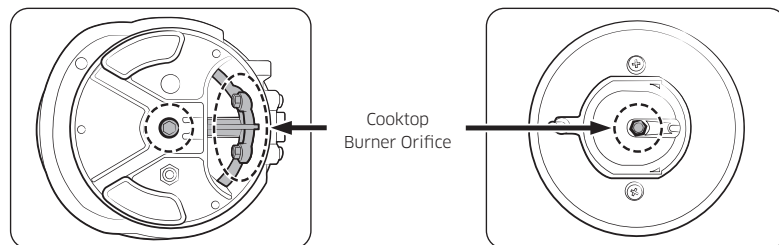
NOTE

If you are using LP gas to fuel the cooktop, the following steps and conversions must be made before the flames can be adjusted.

1. Lift off the cooktop burner caps and the cooktop burner heads from the cooktop burner manifold cups.



2. Using a $\frac{9}{32}$ " or 7 mm nut driver, remove the burner orifice from the bottom of each burner manifold cup.



NOTE

Save these orifices and note their positions for future conversions back to natural gas.

3. Locate the LP conversion orifices that were shipped with the cooktop.
4. Identify the proper orifice by orifice size for each of the cooktop burners.
5. Install the proper orifices in each of the burner manifold cups and tighten with a $\frac{9}{32}$ " or 7 mm nut driver.

NOTE

Any other placement of orifices could result in dangerous operating conditions and/or poor cooking results.

6. Set all burner heads on top of the manifold cups in the same location as they were removed. The hole on the side of the burner heads goes over the electrodes. The burner heads are correctly installed when they are flat on the top of the manifold cups.
7. Set all burner caps on top of the burner heads. These are also flat when they are installed to ensure proper safe operation.

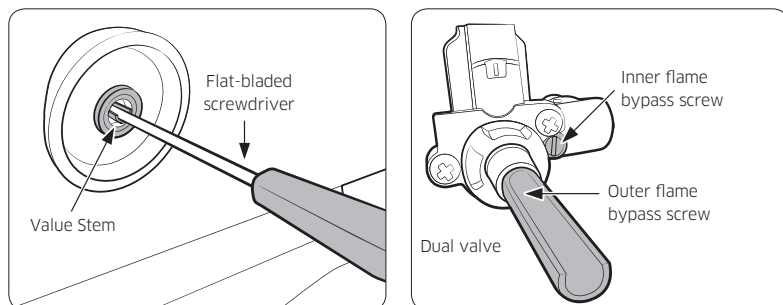
Installation instructions

Adjusting low flame setting on cooktop burners

All Cooktop burner flames should be checked at their lowest setting. Use the following steps to check and adjust the cooktop burner settings.

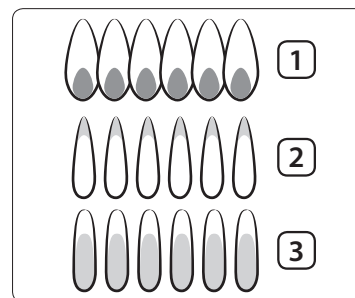
NOTES

- Low setting adjustments should always be made with two or more burners operating at the same time.
 - Call for service when you need to adjust the inner flame of the cooktop center burner settings.
1. Turn on two or more cooktop burners and set them between MED and HI.
 2. Quickly turn one of the control knobs counterclockwise to the lowest setting. The flame should stay lit. If the flame flutters or goes out, adjust the bypass valve on the control valve for that burner.
 3. Pull the control knob for that burner straight off.
 4. Using a small flat-bladed screwdriver, adjust the bypass valve screw in the base of the valve stem. Turn the bypass valve screw counter clockwise to increase the flame size.



5. Replace control knob and recheck the low flame setting.
6. Repeat step 1 thru 5 to check and adjust the low flame settings on the remaining cooktop burners.

Combustion flame quality



1. **Soft blue flames**—Normal for natural gas operation.
2. **Yellow tips on outer cones**—Normal for LP gas operation.
3. **Yellow flames**—Abnormal for any gas operation. Further adjustment required.

Additional low flame check

1. Quickly open and close the cabinet door while the cooktop burner is set on LO. If the flame is extinguished, increase the low flame setting and repeat the test until the flame is stable.
2. Turn the knob from HI to the lowest setting quickly. If the flame goes out at the lowest setting, increase the low flame setting and repeat the test until the flame is stable.

WARNING

1. Do not completely remove the valve set screw from the valve stem. The valve set screw is an integral part of the gas valve assembly. Removing the valve set screw will cause gas to leak.
2. After adjusting the valve set screw, inspect the assembly for gas leaks.

Memo

Memo

Memo



Dear Valued Customer,

Thank you for purchasing Dacor. We hope our products empower your passion for cooking!

Inside this box is a set of brass burner caps. These caps are meant to provide an elegant look to your new Dacor product. These caps may be used for cooking, but please know beforehand that they will discolor when used. This is a natural reaction of brass when it comes in contact with the gas flame. We have also included a set of black porcelain burner caps with this product in case you are concerned about the discoloration. Discoloration of burner caps is not covered under our warranty, but new burner caps may be ordered from us if necessary.

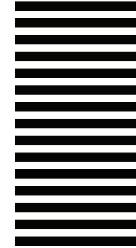
We truly hope you enjoy many years of great cooking with your Dacor. If we can be of service, please contact our team at 833-35-ELITE (833-353-5483).

Sincerely,

The Dacor Customer Service Team



NO POSTAGE
NECESSARY
IF MAILED
IN THE
UNITED STATES



BUSINESS REPLY MAIL
FIRST-CLASS MAIL PERMIT NO 1600 CITY OF INDUSTRY CA
POSTAGE WILL BE PAID BY ADDRESSEE

DACOR
ATTN: WARRANTY PROCESSING DEPT
PO BOX 90070
CITY OF INDUSTRY, CA 91715-9907





Please visit www.Dacor.com to activate your warranty online.

WARRANTY INFORMATION

cut here



IMPORTANT:

Your warranty will not begin until you activate it online or return this form to Dacor. If you have purchased more than one Dacor product, please return all forms in one envelope, or activate the warranty for each product online.

Please rest assured that under no conditions will Dacor sell your name or any of the information on this form for mailing list purposes. We are very grateful that you have chosen Dacor products for your home and we do not consider the sale of such information to be a proper way of expressing our gratitude!

Owner's Name:

Street: _____
Last (Please Print or Type) First Middle

City: _____ State: _____

Zip: _____

Purchase Date: _____ Email: _____

Telephone: _____

Dealer: _____

City: _____ State: _____

Zip: _____

Your willingness to take a few seconds to fill in the section below will be sincerely appreciated. Thank you.

1. How were you first exposed to Dacor products? (Please check one only.)

- A. T.V. Cooking Show
- B. Magazine
- C. Appliance Dealer Showroom
- D. Kitchen Dealer Showroom
- E. Home Show
- F. Builder
- G. Architect/Designer
- H. Another Dacor Owner
- I. Model Home
- J. Other _____

2. Where did you buy your Dacor appliances?

- A. Appliance Dealer
- B. Kitchen Dealer
- C. Builder Supplier
- D. Builder
- E. Other _____

cut here

3. For what purpose was the product purchased?

- A. Replacement **only**
- B. Part of a Remodel
- C. New Home
- D. Other _____

4. What is your household income?

- A. Under \$75,000
- B. \$75,000 - \$100,000
- C. \$100,000 - \$150,000
- D. \$150,000 - \$200,000
- E. \$200,000 - \$250,000
- F. Over \$250,000

5. What are the brands of appliances that you have in your kitchen?

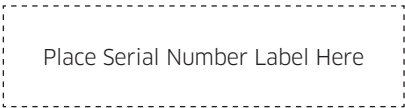
- A. Cooktop _____
- B. Oven _____
- C. Dishwasher _____
- D. Refrigerator _____

6. Would you buy or recommend another Dacor product?

- Yes
- No

Comments: _____

Thank you very much for your assistance. The information you have provided will be extremely valuable in helping us plan for the future and giving you the support you deserve.

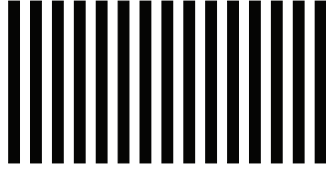


Website: www.Dacor.com

Phone: 833-35-ELITE (833-353-5483)



NO POSTAGE
NECESSARY
IF MAILED
IN THE
UNITED STATES



BUSINESS REPLY MAIL
FIRST-CLASS MAIL PERMIT NO. 1600 CITY OF INDUSTRY CA

POSTAGE WILL BE PAID BY ADDRESSEE

DACOR
ATTN: WARRANTY PROCESSING DEPT
PO BOX 90070
CITY OF INDUSTRY, CA 91715-9907



fold here



DG68-01286A-00



Dacor • 14425 Clark Avenue, City of Industry, CA 91745
• Phone: 833-35-ELITE (833-353-5483) • Fax: (626) 403-3130 • www.dacor.com

dacor[®]

Manual de instalación

Cubierta de cocción a gas

DTG30P875N*

DTG36P875N*

ADVERTENCIA: Si no se sigue la información de este manual con exactitud, podrían producirse incendios o explosiones que causen daños a la propiedad, lesiones personales o muerte.

- **NO** debe almacenarse ni utilizarse gasolina u otros líquidos y vapores inflamables cerca de este u otros artefactos.
- **QUÉ HACER SI HAY OLOR A GAS:**
 - **NO** intente encender ningún artefacto.
 - **NO** toque ningún interruptor eléctrico.
 - **NO** utilice ningún teléfono dentro del edificio.
 - Llame inmediatamente al proveedor de gas desde el teléfono de un vecino. Siga las instrucciones del proveedor de gas.
 - Si no puede comunicarse con el proveedor de gas, llame al departamento de bomberos.
- La instalación y el servicio técnico deben ser realizados por un instalador calificado, agencias de servicio técnico o el proveedor de gas.

Contenido

Antes de comenzar	3
Información importante de seguridad	3
Componentes de la cubierta de cocción a gas	8
Contenido de la caja	8
Requisitos de instalación	10
Lista de verificación antes de la instalación	10
Requisitos de ubicación	10
Requisitos para el suministro de gas	12
Requisitos especiales para el gas (modelos a gas vendidos en Massachusetts)	13
Requisitos eléctricos	13
Instrucciones de instalación	14
Instalación de la cubierta de cocción a gas	14
Paso 1. Desempaque de la cubierta.	14
Paso 2. Instalación de la cubierta.	14
Paso 3. Conexión de la cubierta al suministro de gas.	16
Paso 4. Verificación de fugas de gas.	17
Paso 5. Conexiones eléctricas.	18
Paso 6. Montaje de los quemadores de la cubierta.	18
Paso 7. Verificación del encendido de los quemadores.	20
Paso 8. Verificación de la calidad de la llama.	20
Paso 9. Instalación de las rejillas.	21
Paso 10. Lista de verificación final de la instalación.	22
Instrucciones de conversión a LP (Propano)	22
Piezas suministradas	23
Cómo convertir el regulador de presión	24
Conversión de los quemadores de la cubierta	25
Ajuste de la configuración de llama baja en los quemadores de la cubierta	26

Antes de comenzar

Acerca de este manual

LEA ESTAS INSTRUCCIONES EN SU TOTALIDAD Y CUIDADOSAMENTE.

Nota importante para el instalador

- Lea todas las instrucciones de este manual antes de instalar la cubierta.
- Retire todos los materiales de empaque de los compartimientos de la cubierta antes de conectar la alimentación eléctrica y el suministro de gas a la cubierta.
- Cumpla todos los códigos y ordenanzas exigidos por las autoridades pertinentes.
- Asegúrese de dejarle estas instrucciones al consumidor.
- La instalación de este artefacto requiere conocimientos mecánicos básicos.
- La instalación adecuada es responsabilidad del instalador.
- La falla del producto debido a una instalación inadecuada no está cubierta por la Garantía.

Nota importante para el consumidor

Conserve estas instrucciones con el manual del usuario para consultas futuras.

- Como con cualquier artefacto que genera calor, existen ciertas precauciones de seguridad que se deben cumplir.
- Asegúrese de que su cubierta sea correctamente instalada y conectada a tierra por un técnico de servicio o un instalador calificado.
- Asegúrese de que los revestimientos de las paredes alrededor de la cubierta puedan soportar el calor que esta genera.
- Los gabinetes de almacenamiento deben colocarse a un mínimo de 30 pulgadas (76.2 cm) por encima de los quemadores de la cubierta.

Nota importante para el servicio técnico

El diagrama eléctrico se adjunta dentro de la caja del quemador.

Información importante de seguridad

LEA TODAS LAS INSTRUCCIONES ANTES DE USAR ESTE ARTEFACTO

- Todos los equipos eléctricos y a gas con piezas móviles pueden ser peligrosos. Lea las instrucciones de seguridad importantes para este artefacto incluidas en este manual. Se deben seguir las instrucciones a fin de minimizar el riesgo de lesión, muerte o daño a la propiedad.
- Guarde este manual. No lo deseche.

Símbolos usados en este manual

ADVERTENCIA

Prácticas peligrosas o inseguras que pueden provocar lesiones personales graves o la muerte.

PRECAUCIÓN

Prácticas peligrosas o inseguras que pueden provocar descargas eléctricas, lesiones personales o daños a la propiedad.

NOTA

Instrucciones y sugerencias útiles.

Estos iconos y símbolos de advertencia se incluyen para evitar que usted u otras personas sufran lesiones. Sígalos explícitamente. Una vez que haya leído esta sección, consérvela en un lugar seguro para consultas futuras.

Información importante de seguridad

California Proposición 65 Advertencia



ADVERTENCIA

Cáncer y Daño Reproductivo - www.P65Warnings.ca.gov

Mancomunidad de Massachusetts

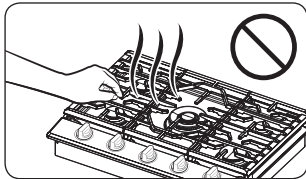
- Este producto debe ser instalado por un plomero con licencia o un gasista matriculado o con licencia del Estado de Massachusetts. Cuando se utilicen válvulas de bola para el cierre del gas, se debe usar una manija en forma de "T". No deben conectarse varios conductos flexibles de gas en serie.

Seguridad general



ADVERTENCIA

Para reducir el riesgo de incendio, descarga eléctrica, lesiones personales y muerte, obedezca las siguientes precauciones.



- **No toque** ninguna parte de la cubierta, por ejemplo los quemadores, durante la cocción o inmediatamente después de cocinar.
- **Debe conocer** la ubicación de la válvula de cierre del gas y cómo cerrarla si es necesario.

- **Asegúrese** de que los soportes de sujeción a presión estén instalados correctamente en la cubierta. Consulte las instrucciones de instalación para obtener más información.
- **No permita** que los niños se acerquen a la cubierta ni que se metan o se paren sobre ella. No permita que los niños jueguen con la cubierta ni con ninguna parte de la misma. Los niños no deben quedar sin vigilancia en el lugar donde se utiliza la cubierta.
- **Quite** todos los materiales de empaque de la cubierta antes de utilizarla para evitar que se incendien. Mantenga todos los materiales de empaque fuera del alcance de los niños. Deseche adecuadamente los materiales de empaque luego de desembalar la cubierta.
- **No guarde** ningún objeto que resulte de interés para los niños sobre la cubierta o el protector posterior de la cubierta. Si los niños se trepan a la cubierta para alcanzar un objeto podrían morir o resultar seriamente lesionados.

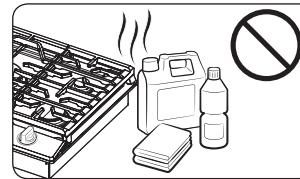
- **No opere** la cubierta si esta o alguna de sus partes se encuentra dañada, no funciona correctamente o si falta alguna pieza.
- **No utilice** la cubierta como calefactor del ambiente. Esta cubierta se debe usar exclusivamente para cocinar.
- **Utilice** únicamente agarradores aislantes secos.
- **No utilice** la cubierta para calentar recipientes cerrados con alimentos.
- **Desenchufe** o **desconecte** la alimentación antes de realizar tareas de mantenimiento o reparación.

Seguridad contra incendios



ADVERTENCIA

Para reducir el riesgo de incendio, descarga eléctrica, lesiones personales y muerte, obedezca las siguientes precauciones.



- **No guarde, coloque ni use** materiales inflamables o combustibles como papel, plástico, agarradores aislantes, ropa de cama, cortinas, gasolina u otros vapores o líquidos inflamables cerca de la cubierta.
- **No lleve** prendas amplias o colgantes mientras utiliza la cubierta.
- Para evitar la acumulación de grasa, **limpie regularmente** las ventilaciones.
- **No permita** que agarradores aislantes u otros materiales inflamables entren en contacto con el elemento calentador. No utilice una toalla u otras telas voluminosas como agarrador aislante.
- **No use** agua para apagar un fuego provocado por la grasa. Para extinguir el fuego de la materia grasa, apague la fuente de calor y sofoque el fuego con una tapa que ajuste bien o utilice un extinguidor de incendios de polvo químico seco o de espuma para usos diversos.
- **No caliente** recipientes cerrados con alimentos. La acumulación de presión puede causar que el recipiente explote y provocar lesiones.

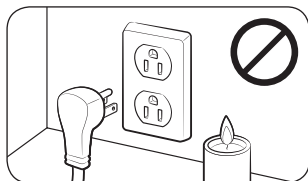
Seguridad del gas

⚠️ ADVERTENCIA

Para reducir el riesgo de incendio, descarga eléctrica, lesiones personales y muerte, obedezca las siguientes precauciones.

Si hay olor a gas:

- Cierre la válvula y no use la cubierta.
- No encienda cerillos, velas ni cigarrillos.
- No encienda ningún artefacto eléctrico o a gas.



- No toque ningún interruptor eléctrico ni enchufe el cable de alimentación en un tomacorriente.
- No utilice ningún teléfono dentro del edificio.
- Evacúe a todos los ocupantes del ambiente, edificio o área.
- Llame inmediatamente al proveedor de gas desde el teléfono de un vecino. Siga las instrucciones del proveedor de gas.
- Si no puede comunicarse con el proveedor de gas, llame al departamento de bomberos.

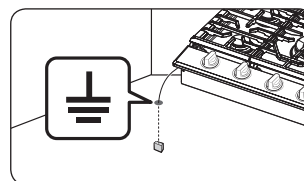
Verificación de fugas de gas

- La prueba de fugas del artefacto debe ser realizada de acuerdo con las instrucciones del fabricante. No utilice una llama para verificar si hay fugas de gas. Utilice un cepillo para esparcir una mezcla de agua jabonosa alrededor del área que está verificando. Si hay una fuga de gas, verá pequeñas burbujas en la mezcla de agua jabonosa en el punto de la pérdida.

Seguridad de la electricidad y la conexión a tierra

⚠️ ADVERTENCIA

Para reducir el riesgo de incendio, descarga eléctrica, lesiones personales y muerte, obedezca las siguientes precauciones.



- Enchufe el artefacto a un tomacorriente de 3 clavijas conectado a tierra.
- No retire la clavija de conexión a tierra.
- No utilice un adaptador ni un cable prolongador.
- No utilice un enchufe o un cable de alimentación dañado ni un tomacorriente flojo.
- No modifique el enchufe, el cable de alimentación ni el tomacorriente de ninguna manera.
- No coloque un fusible en el circuito neutral o de conexión a tierra.
- Utilice un circuito eléctrico exclusivo de CA, 120 voltios, 60 Hz, 20 A y equipado con fusibles para esta cubierta. Se recomienda un fusible de retardo o un disyuntor. No conecte más de un artefacto a este circuito.
- No conecte el cable de conexión a tierra a cañerías de plástico, tuberías de gas o tuberías de agua caliente.
- Esta cubierta debe conectarse a tierra. En el caso de fallas o averías, la conexión a tierra reducirá el riesgo de sufrir descargas eléctricas, ya que ofrece una ruta para la corriente eléctrica. Esta cubierta está equipada con un cable que dispone de un enchufe con conexión a tierra. El enchufe debe conectarse firmemente en un tomacorriente que esté bien instalado y que disponga de conexión a tierra, de acuerdo con los códigos y ordenanzas locales. Si no está seguro de si el tomacorriente está conectado correctamente a tierra, debe verificarlo un electricista matriculado.
- La cubierta está equipada con un enchufe de 3 clavijas con conexión a tierra. Este cable debe enchufarse a un tomacorriente adecuado de 3 clavijas con conexión a tierra, que cumpla con todos los códigos y las ordenanzas locales. Si los códigos permiten el uso de un conductor a tierra independiente, recomendamos que un electricista calificado determine la vía adecuada para este conductor a tierra.
- El servicio eléctrico que alimentará a la cubierta debe cumplir con los códigos locales. Además de los códigos locales, debe cumplir con la versión más reciente de ANSI/NFPA Nro. 70 (para EE.UU.) o con la versión más reciente del Código eléctrico de Canadá CSA C22.1.
- Es responsabilidad personal del propietario de la cubierta proporcionar el servicio eléctrico correcto para este equipo.

Información importante de seguridad

Seguridad de la instalación

⚠ ADVERTENCIA

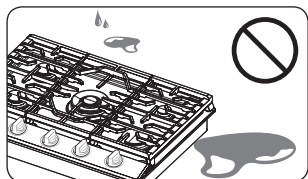
Para reducir el riesgo de incendio, descarga eléctrica, lesiones personales y muerte, obedezca las siguientes precauciones.

- Un **instalador calificado** debería realizar la instalación y la conexión a tierra, de acuerdo con las instrucciones de instalación. Cualquier ajuste o servicio técnico solo debe ser realizado por instaladores de cubiertas de cocción a gas o técnicos de servicio calificados.
 - **No intente** realizar el servicio, modificar ni reemplazar ninguna pieza de la cubierta a menos que se recomiende específicamente en este manual. Todas las demás tareas de servicio técnico deben ser encomendadas a un técnico calificado.
 - Utilice siempre conectores flexibles nuevos cuando instale un artefacto a gas. **No utilice** conectores flexibles viejos.
 - **Asegúrese** de que los soportes de sujeción a presión estén instalados correctamente en la cubierta. Consulte las instrucciones de instalación para obtener más información.
 - **Retire** toda la cinta y el material de empaque.
 - **Retire** todos los accesorios de la cubierta. Las rejillas y los comales son pesados. Tenga cuidado al manipularlos.
 - **Asegúrese** de que no se hayan aflojado piezas durante el transporte.
- **Asegúrese** de que un técnico de servicio o instalador calificado instale y ajuste correctamente la cubierta según el tipo de gas (natural o LP) que utilizará. Para utilizar gas LP en la cubierta, el instalador debe reemplazar los 5 orificios de los quemadores con el juego de orificios provistos para LP y también debe invertir el adaptador GPR. Estos ajustes deben ser realizados por un técnico de servicio calificado de acuerdo con las instrucciones del fabricante y con todos los códigos y requisitos de la autoridad pertinente. La agencia calificada que realice este trabajo asume toda la responsabilidad de la conversión del gas.
 - La instalación de esta cubierta debe cumplir con los códigos locales o, a falta de ellos, con la versión más reciente del Código nacional de gas combustible, ANSI Z223.1/NFPA.54. En Canadá, la instalación debe cumplir con el Código de instalación para gas natural CAN/CGA-B149.1 actual o con el Código de instalación para propano CAN/CGA-B149.2 actual y con los códigos locales, según corresponda. El diseño de esta cubierta ha sido certificado por ETL según la versión más reciente de ANSI Z21.1, y por Canadian Gas Association (Asociación de Gas de Canadá) según la versión más reciente de CAN/CGA-1.1.

Seguridad de la ubicación

⚠ ADVERTENCIA

Para reducir el riesgo de incendio, descarga eléctrica, lesiones personales y muerte, obedezca las siguientes precauciones.



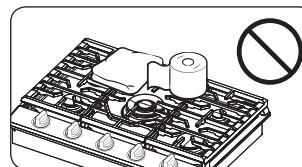
- Esta cubierta ha sido diseñada para uso doméstico en interiores solamente. **No instale** la cubierta en áreas expuestas a las condiciones climáticas o el agua.
- **No instale** la cubierta en un lugar expuesto a una corriente de aire fuerte.

- Seleccione una ubicación en la que haya un fácil acceso a un tomacorriente de 3 clavijas con conexión a tierra.
- Si se coloca la cubierta cerca de una ventana, **no cuelgue** cortinas largas ni persianas de papel en esa ventana.
- Para que la cubierta se ventile correctamente, debe haber suficiente espacio libre en la parte superior, posterior, a los lados y por debajo de la cubierta. Las ventilaciones permiten la salida de aire necesaria para que la cubierta funcione adecuadamente con la combustión correcta.
- **Asegúrese** de que los revestimientos de las paredes que rodean la cubierta puedan soportar el calor de hasta 194 °F (90 °C) que esta genera.
- Se debe evitar colocar gabinetes de almacenamiento por encima de la superficie de la cubierta. Si es necesario colocar gabinetes sobre la cubierta, debe dejarse un espacio libre de 30 pulgadas (76.2 cm) entre la superficie de cocción y la parte inferior de los gabinetes.

Seguridad de la cubierta

⚠ ADVERTENCIA

Para reducir el riesgo de incendio, descarga eléctrica, lesiones personales y muerte, obedezca las siguientes precauciones.



- **Asegúrese** de que todos los quemadores estén apagados cuando no estén en uso.
- **No utilice** papel de aluminio para cubrir las rejillas ni ninguna parte de la cubierta.
- **No deje** los quemadores sin vigilancia en configuraciones de calor medio o alto.
- Antes de encender los quemadores, **asegúrese** de que todas las tapas estén correctamente instaladas en su lugar y que todos los quemadores estén nivelados.

- Siempre use la posición LITE (Encender) al encender los quemadores y asegúrese de que todos enciendan. Si falla el encendido, gire la perilla en OFF (Apagado) y espere hasta que se disipe el gas.
- Cuando coloque un quemador a fuego lento, **no gire** la perilla rápidamente. Asegúrese de que la llama permanezca encendida.
- **No coloque** objetos sobre la cubierta que no sean recipientes y utensilios de cocina.
- Esta cubierta está diseñada para cocinar con un wok o con el accesorio del aro para wok. Si se flambean alimentos, solo debe hacerse debajo de una campana de ventilación encendida.
- Antes de retirar o cambiar recipientes de cocina, apague los quemadores.
- Retire los alimentos y los recipientes de inmediato después de la cocción.
- Antes de retirar alguna pieza del quemador para realizar la limpieza, asegúrese de que la cubierta esté apagada y completamente fría.
- Después de limpiar el distribuidor del quemador, **asegúrese** de que esté completamente seco antes de volver a ensamblarlo.
- Para evitar el envenenamiento por monóxido de carbono, **no vierta** agua sobre el hueco de la cubierta durante la limpieza.
- Seleccione recipientes de cocina diseñados para la cocción encima de la cubierta. Seleccione recipientes lo suficientemente grandes como para cubrir las rejillas de los quemadores. Ajuste las llamas de los quemadores de modo que no se extiendan más allá de la base de los recipientes.

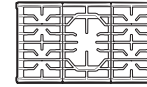
Información importante de seguridad

- Para evitar que los recipientes se decoloren, se deformen o que se produzca un envenenamiento por monóxido de carbono, **no utilice** recipientes que superen en exceso el tamaño de la rejilla.
- **Asegúrese** de que las manijas de los recipientes queden orientadas hacia un lado o hacia la parte posterior de la cubierta, pero nunca sobre los demás quemadores.
- Aléjese de la cubierta durante la cocción mediante fritura.
- Caliente siempre el aceite para freír en forma lenta y vigílelo a medida que se calienta. Si se fríen alimentos a alta temperatura, vigile cuidadosamente el proceso de cocción. Si se utilizará una combinación de grasa y aceite durante la fritura, debe mezclarlos antes de calentarlos.
- Utilice un termómetro para freidoras de inmersión cuando sea posible. Esto evita el recalentamiento de la freidora más allá del punto de generación de humo.
- Utilice una cantidad mínima de aceite durante las frituras de inmersión. Evite cocinar alimentos no descongelados o con excesiva cantidad de hielo.
- Antes de transportar recipientes llenos de grasa o aceite, asegúrese de que se hayan enfriado por completo.
- Para evitar el retraso en el punto de ebullición, siempre deje reposar los líquidos calentados durante al menos 20 segundos después de apagar el quemador, para que la temperatura del líquido pueda estabilizarse. En caso de escaldaduras, siga estas instrucciones de primeros auxilios:
 1. Sumerja el área escaldada en agua fría o tibia durante al menos 10 minutos.
 2. No se aplique cremas, aceites ni lociones.
 3. Cubra el área con un vendaje limpio y seco.

Componentes de la cubierta de cocción a gas

Contenido de la caja

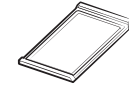
Piezas provistas



Rejillas para los quemadores de la cubierta (3) *



Quemadores y tapas de la cubierta (5) *



Comal de hierro fundido (1) *



Aro para wok (1) *



Plantilla



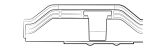
Tornillo (6)
(M4L10 2 ud., M4 L16 2 ud.,
W³/₁₆ L75 2 ud.)



Regulador (1) *



Soportes de sujeción a presión (2) *



Tapa (1)



Cinta de espuma

- Compruebe que haya recibido todas las piezas que se han presentado.
- Si la cubierta sufrió daños durante el transporte o si falta alguna de las piezas provistas, comuníquese con el comercio minorista local.

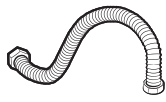
NOTA

Si necesita alguno de los accesorios identificados con *(asterisco), comuníquese con el Centro de Llamados de DACOR al número que figura en la última página del manual o visite nuestro sitio en línea de repuestos www.dacor.com

Piezas necesarias



Válvula de cierre en la tubería de gas



Conector flexible de metal del artefacto de ½ pulgada (diámetro interior) x 5 pies



Adaptador de unión cónica de ¼ pulgada o ½ pulgada (NPT) x ½ pulgada (diámetro interior)



Adaptador de unión cónica de ½ pulgada (NPT) x ½ pulgada (diámetro interior)



Codo de 135 grados (opcional)



Codo de 90 grados (opcional)

Herramientas necesarias



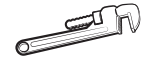
Destornillador de punta plana



Destornillador Phillips



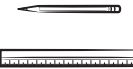
Llave de boca fija o ajustable



Llave Stillson (2)



Llave para tuercas de ¼"



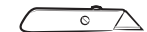
Lápiz y regla



Nivel



Compuesto de unión de tuberías



Navaja multiuso



Solución de agua jabonosa



Pinzas



Sierra de sable

Requisitos de instalación

Lista de verificación antes de la instalación

1. Al preparar la abertura de la cubierta, asegúrese de que el interior del gabinete y la cubierta no interfieran entre sí.
2. Retire los materiales de empaque, las cajas de las rejillas, el regulador con información impresa y el paquete de información impresa de la cubierta antes de comenzar la instalación.

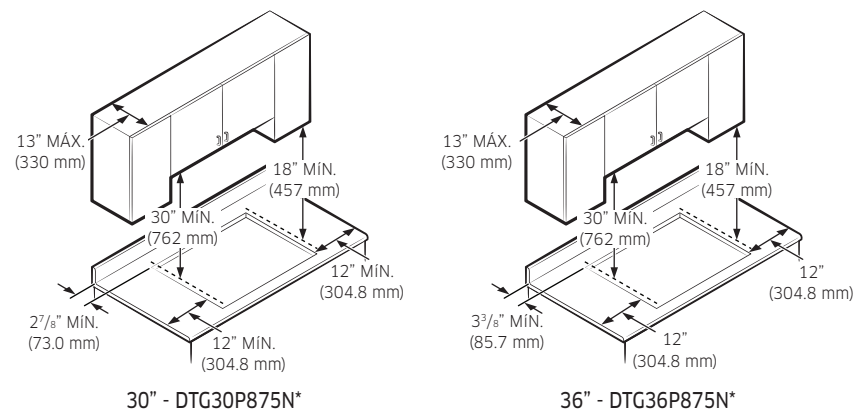
Requisitos de ubicación

ANTES DE COMENZAR a instalar este artefacto, consulte la siguiente información, dimensiones y espacios libres. Deben cumplirse estas dimensiones para que el uso de la cubierta sea seguro. La ubicación del tomacorriente y de la tubería de gas puede ajustarse para que se cumplan las siguientes dimensiones y espacios libres.

⚠ PRECAUCIÓN

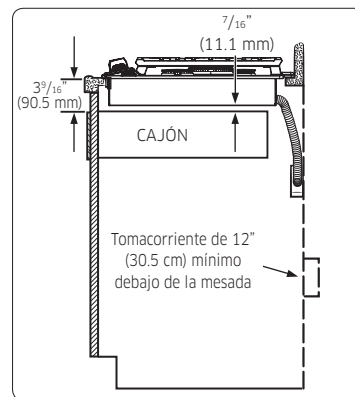
Esta cubierta ha sido diseñada para cumplir con la temperatura máxima admisible para gabinetes de madera de 194 °F (90 °C). Asegúrese de que los revestimientos de las paredes, las mesadas y los gabinetes alrededor de la cubierta puedan soportar el calor (hasta 194 °F [90 °C]) que esta genera. De lo contrario, se podrían producir alteraciones de color, deslaminación o derretimiento.

Mantenga las siguientes dimensiones mínimas de separación



📖 NOTA

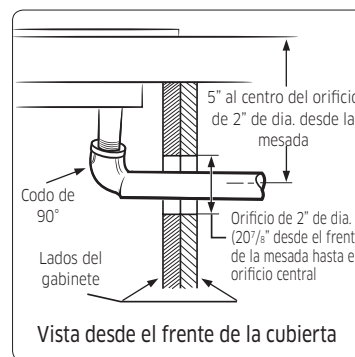
Deben mantenerse todas las separaciones horizontales con un mínimo de 18" (457 mm) por encima de la superficie de cocción.



📖 NOTA

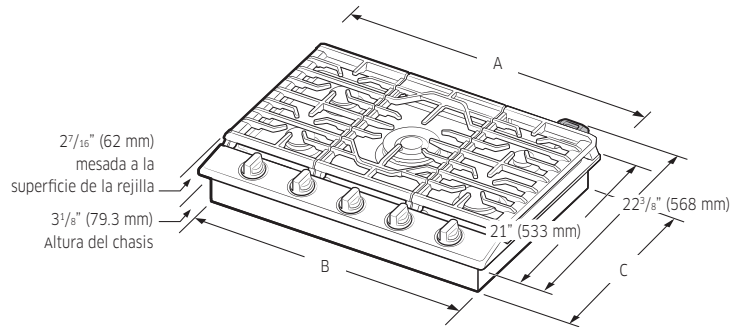
Deje una separación vertical mínima de 7/16" desde la parte inferior de la cubierta (o una profundidad mínima de 39/16" desde la mesada) hasta cualquier superficie combustible, incluyendo el borde superior o un cajón instalado debajo de la cubierta.

Instalación sobre horno empotrado



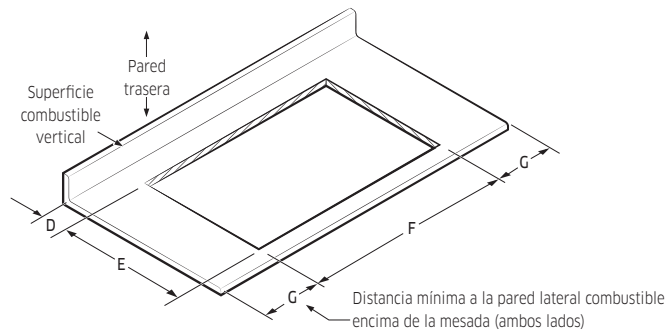
Consulte la instalación del horno empotrado para obtener instrucciones de instalación completas.

Dimensiones generales de la cubierta



Modelo	A	B	C
DTG30P875N*	30" (762 mm)	28 ¹ / ₈ " (715 mm)	19 ³ / ₈ " (492.1 mm)
DTG36P875N*	36" (914.4 mm)	33 ¹¹ / ₁₆ " (855 mm)	18 ⁷ / ₈ " (479 mm)

Dimensiones de la abertura recortada de la mesada

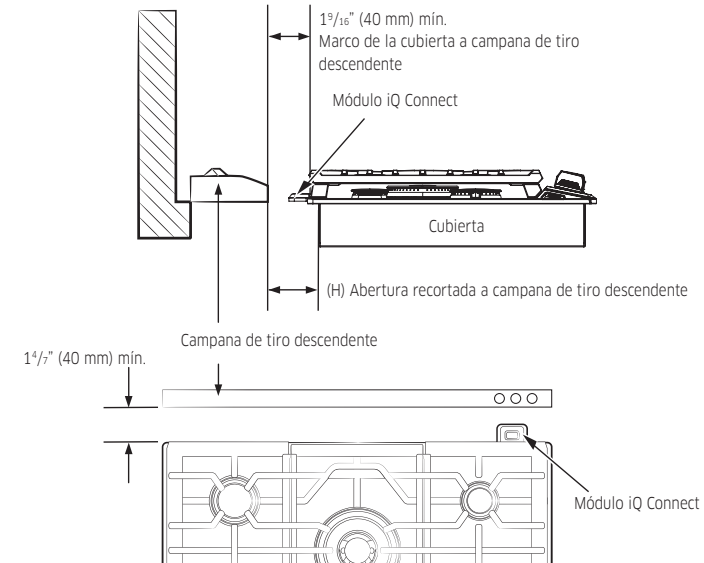


Modelo	(D) Mín.	(E) Mín.	(F) Mín.	(G) Mín.
DTG30P875N*	2 ⁷ / ₈ " (73 mm)	19 ⁵ / ₈ " (498.5 mm)	28 ¹ / ₂ " (723.9 mm)	12" (304.8 mm)
DTG36P875N*	3 ³ / ₈ " (85.7 mm)	19 ¹ / ₈ " (485.8 mm)	33 ⁷ / ₈ " (860.4 mm)	12" (304.8 mm)

Dimensiones de la cuando instale la cubierta con campana de tiro descendente

NOTA

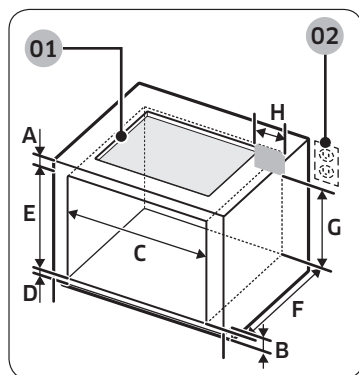
- Cuando instale la cubierta con campana de tiro descendente, verifique las dimensiones de separación.
 - La cubierta puede instalarse después de separar el módulo iQ Connect.
- Consulte las instrucciones para separar el módulo iQ Connect en la página 15.



Modelo	(H) Mín.
DTG30P875N*	2 ⁷ / ₁₆ " (62 mm)
DTG36P875N*	3" (76 mm)

Requisitos de instalación

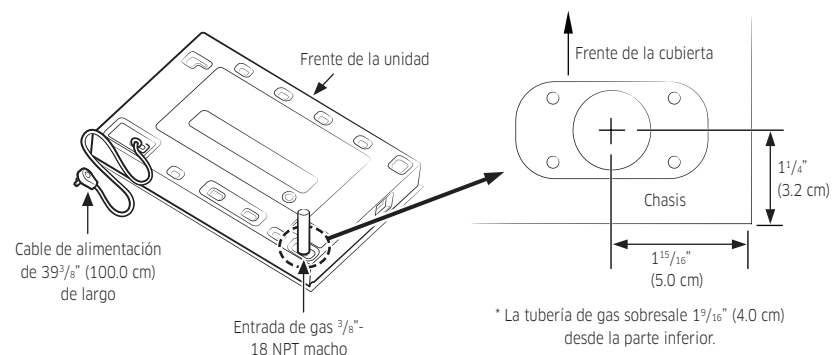
Horno simple bajo mesada



- 01 Esta cubierta puede instalarse encima de cualquier horno simple empotrado. Consulte el manual de instalación del horno.
- 02 Las conexiones de gas y electricidad para la cubierta de gas deben estar ubicadas a la derecha en un lugar adyacente accesible.

	Tamaño
A	Mín. 3 ³ / ₄ " (9.5 cm)
B	4" (10.1 cm)
C	Mín. 28 ¹ / ₂ " / Máx. 28 ⁵ / ₈ " (Mín. 72.4 cm / Máx. 72.7 cm)
D	Mín. 1" / Máx. 1 ¹ / ₄ " (Mín. 2.5 cm / Máx. 3.2 cm)
E	Mín. 27 ¹ / ₄ " / Máx. 27 ³ / ₈ " (Mín. 69.2 cm / Máx. 69.5 cm)
F	24" (61 cm)
G	Mín. 22" (Mín. 55.9 cm)
H	Máx. 9 ¹ / ₂ " (Máx. 24.1 cm) - Caja de empalmes

Dimensiones y ubicaciones de servicios públicos



Requisitos para el suministro de gas

Debe proveerse un suministro de gas adecuado

Esta cubierta está diseñada para funcionar con una presión de 5 pulgadas (13 cm) de columna de agua con gas natural o 10 pulgadas (25 cm) de columna de agua con gas LP (propano o butano).

Asegúrese de que el suministro de gas de su cubierta sea del tipo para el que está diseñada. **No intente convertir el artefacto del gas especificado en este manual a un tipo de gas diferente sin consultar al proveedor de gas.**

Esta cubierta puede convertirse para utilizarse con gas natural o propano. Si decide utilizar esta cubierta con gas LP, un instalador de LP calificado debe realizar la conversión antes de intentar operar la cubierta.

Para lograr un funcionamiento correcto, la presión del gas natural suministrado al regulador debe estar entre 5 pulgadas y 13 pulgadas (13 cm y 33 cm) de columna de agua.

Para el gas LP, la presión suministrada debe encontrarse entre 10 pulgadas y 13 pulgadas (25 cm y 33 cm) de columna de agua.

Al comprobar si el regulador funciona correctamente, la presión de entrada debe ser al menos 1 pulgada (2.5 cm) mayor que la presión de funcionamiento (colector) tal como se da.

El regulador de presión situado en la entrada del colector de la cubierta debe permanecer en la tubería de suministro independientemente de que se utilice gas natural o LP.

NOTA

- La cubierta viene de fábrica con un regulador en la caja de envío. Utilice solamente el regulador proporcionado. El regulador se debe instalar en la tubería de gas que se extiende desde la entrada de gas de la cubierta hasta la válvula de cierre del gas.
- Debe instalarse una válvula de cierre manual externa entre la entrada de gas y la cubierta con el fin de abrir o cerrar el paso de gas al equipo.
- Cuando se necesite un acoplamiento, asegúrese de que los conectores sean instalados por un instalador calificado.
- Nunca reutilice los conectores viejos al instalar la cubierta. El uso de conectores viejos puede causar fugas de gas y lesiones personales. Utilice siempre conectores flexibles nuevos cuando instale un artefacto a gas.

Requisitos especiales para el gas (modelos a gas vendidos en Massachusetts)

REQUISITOS DEL ESTADO DE MASSACHUSETTS:

ADVERTENCIA

- Pueden producirse fugas de gas en su sistema, lo que generaría una situación peligrosa.
- Las fugas de gas pueden no ser detectadas únicamente por el olor.
 - Los proveedores de gas recomiendan que compre e instale un detector de gas aprobado por UL. El detector de gas debe instalarse de acuerdo con las instrucciones de los fabricantes.
 - La cubierta debe ser instalada por un plomero o gasista calificado en el Estado de Massachusetts.
 - DEBE instalarse una válvula de gas manual con manija en forma de "T" en el conducto de suministro de gas de la cubierta.
 - Si se utiliza un conector de gas flexible para instalar la cubierta, no deben conectarse varios conductos flexibles de gas en serie.

Requisitos eléctricos

ADVERTENCIA

- Es responsabilidad del propietario asegurarse de que el servicio eléctrico cumpla con los requisitos y que el tomacorriente haya sido correctamente instalado por un electricista autorizado.
- Para reducir el riesgo de incendios, descargas eléctricas o lesiones personales:

Todas las cubiertas

- No utilice un cable prolongador ni un enchufe adaptador con esta cubierta.
- Esta cubierta debe conectarse a tierra correctamente.
- Si no está seguro si la conexión a tierra de la cubierta está correctamente realizada, consulte a un electricista calificado.
- No modifique el enchufe provisto con la cubierta; si no entra en el tomacorriente, solicite a un electricista calificado que instale un tomacorriente adecuado.
- Todo el cableado y la conexión a tierra deben realizarse en conformidad con los códigos locales o, en su ausencia, con la versión más reciente del Código eléctrico nacional ANSI/NFPA Nro. 70 (para EE.UU.) o con la versión más reciente del Código eléctrico de Canadá CSA C22.1 y los códigos y ordenanzas locales.
- El diagrama de cableado se encuentra en el interior de la caja de los quemadores.
- Esta cubierta está equipada con un sistema de encendido electrónico que no funcionará si se lo enchufa a un tomacorriente que no esté correctamente polarizado.

Cubiertas de cocción a gas

- Todos los modelos a gas están equipados con un cable de alimentación que dispone de un conductor de conexión a tierra para el equipo y un enchufe de conexión a tierra.
- Se requiere un servicio eléctrico aprobado de CA, 120 voltios y 60 Hz con un disyuntor de 20 A o un fusible de retardo para todos los modelos de EE.UU. y Canadá.

Conexión a tierra

- Todas las cubiertas deben contar con conexión a tierra por razones de seguridad personal.
- El enchufe debe conectarse firmemente en un tomacorriente de tres clavijas que esté correctamente instalado y que disponga de conexión a tierra, de acuerdo con todos los códigos y ordenanzas locales. En caso de fallas o averías, la conexión a tierra reducirá el riesgo de sufrir descargas eléctricas, ya que ofrece una ruta para la corriente eléctrica.
- No utilice un cable de alimentación dañado ni un tomacorriente de pared flojo.
- No utilice un cable prolongador ni un adaptador con este equipo.
- Bajo ninguna circunstancia corte, modifique, retire ni desactive de ninguna manera la clavija de conexión a tierra (la tercera) del cable de alimentación. Si el enchufe y el tomacorriente no coinciden o usted tiene alguna duda, solicite a un electricista calificado que instale el tomacorriente adecuado. El cliente debe encargarse de que un electricista calificado inspeccione el tomacorriente y el circuito para asegurarse de que el tomacorriente tenga la conexión a tierra adecuada.
- NUNCA conecte el cable a tierra a cañerías de plástico, tuberías de gas o tuberías de agua.

⚠ PRECAUCIÓN

No seguir estas instrucciones puede provocar la muerte, un incendio o electrocución.

Requisitos adicionales de instalación para casas rodantes

La instalación de los artefactos diseñados para casas rodantes debe cumplir con la Norma de construcción y seguridad de casas prefabricadas, Título 24 CFR, Parte 3280 (denominada anteriormente Norma federal para la construcción y la seguridad de casas rodantes, Título 24, HUD, Parte 280) o, cuando no corresponda su aplicación, la versión más reciente de la Norma para instalaciones en casas prefabricadas (lugares para casas prefabricadas, comunidades y armados), la versión más reciente de ANSI A225.1, o los códigos locales. En Canadá, la instalación en casas rodantes debe cumplir con el Código de instalación de casas rodantes CAN/CSA Z240/MH actual.

Instrucciones de instalación

Instalación de la cubierta de cocción a gas

IMPORTANTE:

Lea con atención y en su totalidad las siguientes instrucciones y la sección de instrucciones de seguridad importantes que se encuentra en la parte delantera de este manual ANTES de instalar u operar la cubierta de cocción a gas. La instalación, los ajustes, el servicio técnico o el mantenimiento incorrectos pueden causar lesiones personales o daños a la propiedad.

📖 NOTA

Para garantizar que la instalación se realice correctamente recomendamos especialmente que se contrate a un instalador profesional.

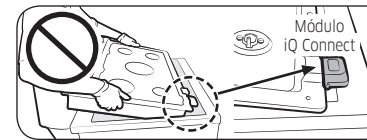
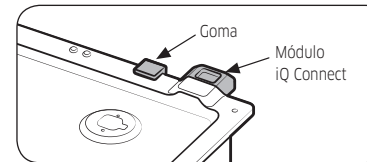
Paso 1. Desempaque de la cubierta.

Retire todos los materiales de empaque. No retirar los materiales de empaque podría causar daños al equipo.

Haga un inventario de todas las piezas sueltas y compárelo con la lista de piezas y componentes provistos en la página 8.

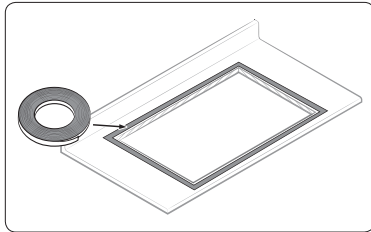
Verifique que no haya piezas faltantes ni daños causados por el transporte. Debe informarse cualquier daño o pieza faltante al comercio minorista local.

Paso 2. Instalación de la cubierta.



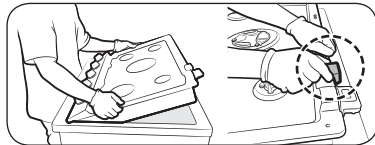
⚠ PRECAUCIÓN

- Al insertar la cubierta en la abertura recortada, no quite la pieza de goma que protege el módulo iQ Connect. La pieza de goma protectora debe quitarse luego de insertar con cuidado la cubierta.
- Al montar la cubierta, asegúrese de insertarla con el lado delantero primero. Si se inserta desde la parte trasera se puede dañar el módulo Wi-Fi.



1. Localice el tomacorriente y la válvula de cierre del gas debajo del gabinete.
2. Aplique la cinta de espuma alrededor del borde de la abertura recortada. No superponga las tiras de espuma.

- La tira de espuma ayuda a evitar los daños en la parte inferior de la cubierta ocasionados por la suciedad y permite que la cubierta quede plana sobre mesadas desniveladas.

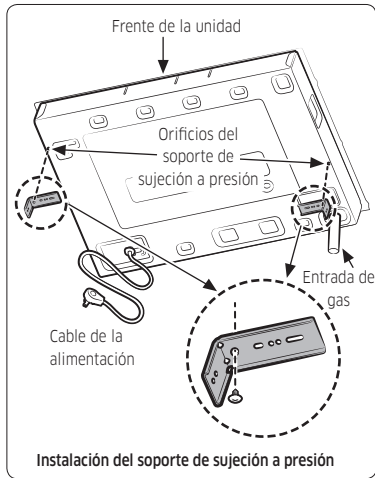


Instalación correcta

3. Proteja la superficie de la cubierta.
 - Coloque una toalla o un mantel sobre la mesada.
4. Con la parte inferior primero, apoye con suavidad la cubierta. Luego levante ligeramente la parte posterior para retirar la goma protectora del módulo Wi-Fi.

- Asegúrese de que el frente de la mesada quede paralelo a la cubierta.
- Haga una verificación final de que se hayan cumplido todas las separaciones requeridas.

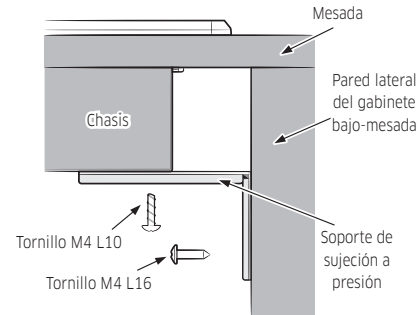
5. Asegure la cubierta a la mesada utilizando los dos soportes de sujeción a presión proporcionados como se muestra.



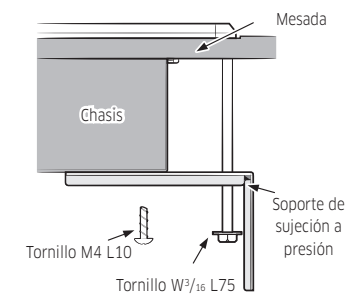
Instalación del soporte de sujeción a presión

Guía de instalación del soporte de sujeción a presión

Caso 1.



Caso 2.



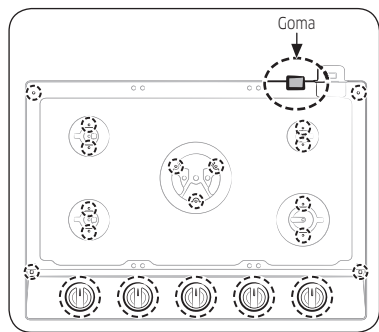
NOTA

El módulo iQ Connect puede/debe extraerse antes de instalar la cubierta en los siguientes casos:

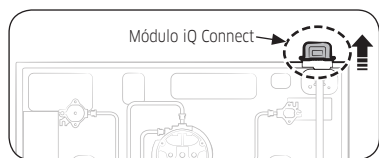
- El consumidor no necesita la función iQ Connect.
- La instalación no es posible debido a que el módulo iQ Connect sobresale contra la pared posterior de la mesada.
- La campana de tiro descendente está instalada y sobresale contra el módulo iQ Connect.

Si se ha retirado el módulo iQ Connect se debe instalar la tapa en su lugar. Lea las siguientes instrucciones sobre cómo extraer el módulo iQ Connect.

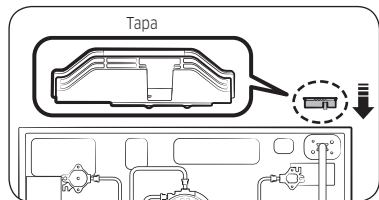
Instrucciones de instalación



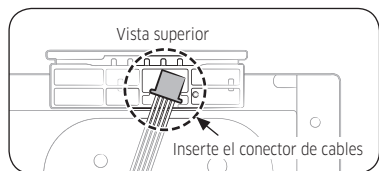
1. Retire los tornillos de las 5 tazas de los quemadores y los 4 tornillos del marco de la cubierta. Retire la goma que protege el módulo iQ Connect. Retire todas las perillas de disco y levante para quitar el marco de la cubierta.



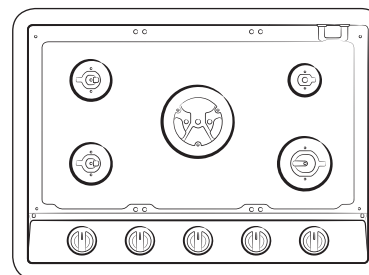
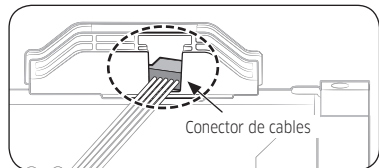
2. Extraiga el módulo iQ Connect de la caja del quemador. Desconecte el conector de cables de la PCB.



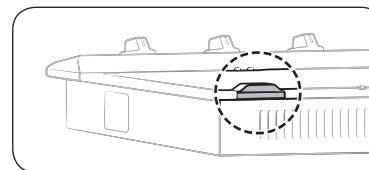
3. Instale la tapa suministrada en lugar del módulo iQ Connect.



4. Inserte el conector de cables de forma diagonal en la tapa. Asegúrese de que encaje firmemente.



5. Regrese todas las tazas de los quemadores y el marco de la cubierta a su posición original, vuelva a instalar todos las perillas de disco.



Paso 3. Conexión de la cubierta al suministro de gas.

Cierre la válvula de suministro de gas principal antes de desconectar la cubierta vieja y no vuelva a abrirla hasta que no se haya realizado la nueva conexión. No olvide volver a encender el quemador de los demás artefactos a gas cuando vuelva a abrir el suministro.

Debido a que las tuberías rígidas limitan el movimiento de la cubierta, se recomienda el uso de un conector flexible de metal certificado por CSA International a menos que los códigos locales exijan una conexión con tuberías rígidas.

⚠ ADVERTENCIA

Si no se sigue la información de este manual con exactitud, podrían producirse incendios o explosiones causantes de muerte, lesiones personales o daños a la propiedad.

- No debe almacenarse ni utilizarse gasolina u otros líquidos y vapores inflamables cerca de este u otros artefactos.
- QUÉ HACER SI HAY OLOR A GAS:
 - NO encienda cerillos, velas ni cigarrillos.
 - NO intente encender ningún artefacto.
 - NO toque ningún interruptor eléctrico.
 - NO utilice ningún teléfono dentro del edificio.

- Haga salir a todos los ocupantes de la habitación, el edificio o el área.
- Llame inmediatamente al proveedor de gas desde el teléfono de un vecino. Siga las instrucciones del proveedor de gas.
- Si no puede comunicarse con el proveedor de gas, llame al departamento de bomberos.
- La instalación y el servicio técnico deben ser realizados por un instalador calificado, agencias de servicio técnico o el proveedor de gas.
- No instale la cubierta sin también instalar el regulador de gas incluido. No utilice la cubierta sin el regulador instalado.
- Asegúrese de que la flecha en el regulador apunte en la dirección del flujo de gas hacia la cubierta.
- No aplique una presión excesiva al apretar las conexiones de gas y los accesorios.
- Verifique las tuberías de gas en busca de fugas siguiendo las instrucciones antes del uso. No utilice una llama para verificar si hay fugas.

Nunca utilice un conector viejo cuando instale una cubierta nueva. Si se utiliza el método de tuberías rígidas, deben alinearse cuidadosamente; y la estufa no podrá moverse luego de realizar la conexión.

Para evitar fugas de gas, aplique compuesto para unión de tuberías o una envoltura de cinta de teflón en todas las roscas macho (externas).

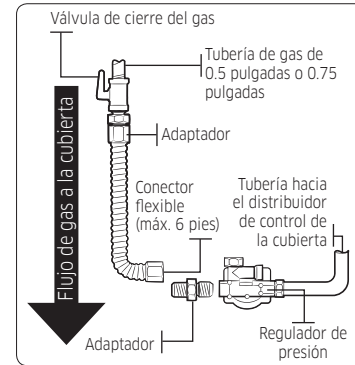
1. Fije el regulador de presión del gas (incluido con la cubierta) a la entrada de la boquilla roscada de la cubierta. Para las instalaciones ajustadas, el regulador puede instalarse de forma ascendente desde la boquilla roscada, en cualquier lugar entre la válvula de cierre y la cubierta. Para obtener el mejor rendimiento, minimice la pérdida de presión del gas conectando el regulador lo más cerca posible a la entrada de gas de la cubierta.
2. Complete la conexión del suministro de gas a la cubierta mediante la instalación de una tubería de gas flexible entre el regulador de presión y la válvula de cierre.

⚠ ADVERTENCIA

No exceder los 25 ft-lb de par de torsión al realizar conexiones de gas. Ajustar en exceso puede agrietar el regulador de presión y producir una pérdida de gas.

Conexión con conectores flexibles

Instalador: Informe la ubicación de la válvula de cierre de gas al consumidor.



📖 NOTA

La válvula de cierre del gas debe instalarse en un lugar accesible en la tubería de gas, externa al artefacto, con el fin de abrir o cerrar el suministro de gas del equipo.

Paso 4. Verificación de fugas de gas.

⚠ ADVERTENCIA

Para evitar el peligro de muerte, lesiones personales, explosiones o incendios, NO utilice una llama para verificar si hay fugas de gas.

Cuando se utilicen presiones de prueba superiores a ½ PSIG (libras por pulgada cuadrada manométrica) para comprobar la presión del sistema de suministro de gas de la residencia, desconecte la cubierta y la válvula de cierre individual de la tubería de suministro de gas. Cuando se utilicen presiones de prueba de ½ PSIG o inferiores para realizar la prueba del sistema de suministro de gas, simplemente cierre la válvula individual para aislar la cubierta del sistema de suministro de gas.

1. Cuando se hayan realizado todas las conexiones, asegúrese de que todos los controles de la cubierta estén en la posición de apagado y abra la válvula principal de suministro de gas.
2. Utilice un detector de fugas líquido en todas las juntas y conexiones para verificar que no haya pérdidas en el sistema.
3. Ajuste todas las conexiones si es necesario para evitar las fugas de gas en la cubierta o la tubería de suministro.

Instrucciones de instalación

Paso 5. Conexiones eléctricas.

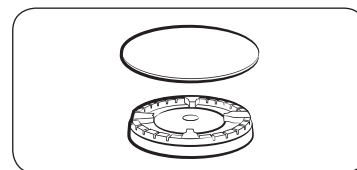
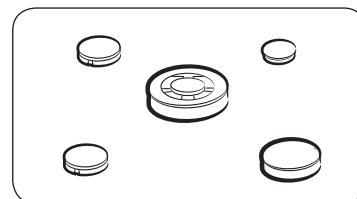
⚠ ADVERTENCIA

- Desconecte toda la alimentación eléctrica de la caja principal del disyuntor o los fusibles antes de la instalación.
 - ANTES DE REALIZAR CUALQUIER OPERACIÓN O PRUEBA, siga los requisitos de conexión a tierra en las páginas **14** de este manual. La conexión inadecuada del enchufe de conexión a tierra puede provocar un riesgo de descarga eléctrica.
 - Todas las cubiertas de cocción a gas vienen equipadas con un cable de alimentación. El cable de alimentación se conecta a la parte inferior de la cubierta. Consulte los "Requisitos eléctricos" en las páginas **13**.
 - El sistema eléctrico, incluyendo el cable de alimentación, viene instalado y cableado previamente de fábrica. Modificar cualquier parte de este sistema puede tener provocar un cortocircuito o una sobrecarga.
1. Enchufe el cable de alimentación. Asegúrese de que los tomacorrientes cumplan con los códigos eléctricos locales o nacionales que se mencionan en las páginas **13**.
 2. Revise la tubería de suministro de gas para asegurarse de que no esté dañada y permanezca conectada durante la colocación.

Paso 6. Montaje de los quemadores de la cubierta.

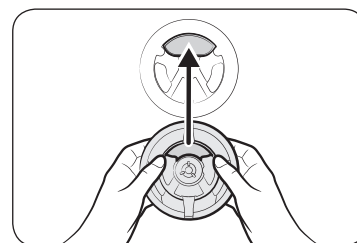
⚠ PRECAUCIÓN

- No opere los quemadores si no están todas las piezas en su lugar.
- Tenga cuidado de no presionar ninguno de los controles de la cubierta mientras retira los quemadores. Podría provocarse una ligera descarga eléctrica que haría que se tire encima las ollas calientes.
- No quite la parte superior ni toque el electrodo de ningún quemador mientras otro está encendido. Podría provocarse una descarga eléctrica.

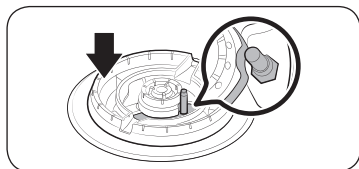


1. Coloque los cabezales de los quemadores en la parte superior de los colectores, tal como se indica a la derecha. Los electrodos entrarán en la ranura que se encuentra en la parte inferior de los cabezales. Asegúrese de que los cabezales de los quemadores queden horizontales y paralelos a la cubierta.
2. Coloque las tapas con el tamaño correspondiente en la parte superior de cada cabezal de los quemadores.

Cabezal del quemador doble

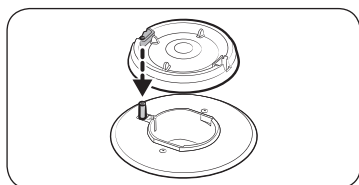


1. Como se muestra, inserte el área marcada del cabezal del quemador en el área correspondiente de la taza del quemador de modo que queden alineados.

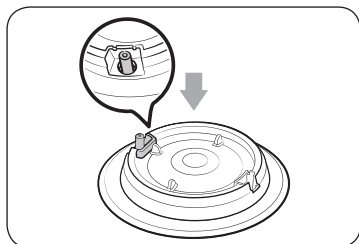


2. Instale el cabezal del quemador de modo que el electrodo pase por la abertura. Asegúrese de que el cabezal del quemador quede plano en la parte superior de la estufa.

Cabezal del quemador redondo

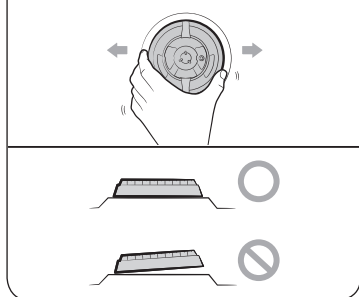


1. Oriente el cabezal del quemador de modo que la abertura para el electrodo y el electrodo queden alineados.



2. Instale el cabezal del quemador de modo que el electrodo pase por la abertura. Asegúrese de que el cabezal del quemador quede plano en la parte superior de la estufa.

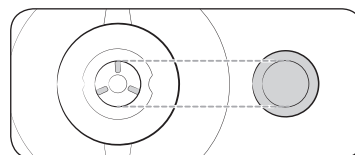
Cabezal de los quemadores



⚠ PRECAUCIÓN

Asegúrese de que todos los componentes de los quemadores (cabezales y tapas) se vuelvan a instalar correctamente. Si la instalación es correcta, quedarán estables y planos.

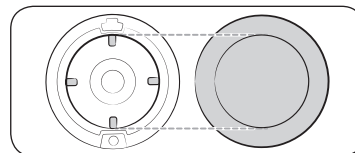
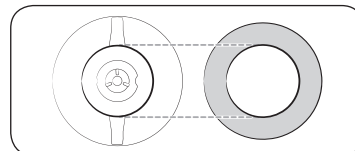
Tapa de los quemadores



1. Vuelva a instalar las tapas en los cabezales de los quemadores haciendo coincidir su tamaño con el de los quemadores.

⚠ PRECAUCIÓN

Asegúrese de que cada tapa se vuelva a instalar en el cabezal correcto y que quede centrada y plana sobre el cabezal del quemador.

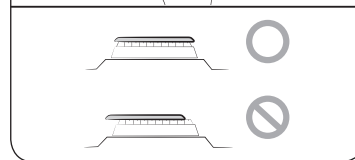


Tapa de los quemadores



⚠ PRECAUCIÓN

Asegúrese de que todos los componentes de los quemadores (cabezales y tapas) se vuelvan a instalar correctamente. Si la instalación es correcta, quedarán estables y planos.



Superior	Inferior

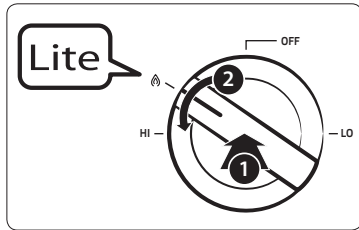
📖 NOTA

La tapa del quemador a fuego lento de precisión (TD) y la tapa del quemador de doble potencia inferior (central) son intercambiables.

Instrucciones de instalación

Paso 7. Verificación del encendido de los quemadores.

Verifique el funcionamiento de todos los quemadores luego de haber instalado y montado la cubierta, de haber comprobado que no haya fugas en las tuberías de suministro de gas y de haber enchufado el cable de alimentación eléctrica.



Para encender un quemador

1. Empuje la perilla de control correspondiente al quemador y gírela a la posición Lite (Encender). Oirá un “clic” que indica que el sistema de encendido electrónico funciona correctamente. El quemador se encenderá en aproximadamente 4 segundos, después de que se haya purgado el aire de la tubería de suministro.
2. Una vez encendido el quemador, gire la perilla de control hasta la posición deseada. Los “clics” se detendrán y la altura de la llama cambiará de máximo a mínimo cuando se gire la perilla de control.
3. Repita los pasos 1 y 2 para verificar el funcionamiento de cada quemador, uno tras otro.

NOTA

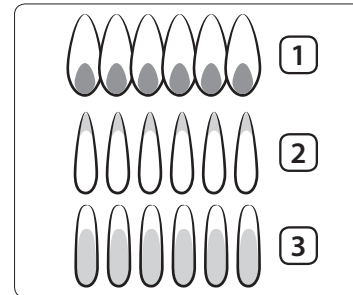
- Si el quemador no se enciende en 4 segundos, gire la perilla hasta la posición de apagado y espere un minuto antes de volver a intentarlo.
- Al empujar y girar la perilla de control, todos los sistemas de ignición por chispa emitirán una serie de chispas, pero solo se encenderá el quemador que esté en la posición Lite (Encender).

Paso 8. Verificación de la calidad de la llama.

Es necesario verificar visualmente todas las llamas de combustión para determinar su calidad.

PRECAUCIÓN

Tenga cuidado cuando intente medir la llama. Podría sufrir quemaduras.



1. Llamas azules atenuadas–Normal con gas natural.
2. Puntas amarillas en los conos exteriores–Normal con gas LP.
3. Llamas amarillas–No son normales para ningún tipo de gas; solicite servicio técnico.

NOTA

Si la llama de un quemador es como la del ejemplo 3, no debe utilizarse la cubierta hasta que reciba servicio técnico. Solicite servicio técnico. Las llamas normales de los quemadores deben verse como los ejemplos 1 o 2, según el tipo de gas que se utilice.

Paso 9. Instalación de las rejillas.

NOTA

Instale las rejillas como se indica a continuación para una mayor duración. Cuando están bien instaladas, las aberturas de las rejillas están centradas sobre los quemadores.

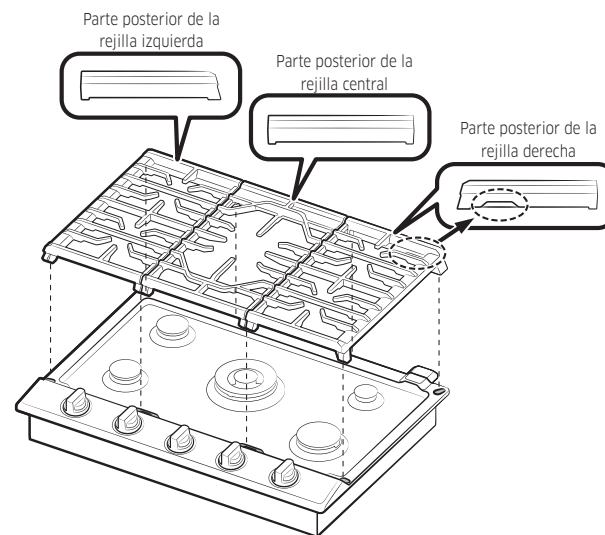
Las tres rejillas de la cubierta están diseñadas para ajustarse en posiciones específicas sobre la cubierta. Para conseguir la máxima estabilidad, estas rejillas solo deben utilizarse en sus posiciones correctas.

- Coloque la rejilla identificada con la letra 'I' en el lado izquierdo, y la identificada con la letra 'D' en el lado derecho.
- La rejilla central debe instalarse con la parte identificada con la palabra 'BACK (ATRÁS)' orientada hacia la parte trasera de la cubierta.

La parte posterior de la rejilla derecha tiene una muesca para ayudarle a orientar correctamente las rejillas. Observe la ilustración que aparece a continuación.

Para colocar las rejillas correctamente, siga estos pasos:

1. Busque la muesca en la parte posterior de la rejilla derecha.
2. Oriente la rejilla derecha de modo que quede en el lado derecho de la cubierta con la muesca en la parte posterior.
3. Con cuidado baje las patas de la rejilla derecha dentro de las hendiduras correspondientes de la cubierta.
4. Con cuidado baje las patas de las otras dos rejillas dentro de las hendiduras correspondientes de la cubierta como se muestra en la ilustración.



Instrucciones de instalación

Paso 10. Lista de verificación final de la instalación.

⚠ ADVERTENCIA

- Para garantizar una instalación segura y correcta, la siguiente lista de verificación debe ser completada por el instalador para asegurarse de que ninguna parte de la instalación haya sido pasada por alto.
- La instalación adecuada es responsabilidad del dueño de la casa. Nunca se insistirá lo suficiente sobre la importancia de la correcta instalación de su cubierta Dacor.

Acaba de finalizar la instalación de la cubierta. Asegúrese de que todas las perillas de control estén en la posición de apagado. La siguiente es una lista de verificación para confirmar que la instalación de la cubierta sea segura y que esté lista para el funcionamiento.

- La tubería de gas se ha conectado correctamente a la cubierta. Se ha abierto el gas.
Se ha verificado que no haya fugas en ninguna de las conexiones.
- La cubierta está conectada a un tomacorriente correctamente conectado a tierra.
- Los quemadores y las parrillas se han montado correctamente.
- Se ha comprobado que todos los quemadores funcionen correctamente.

Instrucciones de conversión a LP (Propano)

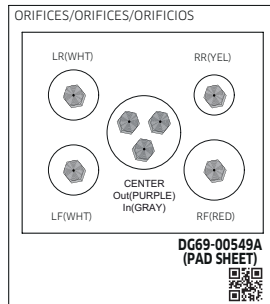
⚠ ADVERTENCIA

- Esta conversión la debe realizar un instalador cualificado o un proveedor de gas según las instrucciones del fabricante y las normas y reglamentaciones locales y nacionales. Si no se siguen TODAS estas instrucciones pueden producirse lesiones personales graves o daños a la propiedad. La agencia calificada que realice este trabajo asume toda la responsabilidad de la conversión.
- Debe conocer la ubicación de la válvula de cierre del gas y cómo cerrarla si es necesario.
- Desenchufe o desconecte la alimentación antes de realizar tareas de mantenimiento o reparación.
- No haga funcionar los quemadores cuando utilice gas LP antes de convertir el regulador de presión y los orificios para utilizar gas LP. De lo contrario, podrían ocasionarse llamas altas y emanaciones tóxicas que pueden provocar lesiones graves.
- No mezcle ni sustituya los orificios del quemador de gas LP durante el proceso de conversión. Una colocación inadecuada del orificio afectará al quemador y al rendimiento de la cocción y podría producir lesiones personales o daños al producto.

Todas la cubiertas de cocción a gas de DACOR se fabrican y se suministran para utilizarlas con gas natural. Las cubiertas también se suministran con kits de conversión a LP, para poderlas convertir y usar con gas LP. Los kits constan de orificios del tamaño adecuado para los quemadores de la cubierta. Estos orificios se encuentran en una cartulina en el interior de una bolsa de plástico. La bolsa se suministra con el manual del usuario. El orificio del regulador de presión es de uso doble, por un lado para gas natural, por el otro para gas LP.

Piezas suministradas

El kit de conversión a LP incluye las piezas siguientes:



DTG30P875N*/DTG36P875N*

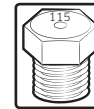
Todas las posiciones de los orificios están marcadas en la cartulina suministrada. El acoplamiento del regulador de presión instalado de fábrica es para gas natural (GN). La conversión a LP requiere la remoción del acoplamiento y la reinstalación para el uso de LP.

TAMAÑOS DE LOS ORIFICIOS DEL QUEMADOR Y POTENCIAS DE SALIDA (Gas LP [Propano] 10 en WCP)		
Ubicación del quemador	Potencia BTU	Tamaño del orificio [mm]
DD	11500	1.04
DI	7500	0.83
TD	4000	0.62
TI	7500	0.83
Centro	14500	Entrada: 0.46 / Salida: 0.74 (2 uds.)

TAMAÑOS DE LOS ORIFICIOS DEL QUEMADOR Y POTENCIAS DE SALIDA
(Gas natural 5 en WCP)

Ubicación del quemador	Potencia BTU	Tamaño del orificio [mm]
DD	13000	1.64
DI	9500	1.40
TD	5000	1.01
TI	9500	1.40
Centro	19000	Entrada: 0.70 / Salida: 1.30 (2 uds.)

NOTA



Marcas del orificio:

115 - Indica un tamaño de apertura del orificio de 1.15 mm.

Instrucciones de instalación

Herramientas necesarias



Llave ajustable



Llave de boca fija de 1/2"



Destornilladores: Phillips



Destornillador pequeño de punta plana de precisión



Llaves para tuercas: 9/32" o 7 mm

Para convertir la cubierta para usar con gas LP, siga estos pasos:

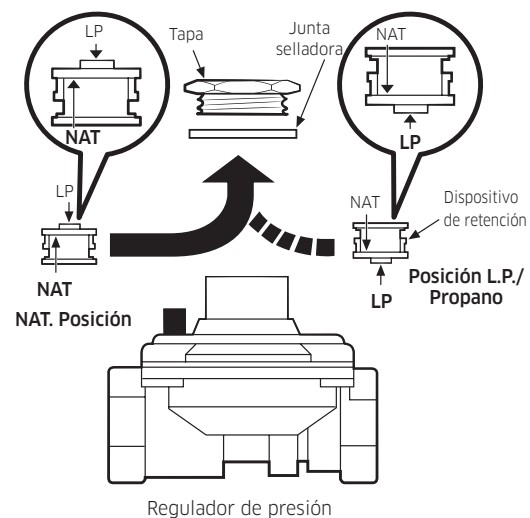
1. Desconecte la alimentación eléctrica de la cubierta. Desenchufe el cable de alimentación, desconecte el disyuntor o retire el fusible de la caja de fusibles.
2. Cierre el suministro de gas de la cubierta. Cierre la válvula manual de la cubierta.

Cómo convertir el regulador de presión

NOTA

Si utiliza gas LP en la cubierta, deberá seguir los pasos y realizar las conversiones a continuación antes de ajustar las llamas.

1. Con los dedos, gire la tapa. Y mire cuidadosamente el dispositivo de retención para localizar la posición NAT o LP.



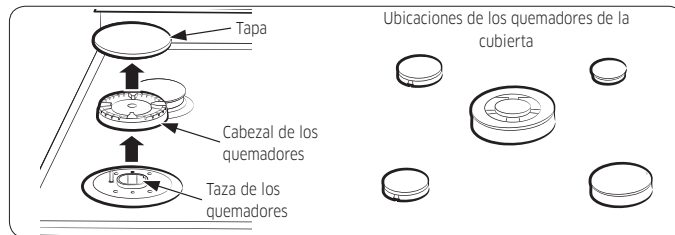
2. Gire el dispositivo de retención 90 grados, sáquelo de la tapa, rótelo de manera que se muestre LP, vuelva a insertarlo en la tapa y, luego, gírelo 90 grados para colocarlo en su posición.
3. Vuelva a atornillar la tapa en el regulador y ajústela.

Conversión de los quemadores de la cubierta

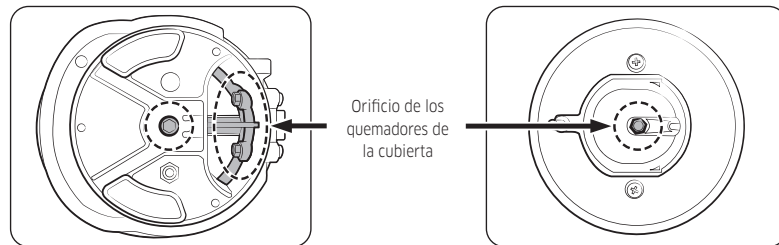
NOTA

Si utiliza gas LP en la cubierta, deberá seguir los pasos y realizar las conversiones a continuación antes de ajustar las llamas.

1. Levante las tapas y los cabezales de los quemadores y retírelos de las tazas distribuidoras.



2. Con una llave para tuercas de $\frac{9}{32}$ " o 7 mm retire el orificio del quemador de la parte inferior de cada taza distribuidora.



NOTA

Guarde estos orificios y anote sus posiciones para futuras conversiones a gas natural.

3. Localice los orificios de conversión a LP que se han suministrado con la cubierta.
4. Identifique el orificio adecuado según el tamaño de cada quemador de la cubierta.
5. Instale los orificios adecuados en cada taza distribuidora de los quemadores y apriételes con la llave para tuercas de $\frac{9}{32}$ " o 7 mm.

NOTA

Cualquier otra ubicación de los orificios podría resultar en condiciones de funcionamiento peligrosas o en malos resultados de cocción.

6. Coloque los cabezales de los quemadores sobre las mismas tazas distribuidoras en las que estaban antes de extraerlos. El orificio del lateral de los cabezales va sobre los electrodos. Los cabezales de los quemadores están correctamente instalados cuando quedan planos sobre la parte superior de las tazas distribuidoras.
7. Coloque las tapas de los quemadores sobre los cabezales. Si están bien instaladas deben quedar planas para que funcionen correctamente.

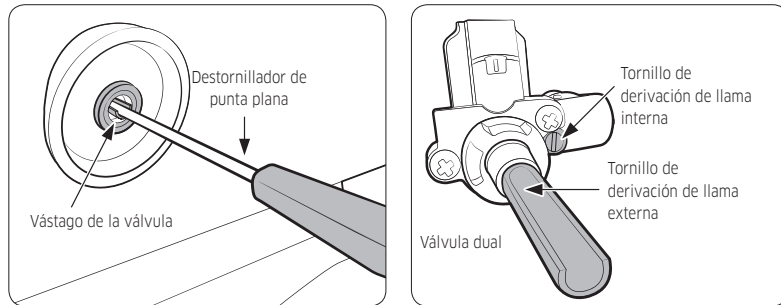
Instrucciones de instalación

Ajuste de la configuración de llama baja en los quemadores de la cubierta

Todas las llamas de los quemadores de la cubierta se deben revisar en el ajuste más bajo. Siga los pasos a continuación para revisar y ajustar la configuración de los quemadores de la cubierta.

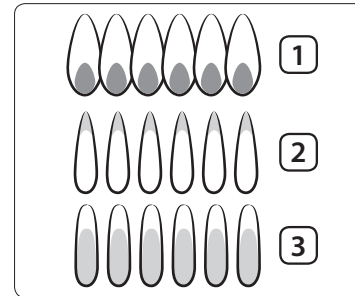
NOTAS

- Los ajustes de la llama baja deben realizarse siempre con dos quemadores o más funcionando al mismo tiempo.
 - Llame al servicio técnico cuando necesite ajustar la llama interna de los quemadores centrales de la cubierta.
1. Encienda dos o más quemadores y ajústelos en MED (Medio) y HI (Alto).
 2. Gire rápidamente una de las perillas de control en sentido contrario a las agujas del reloj para el ajuste más bajo. La llama debe permanecer encendida. Si la llama oscila o se desvanece, ajuste la válvula de derivación del quemador.
 3. Jale la perilla de control de este quemador para retirarla.
 4. Con un destornillador pequeño de punta plana, ajuste el tornillo de la válvula de derivación en la base del vástago de la válvula. Gire el tornillo de la válvula de derivación en sentido contrario a las agujas del reloj para aumentar el tamaño de la llama.



5. Monte nuevamente la perilla de control y revise el ajuste de la llama.
6. Repita los pasos 1 a 5 para revisar y ajustar la llama baja en los otros quemadores.

Calidad de la llama de combustión



1. Llamas azules atenuadas–Normal con gas natural.
2. Puntas amarillas en los conos exteriores–Normal con gas LP.
3. Llamas amarillas–Anormal con cualquier gas. Se requieren ajustes adicionales.

Verificación adicional de la llama baja

1. Abra y cierre rápidamente la puerta del gabinete mientras el quemador está en la posición LO (BAJO). Si la llama se apaga, aumente la configuración de la llama baja y repita la prueba hasta que la llama permanezca estable.
2. Gire rápidamente la perilla desde HI (ALTO) hasta el ajuste más bajo. Si la llama se apaga en el ajuste más bajo, aumente la configuración de la llama baja y repita la prueba hasta que la llama permanezca estable.

⚠ ADVERTENCIA

1. No retire por completo el tornillo de ajuste de la válvula del vástago de la válvula. El tornillo de ajuste de la válvula es una pieza integral del montaje de la válvula de gas. Retirar el tornillo de ajuste de la válvula causará una pérdida de gas.
2. Luego de ajustar el tornillo de ajuste de la válvula, inspeccione el montaje para detectar pérdidas de gas.

Notas

Notas

Notas



Estimado cliente:

Gracias por adquirir Dacor. Esperamos que nuestros productos intensifiquen su pasión por cocinar.

Esta caja contiene un conjunto de tapas de latón para los quemadores, diseñadas para dar un aspecto elegante a su nuevo producto Dacor. Pueden utilizarse para cocinar, pero deberá tener en cuenta que con el uso sufren alteraciones de color. Esto es debido a una reacción natural del latón cuando entra en contacto con las llamas de gas. Hemos incluido también un conjunto de tapas de porcelana negra para que las utilice si le preocupa esta decoloración. Nuestra garantía no cubre la alteración del color de las tapas de los quemadores, pero puede pedirnos otras nuevas si es necesario.

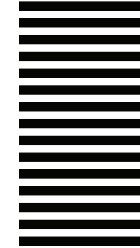
Esperamos sinceramente que disfrute cocinando con Dacor durante muchos años. Si necesita ayuda, comuníquese con nuestro equipo en el 833-35-ELITE (833-353-5483).

Atentamente,

Equipo de atención al cliente de Dacor



NO POSTAGE
NECESSARY
IF MAILED
IN THE
UNITED STATES



DACOR
ATTN: WARRANTY PROCESSING DEPT
PO BOX 90070
CITY OF INDUSTRY, CA 91715-9907



cutar aquí



Visite www.Dacor.com para activar su garantía en línea.

INFORMACIÓN SOBRE LA GARANTÍA



IMPORTANTE:

Su garantía no se hará efectiva hasta que no la active en línea o devuelva este formulario a Dacor. Si ha comprado más de un producto Dacor, devuelva todos los formularios en el mismo sobre o active la garantía para cada producto en línea.

Tenga por seguro que bajo ningún concepto Dacor venderá su nombre ni ninguno de los datos que figuran en este formulario con fines de inclusión en listas de correos. Le agradecemos mucho que haya decidido comprar productos Dacor para su hogar y no consideramos que la venta de dicha información sea una forma correcta de expresar nuestra gratitud.

Nombre del propietario:

Calle: Apellido (Escriba a máquina o con letra de imprenta) Nombre Segundo nombre

Ciudad: Estado:

Código postal:

Fecha de compra: Email:

Teléfono:

Distribuidor:

Ciudad: Estado:

Código postal:

Le agradeceremos sinceramente que dedique unos segundos a rellenar esta sección. Gracias.

1. ¿Cuál fue su primer contacto con los productos Dacor? (Marque solo uno.)

- A. Televisión Programa culinario
- B. Revista
- C. Exposición del distribuidor
- D. Exposición de distribuidor de cocinas
- E. Exposición del hogar
- F. Constructor
- G. Arquitecto/Diseñador
- H. Otro propietario de Dacor
- I. Casa modelo
- J. Otro

2. ¿Dónde adquirió sus electrodomésticos Dacor?

- A. Distribuidor de electrodomésticos
- B. Distribuidor de cocinas
- C. Distribuidor del constructor
- D. Constructor
- E. Otro

3. ¿Con qué objeto compró el producto?

- A. Solo para **reemplazo**
- B. Parte de una remodelación
- C. Nueva casa
- D. Otro

4. ¿Cuáles son sus ingresos familiares?

- A. Menos de \$75,000
- B. \$75,000 - \$100,000
- C. \$100,000 - \$150,000
- D. \$150,000 - \$200,000
- E. \$200,000 - \$250,000
- F. Más de \$250,000

5. ¿Qué marcas de electrodomésticos tiene en su cocina?

- A. Placa de cocción
- B. Horno
- C. Lavavajillas
- D. Refrigerador

6. ¿Compraría o recomendaría otro producto Dacor?

- Sí
- No

Comentarios:

Le agradecemos mucho su ayuda. La información provista será extremadamente valiosa para ayudarnos a planificar el futuro y ofrecerle el soporte que merece.

Coloque aquí la etiqueta del número de serie

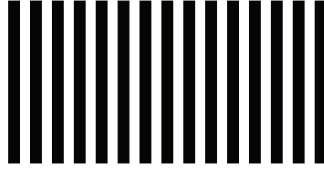
Sitio web: www.Dacor.com

Teléfono: 833-35-ELITE (833-353-5483)

cutar aquí



NO POSTAGE
NECESSARY
IF MAILED
IN THE
UNITED STATES



BUSINESS REPLY MAIL

FIRST-CLASS MAIL PERMIT NO 1600 CITY OF INDUSTRY CA

POSTAGE WILL BE PAID BY ADDRESSEE

DACOR
ATTN: WARRANTY PROCESSING DEPT
PO BOX 90070
CITY OF INDUSTRY, CA 91715-9907



fold here



DG68-01286A-00



Dacor • 14425 Clark Avenue, City of Industry, CA 91745
• Teléfono: 833-35-ELITE (833-353-5483) • Fax: (626) 403-3130 • www.dacor.com

dacor[®]

Manuel d'installation

Table de cuisson au gaz

DTG30P875N*

DTG36P875N*

AVERTISSEMENT : Si vous ne respectez pas scrupuleusement les informations contenues dans ce manuel, vous risquez de provoquer un incendie ou un choc électrique et, par conséquent, des dégâts matériels, blessures ou accidents mortels.

- **N'ENTREPOSEZ et N'UTILISEZ PAS** d'essence ou d'autres vapeurs et liquides inflammables à proximité de cet appareil ou de tout autre.
- **DANS LE CAS OÙ VOUS SENTEZ UNE ODEUR DE GAZ :**
 - **N'ESSAYEZ PAS** d'allumer un appareil quel qu'il soit.
 - **NE TOUCHEZ AUCUN** commutateur électrique.
 - **N'UTILISEZ PAS** de téléphone dans votre immeuble.
 - Appelez immédiatement votre fournisseur de gaz à partir du téléphone d'un voisin. Suivez les instructions de votre fournisseur de gaz.
 - Si vous ne parvenez pas à joindre votre fournisseur de gaz, appelez les pompiers.
- L'installation et l'entretien doivent être effectués par un installateur qualifié, une agence de maintenance ou votre fournisseur de gaz.

Table des matières

Avant de commencer	3
Informations importantes relatives à la sécurité	3
Composants de la table de cuisson au gaz	8
Éléments de la boîte	8
Conditions d'installation	10
Liste de contrôle pour la pré-installation	10
Conditions d'emplacement	10
Exigences en matière d'alimentation en gaz	12
Exigences spéciales en matière d'alimentation en gaz (modèles au gaz vendus dans le Massachusetts)	13
Exigences en matière de raccordement électrique	13
Consignes d'installation	14
Installation de votre table de cuisson au gaz	14
Étape 1 : Déballage de la table de cuisson	14
Étape 2 : Installation de la table de cuisson	14
Étape 3 : Raccordement de la table de cuisson à l'alimentation en gaz	16
Étape 4 : Vérification des fuites de gaz	17
Étape 5 : Raccordements électriques	18
Étape 6 : Assemblage des brûleurs de la table de cuisson	18
Étape 7 : Vérification de l'allumage des brûleurs de la table de cuisson	20
Étape 8 : Contrôle de la qualité de la flamme	20
Étape 9 : Installez les grilles.	21
Étape 10 : vérification finale de l'installation	22
Instructions de conversion au GPL (propane)	22
Pièces fournies	23
Conversion du régulateur de pression	24
Conversion des brûleurs de la table de cuisson	25
Réglage de la flamme faible sur les brûleurs de la table de cuisson	26

Avant de commencer

A propos de ce manuel

LISEZ ENTièrement ET ATTENTIVEMENT CES INSTRUCTIONS.

Remarque importante destinée à l'installateur

- Lisez l'intégralité des consignes d'installation avant d'installer la table de cuisson.
- Retirez tous les éléments d'emballage des compartiments de la table de cuisson avant de raccorder la table de cuisson à l'alimentation électrique et à l'arrivée de gaz.
- Respectez tous les codes et règlements en vigueur.
- Assurez-vous de laisser ces instructions à l'utilisateur.
- L'installation de cet appareil nécessite des connaissances mécaniques de base.
- Il incombe à l'installateur de poser correctement l'appareil.
- Tout dysfonctionnement imputable à une mauvaise installation n'est pas couvert par la garantie.

Remarque importante destinée à l'utilisateur

Conservez ces instructions avec votre manuel d'utilisation pour une référence ultérieure.

- Comme pour tout appareil générant de la chaleur, certaines consignes de sécurité sont à respecter.
- Assurez-vous que votre table de cuisson est correctement installée et mise à la terre par un installateur qualifié ou un technicien spécialisé.
- Assurez-vous que les revêtements muraux situés à proximité de la table de cuisson peuvent résister à la chaleur générée par celle-ci.
- La distance de l'armoire de stockage située au-dessus des brûleurs de la table de cuisson doit être au minimum de 30 po (76,2 cm).

Remarque importante destinée au prestataire

Le schéma électrique est attaché à l'intérieur du boîtier des brûleurs.

Informations importantes relatives à la sécurité

LISEZ TOUTES LES CONSIGNES DE SÉCURITÉ AVANT D'UTILISER L'APPAREIL

- Tous les appareils électriques et au gaz comportant des pièces mobiles présentent un danger. Veuillez lire les consignes de sécurité importantes pour cet appareil dans ce manuel. Ces instructions doivent être respectées afin de minimiser les risques de blessures graves, voire mortelles ou de dégâts matériels.
- Conservez ce manuel. Veuillez ne pas le jeter.

Symboles utilisés dans ce manuel

AVERTISSEMENT

Risques ou manipulations dangereuses susceptibles d'entraîner des blessures graves, voire mortelles.

ATTENTION

Risques ou manipulations dangereuses susceptibles d'entraîner un choc électrique, des blessures physiques ou des dégâts matériels.

REMARQUE

Conseils et consignes utiles.

Les icônes et symboles d'avertissement sont là pour minimiser les risques de blessure ; veuillez à bien les respecter. Après lecture de cette rubrique, conservez le manuel dans un endroit sûr afin de pouvoir le consulter ultérieurement.

Informations importantes relatives à la sécurité

California Proposition 65 Avertissement

⚠ AVERTISSEMENT

Cancer et Troubles de l'appareil reproducteur - www.P65Warnings.ca.gov

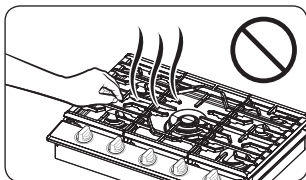
Commonwealth du Massachusetts

- Cet appareil doit être installé par un plombier certifié ou un monteur d'installations au gaz qualifié ou certifié par l'État du Massachusetts. Lorsque des vannes à bille sont utilisées pour la fermeture du gaz, elles doivent être munies d'une poignée en T. Il ne faut pas connecter plusieurs canalisations de gaz flexibles en série.

Sécurité générale

⚠ AVERTISSEMENT

Pour réduire le risque d'incendie, de choc électrique, de blessures et/ou de mort, respectez les précautions suivantes.



- **Ne touchez** à aucune pièce de la table de cuisson, y compris mais sans pour autant s'y limiter, aux brûleurs de la table de cuisson pendant ou immédiatement après la cuisson.
- **Repérez** la vanne de coupure de gaz et la façon de la fermer.

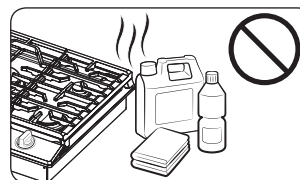
- **Assurez-vous** que les supports de maintien sont correctement installés sur la table de cuisson. Reportez-vous aux consignes d'installation pour plus d'informations.
- **Ne laissez pas les enfants jouer près de**, dans ou sur la table de cuisson. Ne laissez pas les enfants jouer avec la table de cuisson ni aucune de ses parties. Ne laissez jamais les enfants sans surveillance dans la pièce où est installée la table de cuisson.
- **Retirez** tout élément d'emballage de votre table de cuisson avant de l'utiliser afin d'éviter qu'ils ne prennent feu. Gardez tous les éléments d'emballage hors de la portée des enfants. Jetez correctement les matériaux d'emballage une fois la table de cuisson déballée.
- **N'entreposez pas** d'objets susceptibles d'éveiller l'intérêt des enfants sur la table de cuisson ou sur le dossier de cette dernière. Les enfants risquent, en grimpant sur la table de cuisson, de se blesser gravement, voire mortellement.

- **Ne faites pas fonctionner** la table de cuisson si une partie est endommagée, en cas de dysfonctionnement ou si des pièces manquent.
- **N'utilisez pas** la table de cuisson comme chauffage. Cette table de cuisson ne doit être utilisée que pour la cuisson.
- **Utilisez** uniquement des maniques sèches.
- **N'utilisez pas** la table de cuisson pour chauffer des aliments contenus dans des récipients fermés.
- **Débranchez** ou **coupez** l'alimentation avant de procéder à la réparation.

Sécurité incendie

⚠ AVERTISSEMENT

Pour réduire le risque d'incendie, de choc électrique, de blessures et/ou de mort, respectez les précautions suivantes.



- **N'entreposez, ne placez ni n'utilisez jamais** des matériaux inflammables ou combustibles tels que papier, du plastique, des maniques, tissus, rideaux, de l'essence ou autres vapeurs ou liquides inflammables à proximité de la table de cuisson.
- **Ne portez jamais** de vêtements amples et des accessoires pendants lorsque vous utilisez la table de cuisson.

- Pour éviter l'accumulation de la graisse, **nettoyez régulièrement** les orifices de ventilation.
- **Ne laissez pas** de maniques ou autres matériaux inflammables toucher un élément chauffant. N'utilisez pas de serviette ou tout autre torchon volumineux comme manique.
- **N'utilisez pas** d'eau pour éteindre les flammes de friture. Pour éteindre les flammes de friture, éteignez la source de chaleur et étouffez les flammes à l'aide d'un couvercle hermétique ou en utilisant un extincteur multifonction à poudre ou à mousse.
- **Ne faites pas chauffer** des aliments contenus dans des récipients fermés. L'accumulation de pression pourrait faire exploser les contenants et provoquer des blessures.

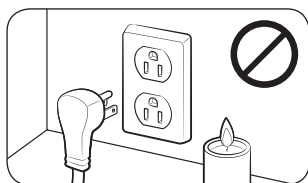
Sécurité liée au gaz

⚠ AVERTISSEMENT

Pour réduire le risque d'incendie, de choc électrique, de blessures et/ou de mort, respectez les précautions suivantes.

Si vous sentez une odeur de gaz :

- Fermez la vanne et n'utilisez pas la table de cuisson.
- N'allumez pas d'allumette, de bougie ou de cigarette.
- N'allumez aucun appareil au gaz ou électrique.



- Ne touchez aucun commutateur électrique et ne branchez pas de cordon d'alimentation sur une prise.
- N'utilisez pas de téléphone dans votre immeuble.
- Évacuez la pièce, l'immeuble ou le quartier de tous les occupants.
- Appelez immédiatement votre fournisseur de gaz à partir du téléphone d'un voisin. Suivez les instructions de votre fournisseur de gaz.
- Si vous ne parvenez pas à joindre votre fournisseur de gaz, appelez les pompiers.

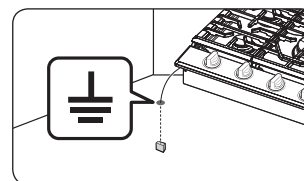
Vérification des fuites de gaz

- Un test de fuite de l'appareil doit être effectué selon les instructions du fabricant. N'utilisez pas de flamme pour vérifier s'il y a des fuites de gaz. Utilisez plutôt un pinceau pour étaler de l'eau savonneuse autour de l'endroit à vérifier. En cas de fuite de gaz, vous verrez au niveau de la fuite de petites bulles dans l'eau savonneuse.

Sécurité électrique et mise à la terre

⚠ AVERTISSEMENT

Pour réduire le risque d'incendie, de choc électrique, de blessures et/ou de mort, respectez les précautions suivantes.



- Branchez l'appareil sur une prise murale tripolaire reliée à la terre.
 - Ne retirez pas la broche de mise à la terre.
 - N'utilisez pas d'adaptateur ou de rallonge.
 - N'utilisez jamais une fiche ou un cordon d'alimentation endommagé(e) ou une prise d'alimentation mal fixée.
 - Ne modifiez pas d'aucune manière la fiche ou le cordon d'alimentation ou la prise murale.
-
- Ne mettez pas de fusible dans un circuit neutre ou de terre.
 - Utilisez un circuit électrique dédié de 120 V, 60 Hz, 20 A (CA) avec fusible pour cette table de cuisson. Il est recommandé d'utiliser un fusible à retardement ou un disjoncteur. Ne branchez pas plusieurs appareils sur ce circuit.
 - Ne branchez pas le câble de mise à la terre sur des canalisations en plastique ou des conduites de gaz ou d'eau chaude.
 - Cette table de cuisson **doit être reliée à la terre**. La mise à la terre réduit le risque de choc électrique, car elle fournit au courant un chemin de sortie en cas de dysfonctionnement ou de panne. Cette table de cuisson est équipée d'un cordon disposant d'une prise de mise à la terre. La fiche doit être branchée sur une prise secteur posée et mise à la terre conformément à la législation en vigueur. Si vous n'êtes pas sûr que la prise soit correctement mise à la terre, consultez un électricien qualifié afin qu'il vérifie.
 - Cette table de cuisson est fournie avec une prise tripolaire reliée à la terre. Ce cordon doit être branché dans une prise murale tripolaire mise à la terre et être conforme aux normes électriques en vigueur. Si les normes permettent l'utilisation d'un câble de mise à la terre séparé, nous vous recommandons de faire appel à un électricien qualifié afin qu'il détermine le chemin approprié pour ce câble.
 - L'installation électrique de la table de cuisson doit être conforme aux codes locaux. En dehors des codes locaux, l'installation électrique doit être conforme à la dernière norme ANSI/NFPA N°70 - dernière édition (pour les États-Unis) ou au code électrique canadien CSA C22.1 - dernière édition.

Informations importantes relatives à la sécurité

- Il relève de la responsabilité du propriétaire de la table de cuisson de fournir une installation électrique conforme.

Sécurité liée à l'installation

AVERTISSEMENT

Pour réduire le risque d'incendie, de choc électrique, de blessures et/ou de mort, respectez les précautions suivantes.

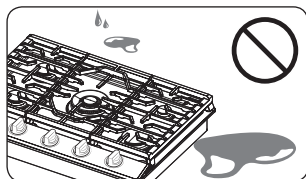
- Assurez-vous que votre table de cuisson est correctement installée et mise à la terre par un **installateur qualifié**, conformément aux instructions d'installation. L'installation et l'entretien doivent être effectués par des installateurs de tables de cuisson au gaz ou des techniciens de maintenance qualifiés.
- **Ne tentez pas** de réparer, de modifier ni ne remplacer les pièces de la table de cuisson vous-même, sauf si le présent manuel vous y autorise. Toute autre réparation devra être effectuée par un technicien qualifié.
- Utilisez toujours des connecteurs de flexibles neufs lorsque vous installez un appareil au gaz. **N'utilisez pas** d'anciens connecteurs de flexibles.
- **Assurez-vous que** les supports de maintien sont correctement installés sur la table de cuisson. Reportez-vous aux consignes d'installation pour plus d'informations.
- **Retirez** toutes les bandes et les matériaux d'emballage.
- **Retirez** tous les accessoires de la table de cuisson. Les grilles et les poêles sont lourdes. Soyez prudent lorsque vous les manipulez.
- **Assurez-vous** qu'aucune pièce ne se soit desserrée durant l'expédition.

- **Assurez-vous que** votre table de cuisson est correctement installée et réglée pour le type de gaz que vous allez utiliser (naturel ou GPL) par un installateur qualifié ou un technicien qualifié. Pour que votre table de cuisson puisse fonctionner au GPL, l'installateur doit remplacer les 5 orifices des brûleurs de la table de cuisson par le kit d'orifices GPL fourni et inverser l'adaptateur du potentiel de mise à la terre (GPR). Ces réglages doivent être effectués par un technicien de maintenance qualifié conformément aux consignes du fabricant ainsi qu'à tous les codes et exigences requises par l'autorité compétente. L'agence qualifiée effectuant ces travaux assume la responsabilité de la conversion de gaz.
- L'installation de cette table de cuisson doit être conforme aux codes locaux ou, en absence de codes locaux, au National Fuel Gas Code (Code national de gaz combustible), ANSI Z223.1/NFPA.54, dernière édition. Au Canada, l'installation doit être conforme au Natural Gas Installation Code (Code d'installation du gaz naturel), CAN/CGA-B149.1, en vigueur, ou au Propane Installation Code (Code d'installation du propane), CAN/CGA-B149.2, en vigueur, ainsi qu'aux codes locaux qui s'appliquent. Cette table de cuisson a été certifiée par ETL selon ANSI Z21.1, dernière édition, et par la Canadian Gas Association (l'Association canadienne du gaz) selon CAN/CGA-1.1, dernière édition.

Sécurité de l'emplacement

⚠ AVERTISSEMENT

Pour réduire le risque d'incendie, de choc électrique, de blessures et/ou de mort, respectez les précautions suivantes.



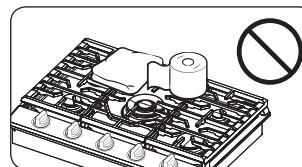
- Cette table de cuisson est destinée à une utilisation domestique uniquement à l'intérieur. **N'installez pas** la table de cuisson dans des zones exposées aux intempéries et/ou à l'eau.
- **N'installez pas** la table de cuisson à un endroit où elle sera exposée à de forts courants d'air.

- Sélectionnez un emplacement où une prise murale à 3 broches reliée à la terre est facilement accessible.
- Si la table de cuisson est placée à proximité d'une fenêtre, **n'accrochez pas** de longs rideaux ou de stores en papier sur cette fenêtre.
- Pour que la table de cuisson puisse ventiler correctement, le dégagement en haut, à l'arrière, sur les côtés et en dessous de la table de cuisson est suffisant. Les orifices de ventilation permettent l'échappement nécessaire à un fonctionnement et à une combustion corrects.
- **Assurez-vous que** les revêtements muraux situés à proximité de la table de cuisson peuvent résister à la chaleur générée par celle-ci, pouvant aller jusqu'à 194 °F (90 °C).
- Un placard de rangement est à éviter au-dessus de la surface de la table de cuisson. Si un placard de rangement est nécessaire au-dessus de la table de cuisson : respectez un dégagement minimum de 30 pouces (76,2 cm) entre la surface de cuisson et le bas des placards.

Sécurité liée à la table de cuisson

⚠ AVERTISSEMENT

Pour réduire le risque d'incendie, de choc électrique, de blessures et/ou de mort, respectez les précautions suivantes.



- **Assurez-vous que** tous les brûleurs sont éteints lorsqu'ils ne sont pas utilisés.
- **N'utilisez pas** de feuille d'aluminium pour revêtir les grilles ou toute autre partie de la table de cuisson.
- **Ne laissez pas** les brûleurs sans surveillance lors de réglages moyen ou élevé.
- Préalablement à l'allumage, **assurez-vous que** tous les chapeaux de brûleurs sont correctement en place et que tous les brûleurs sont de niveau.
- Utilisez toujours la position LITE (Allumage) pour allumer les brûleurs et assurez-vous qu'ils sont allumés. Si l'allumage échoue, tournez le bouton sur OFF (ARRÊT) et attendez que le gaz se dissipe.
- Lorsque vous réglez un brûleur sur mijotage, **ne tournez pas** le bouton rapidement. Assurez-vous que la flamme reste allumée.
- **Ne placez** aucun objet autre qu'un ustensile de cuisine sur la table de cuisson.
- Cette table de cuisson est conçue pour cuisiner avec un wok ou un anneau wok. Si vous faites flamber des aliments, faites-le sous une hotte de ventilation allumée.
- Avant de retirer ou de changer d'ustensile de cuisson, éteignez les brûleurs.
- Retirez les aliments et les ustensiles de cuisson immédiatement après la cuisson.
- Avant de retirer des parties du brûleur pour le nettoyage, assurez-vous que la table de cuisson est éteinte et complètement froide.
- Après nettoyage du diffuseur du brûleur, **assurez-vous** qu'il est complètement sec avant de le réassembler.
- Pour éviter l'empoisonnement par monoxyde de carbone, **ne versez pas** d'eau sur la table de cuisson lors du nettoyage.
- Sélectionnez des ustensiles qui sont conçus pour la cuisson en surface de la table de cuisson. Utilisez des ustensiles suffisamment grands pour couvrir la grille du brûleur. Ajustez les flammes du brûleur de sorte qu'elles ne s'étendent pas au-delà du fond de l'ustensile.
- Pour éviter la décoloration des ustensiles, leur déformation et/ou l'empoisonnement par monoxyde de carbone, **n'utilisez pas** d'ustensiles beaucoup plus grands que la grille.

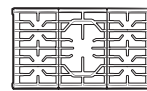
Informations importantes relatives à la sécurité

- Assurez-vous que les manches d'ustensiles sont dirigées vers les côtés ou l'arrière de la table de cuisson, et non au-dessus des brûleurs de la table de cuisson.
- Tenez-vous éloigné de la table de cuisson lorsque vous faites de la friture.
- Chauffez toujours lentement les huiles de friture et observez-les lorsqu'elles chauffent. Si vous faites frire des aliments à température élevée, observez attentivement le processus de cuisson. Si vous devez utiliser un mélange de graisses ou d'huiles pour frire, mélangez-les avant de les chauffer.
- Utilisez un thermomètre à friture si possible. Cela évite que l'huile ou la graisse soit chauffée au-delà du point de fumée.
- Employez une quantité minimale d'huile dans une poêle peu profonde ou une friteuse. Évitez de faire cuire les aliments décongelés ou avec des quantités excessives de glace.
- Avant de déplacer les ustensiles pleins de graisse ou d'huile, assurez-vous qu'ils sont complètement refroidis.
- Pour éviter une ébullition à retardement des liquides, laissez-les toujours reposer au moins une vingtaine de secondes une fois le brûleur éteint, ceci afin de permettre à la température de se stabiliser. En cas d'accident, effectuez les gestes de premiers secours suivants :
 1. Immergez la zone brûlée dans de l'eau froide ou tiède pendant au moins 10 minutes ;
 2. N'appliquez aucune crème, huile ou lotion ;
 3. Recouvrez-la d'un tissu propre et sec.

Composants de la table de cuisson au gaz

Éléments de la boîte

Pièces fournies



Grilles des brûleurs de la table de cuisson (3) *



Brûleurs de la table de cuisson et chapeaux de brûleurs (5) *



Gril en fonte (1) *



Anneau wok (1) *



Modèle



Vis (6)
(M4L10 2 pièces, M4 L16 2 pièces, W^{3/16} L75 2 pièces)



Régulateur (1) *



Supports de maintien (2) *



Cache (1)



Isolant adhésif

- Assurez-vous d'avoir reçu toutes les pièces fournies indiquées ci-dessus.
- Si votre table de cuisson a été endommagée lors du transport ou que vous n'avez pas reçu toutes les pièces, contactez votre revendeur local.

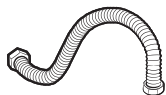
REMARQUE

Si vous souhaitez acheter un accessoire repéré par un * (astérisque), veuillez contacter le centre d'appels DACOR au numéro de téléphone indiqué en dernière page du présent manuel. Vous pouvez également consulter notre site Web de pièces en ligne à l'adresse suivante : www.dacor.com

Pièces requises



Vanne de coupure de gaz



Raccord d'appareil en métal flexible de diamètre intérieur de 12,7 mm (1/2 po) x 152 cm (5 pieds)



Raccord union évasé 3/4 po ou 1/2 po (NPT) x 1/2 po (Diamètre intérieur)



Raccord union évasé 1/2 po (NPT) x 1/2 po (Diamètre intérieur)



Coude de 135 degrés (facultatif)



Coude de 90 degrés (facultatif)

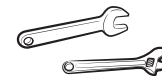
Outils requis



Tournevis à lame plate



Tournevis cruciforme



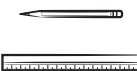
Clé à fourche ou clé à molette



Clé à tuyau (2)



Entraîneur pour écrou 1/4"



Crayon et règle



Niveau



Pâte à joint pour tuyau



Cutter



Solution d'eau savonneuse



Pince



Scie sauteuse

Conditions d'installation

Liste de contrôle pour la pré-installation

1. Lorsque vous préparez le découpage de l'emplacement de la table de cuisson, assurez-vous que l'intérieur du meuble et la table de cuisson n'interfèrent pas entre eux.
2. Retirez les matériaux d'emballage, les boîtes des grilles, le régulateur avec la documentation et l'emballage de la documentation de la table de cuisson avant de commencer l'installation.

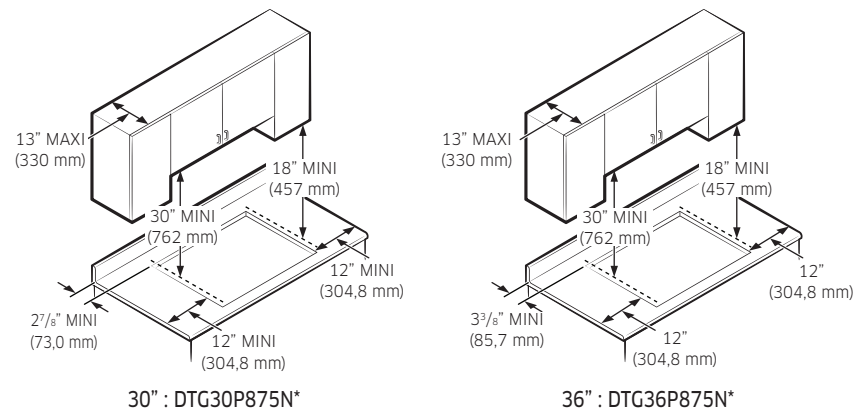
Conditions d'emplacement

AVANT DE COMMENCER l'installation de cet appareil, reportez-vous aux informations suivantes, aux dimensions et aux dégagements. Ces dimensions doivent être respectées afin d'assurer une utilisation de la table de cuisson en toute sécurité. L'emplacement de la prise et des tuyaux de gaz peut être réglé afin de respecter les dimensions et dégagements suivants.

⚠ ATTENTION

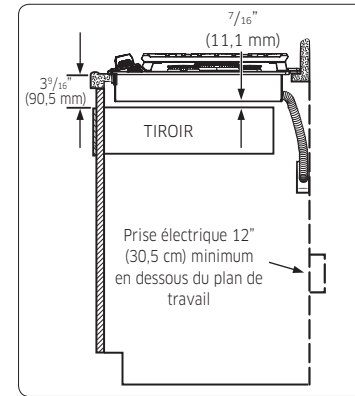
Cette table de cuisson a été conçue pour supporter la température maximale admissible de 194 °F (90 °C) pour les meubles en bois. Assurez-vous que le revêtement mural, les plans de travail et les meubles voisins situés autour de la table de cuisson peuvent résister à la chaleur générée par la table de cuisson (pouvant aller jusqu'à 194 °F [90 °C]). Dans le cas contraire, des éléments peuvent se décolorer, se décoller ou fondre.

Respect des dimensions suivantes de dégagement minimal



REMARQUE

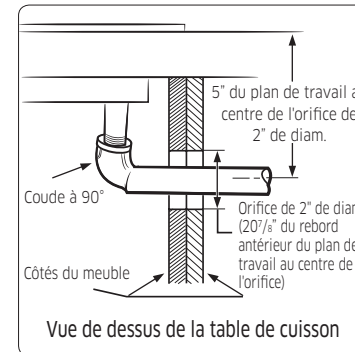
Tous les dégagements horizontaux doivent être respectés pour un minimum de 18" (457 mm) au-dessus de la surface de cuisson.



REMARQUE

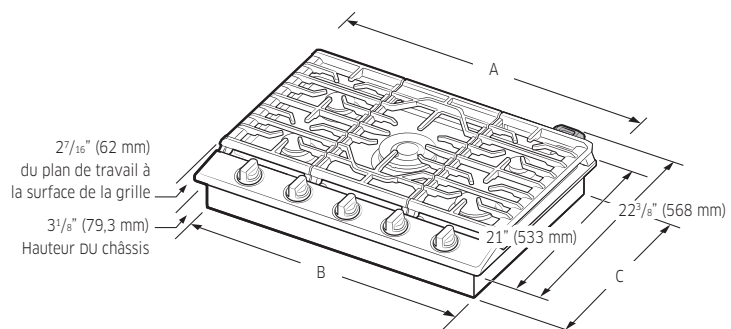
Laissez un dégagement vertical minimal de 7/16" du bas de la table de cuisson (ou 33/16" de profondeur minimale à partir du plan de travail) à toute surface combustible, notamment le bord supérieur ou un tiroir installé en dessous de la table de cuisson.

Installation par-dessus un four intégré



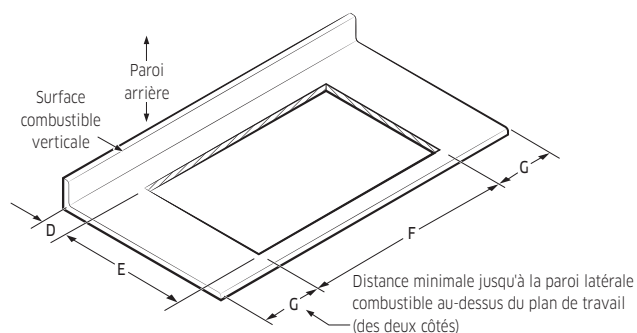
Reportez-vous à la procédure d'installation du four intégré pour connaître les instructions d'installation complètes.

Dimensions de la table de cuisson entière



Modèle	A	B	C
DTG30P875N*	30" (762 mm)	28 ¹ / ₈ " (715 mm)	19 ³ / ₈ " (492,1 mm)
DTG36P875N*	36" (914,4 mm)	33 ¹¹ / ₁₆ " (855 mm)	18 ⁷ / ₈ " (479 mm)

Dimensions du découpage de l'emplacement de la table de cuisson dans le plan de travail

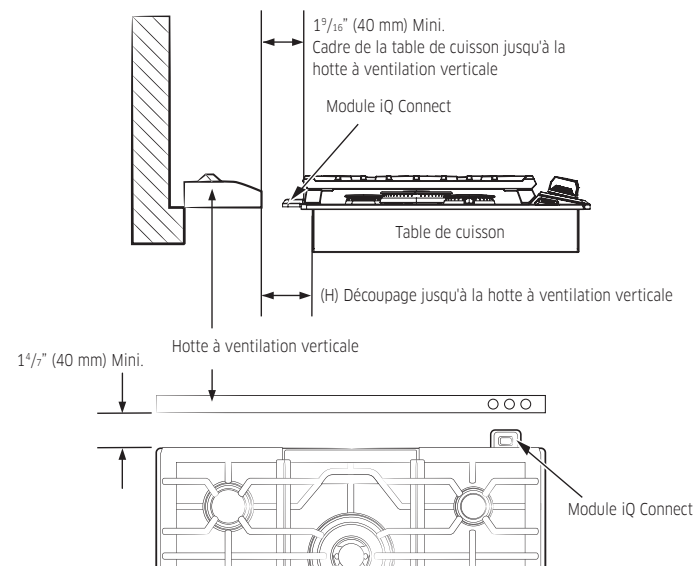


Modèle	(D) Minimum	(E) Minimum	(F) Minimum	(G) Minimum
DTG30P875N*	2 ⁷ / ₈ " (73 mm)	19 ⁵ / ₈ " (498,5 mm)	28 ¹ / ₂ " (723,9 mm)	12" (304,8 mm)
DTG36P875N*	3 ³ / ₈ " (85,7 mm)	19 ¹ / ₈ " (485,8 mm)	33 ⁷ / ₈ " (860,4 mm)	12" (304,8 mm)

Dimensions d'installation avec la hotte à ventilation verticale

REMARQUE

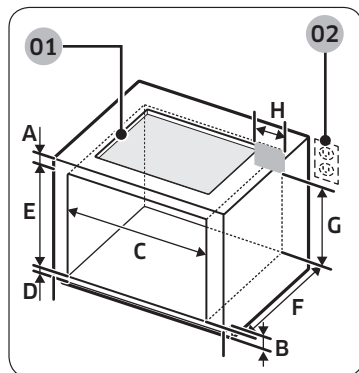
- Assurez-vous que les dimensions de dégagement sont respectées lorsque vous installez la table de cuisson avec la hotte à ventilation verticale.
- La table de cuisson peut être installée après avoir retiré le module iQ Connect. Pour retirer le module iQ Connect, consultez les instructions en page 15.



Modèle	(H) Minimum
DTG30P875N*	2 ⁷ / ₁₆ " (62 mm)
DTG36P875N*	3" (76 mm)

Conditions d'installation

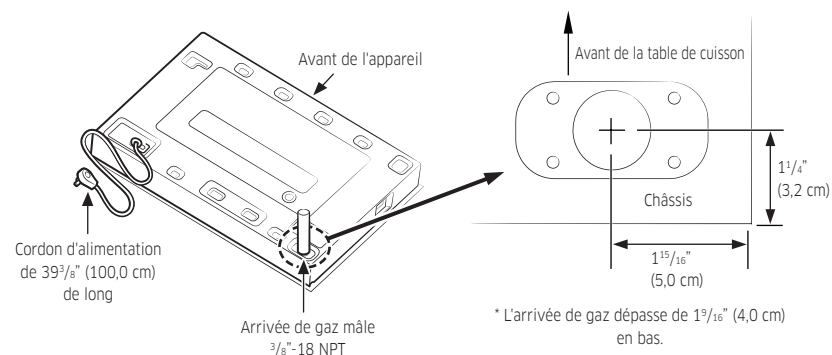
Four simple sous le plan de travail



- 01 Cette table de cuisson peut être installée au-dessus de n'importe quel four encastré simple. Reportez-vous au manuel d'installation du four.
- 02 Les raccordements à l'électricité et au gaz pour la table de cuisson au gaz doivent se trouver à un endroit accessible adjacent, sur la droite.

Dimensions	
A	Mini. 3 ³ / ₄ " (9,5 cm)
B	4" (10,1 cm)
C	Mini. 28 ¹ / ₂ " / Maxi. 28 ⁵ / ₈ " (Mini. 72,4 cm / Maxi. 72,7 cm)
D	Mini. 1" / Maxi. 1 ¹ / ₄ " (Mini. 2,5 cm / Maxi. 3,2 cm)
E	Mini. 27 ¹ / ₄ " / Maxi. 27 ³ / ₈ " (Mini. 69,2 cm / Maxi. 69,5 cm)
F	24" (61 cm)
G	Mini. 22" (Mini. 55,9 cm)
H	Maxi. 9 ¹ / ₂ " (Maxi. 24,1 cm) – Boîte de jonction

Emplacements et dimensions de l'installation



Exigences en matière d'alimentation en gaz

Assurer une arrivée de gaz adéquate

Cette table de cuisson a été conçue pour fonctionner sous une pression de 13 cm (5 po) de colonne d'eau au gaz naturel ou de 25 cm (10 po) de colonne d'eau au GPL (propane ou butane).

Assurez-vous d'alimenter votre table de cuisson avec le type de gaz pour lequel elle a été conçue. N'essayez pas de remplacer le gaz de l'appareil spécifié dans ce manuel par un gaz différent sans consulter votre fournisseur de gaz.

Cette table de cuisson est convertible pour une utilisation au gaz naturel ou au gaz propane. Si vous décidez d'utiliser la table de cuisson au GPL, la conversion doit être effectuée par un installateur de GPL qualifié avant d'essayer de faire fonctionner la table de cuisson.

Pour un bon fonctionnement, la pression de gaz naturel fourni au régulateur doit se situer entre 13 cm et 33 cm (5 po et 13 po) de colonne d'eau.

Pour le GPL, la pression fournie doit être comprise entre 25 cm et 33 cm (10 po et 13 po) de colonne d'eau.

Lors de la vérification du bon fonctionnement du régulateur, la pression d'entrée doit être d'au moins 2,5 cm (1 po) supérieure à celle du fonctionnement (répartiteur), comme indiqué.

Le régulateur de pression situé à l'entrée du répartiteur de la table de cuisson doit rester dans le circuit d'alimentation, peu importe si du gaz naturel ou du GPL est utilisé.

REMARQUE

- La table de cuisson est expédiée de l'usine avec un régulateur dans le carton de livraison. Utilisez uniquement le régulateur fourni. Le régulateur doit être installé sur le tuyau de gaz qui part de l'arrivée de gaz de la table de cuisson et va jusqu'à la vanne de coupure du gaz.
- Une vanne de coupure manuelle externe doit être installée entre l'entrée de gaz et la table de cuisson, dans le but d'ouvrir ou de fermer l'alimentation en gaz de l'appareil.
- Assurez-vous que les connecteurs sont installés lorsque vous devez faire effectuer un accouplement par un installateur qualifié.
- Ne réutilisez jamais d'anciens connecteurs lors de l'installation de la table de cuisson. L'utilisation d'anciens connecteurs peut entraîner des fuites de gaz et provoquer des blessures. Utilisez toujours des connecteurs flexibles neufs lorsque vous installez un appareil au gaz.

Exigences spéciales en matière d'alimentation en gaz (modèles au gaz vendus dans le Massachusetts)

EXIGENCES DU COMMONWEALTH DU MASSACHUSETTS :

AVERTISSEMENT

Des fuites de gaz peuvent se produire dans votre système, provoquant une situation dangereuse.

- Les fuites de gaz peuvent ne pas être détectées seulement par l'odeur.
- Les fournisseurs de gaz recommandent que vous achetiez et que vous installiez un détecteur de gaz homologué UL. Le détecteur de gaz devrait être installé conformément aux consignes des fabricants.
- La table de cuisson doit être installée par un plombier ou un monteur d'installations au gaz qualifié par l'État du Massachusetts.
- Une vanne de gaz manuelle munie d'une poignée en T DOIT être installée sur le tuyau d'arrivée de gaz de votre table de cuisson.
- Si un raccord de gaz flexible est utilisé pour l'installation de votre table de cuisson, il ne faut alors pas brancher plusieurs canalisations de gaz flexibles en série.

Exigences en matière de raccordement électrique

AVERTISSEMENT

- Il relève de la responsabilité du propriétaire de s'assurer que l'alimentation électrique respecte les exigences en matière de raccordement électrique et que la prise électrique a été correctement installée par un électricien certifié.
- Pour réduire le risque d'incendie, de décharge électrique ou de tout autre dommage corporel :

Toutes les tables de cuisson

- N'utilisez pas de rallonge ou de fiche intermédiaire avec cette table de cuisson.
- Cette table de cuisson doit être correctement reliée à la terre.
- Consultez un électricien qualifié si vous avez un doute quant à la bonne mise à la terre de votre table de cuisson.
- Ne modifiez pas la prise fournie avec votre table de cuisson : si elle ne s'adapte pas à votre prise murale, renseignez-vous auprès d'un électricien qualifié pour remplacer cette dernière.
- Le câblage et la mise à la terre doivent être conformes aux codes locaux ou, en l'absence de ceux-ci, avec le National Electrical Code (Code National Électrique), ANSI/NFPA n° 70 - dernière édition (pour les États-Unis) ou avec le Canadian Electrical Code (Code Électrique Canadien) CSA C22.1 - dernière édition et législations en vigueur.
- Le schéma de câblage se trouve à l'intérieur du boîtier des brûleurs.
- Cette table de cuisson est équipée d'un système d'allumage électronique qui ne fonctionnera pas s'il est branché à une prise n'étant pas correctement polarisée.

Tables de cuisson au gaz

- Tous les modèles au gaz sont équipés d'un cordon d'alimentation disposant d'un conducteur de protection et d'une prise de mise à la terre.
- Une installation électrique homologuée de 120 V, 60 Hz, CA avec un disjoncteur ou un fusible à retardement de 20 A est exigée pour tout modèle américain et canadien.

Mise à la terre

- Toutes les tables de cuisson doivent être mises à la terre pour votre sécurité personnelle.
- La fiche doit être branchée sur une prise secteur tripolaire posée et mise à la terre conformément à la législation en vigueur. La mise à la terre réduit le risque d'électrocution, car elle fournit au courant un chemin de sortie en cas de dysfonctionnement ou de panne.
- N'utilisez jamais un cordon d'alimentation endommagé ou une prise murale mal fixée.
- N'utilisez pas de rallonge ou d'adaptateur avec cet appareil.
- Ne coupez, ne modifiez, ne retirez ou ne démontez en aucun cas la (troisième) broche de mise à la terre du cordon d'alimentation. Si la prise ne s'adapte pas à la prise secteur ou si vous avez le moindre doute, renseignez-vous auprès d'un électricien qualifié pour remplacer cette dernière. Le client doit faire vérifier la prise murale et le circuit par un électricien qualifié afin de s'assurer que la prise est correctement mise à la terre.
- Ne branchez JAMAIS le câble de mise à la terre sur des canalisations en plastique ou des conduites de gaz ou d'eau chaude.

⚠ ATTENTION

Le non-respect de ces consignes peut entraîner un incendie ou une électrocution et avoir des conséquences mortelles.

Conditions d'installation supplémentaires pour mobile-homes

L'installation d'appareils conçus pour les mobile-homes doit se conformer à la Manufactured Home Construction and Safety Standard (norme de sécurité et de structure pour mobile-homes), titre 24 CFR, partie 3280 (anciennement la Federal Standard for Mobile Home Construction and Safety (norme fédérale sur la sécurité et la structure pour mobile-homes), titre 24, HUD, partie 280) ou, dans les cas où cette norme n'est pas applicable, le Standard for Manufactured Home Installations (norme pour les installations dans les mobile-homes), dernière édition (Manufactured Home Sites, Communities and Set-Ups (installations, communautés et sites de mobile-homes)), ANSI A225.1, dernière édition, ou au codes locaux. Au Canada, l'installation de mobile-home doit respecter l'actuel CAN/CSA Z240/MH Mobile Home Installation Code (code actuel sur l'installation de mobile-home CAN/CSA Z240/MH).

Consignes d'installation

Installation de votre table de cuisson au gaz

IMPORTANT :

Veuillez lire attentivement les consignes suivantes dans leur totalité, ainsi que la section des consignes de sécurité importantes au début de ce manuel, AVANT d'installer et/ou de faire fonctionner la table de cuisson au gaz. Une installation, un réglage, une manipulation ou un entretien incorrect peut entraîner des blessures ou des dégâts matériels.

📖 REMARQUE

Pour assurer une bonne installation, nous vous recommandons fortement d'engager un installateur professionnel.

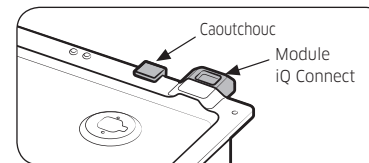
Étape 1 : Déballage de la table de cuisson

Retirez le matériel d'emballage. Tout matériel d'emballage non retiré risque d'endommager l'appareil.

Comptez toutes les pièces détachables en vous référant à la liste des pièces et composants répertoriée en page 8.

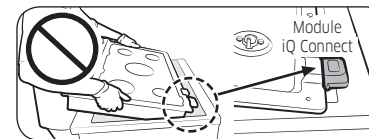
Vérifiez que l'appareil n'a subi aucun dommage lors du transport et/ou qu'aucune pièce ne manque. Tout dommage et/ou pièce manquante doit être signalé à votre revendeur local.

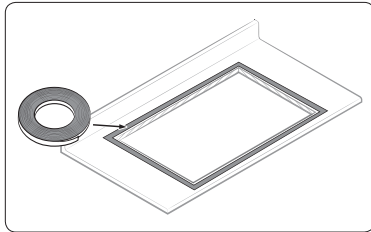
Étape 2 : Installation de la table de cuisson



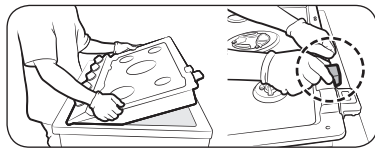
⚠ ATTENTION

- Lors de l'insertion de la table de cuisson dans le découpage de son emplacement, ne retirez pas le morceau de caoutchouc protégeant le module iQ Connect. Le morceau de caoutchouc de protection doit être retiré après avoir inséré soigneusement la table de cuisson.
- Lors du montage de la table de cuisson, assurez-vous d'insérer cette dernière en commençant par l'avant. Une insertion en commençant par l'arrière risque d'endommager le module Wi-Fi.



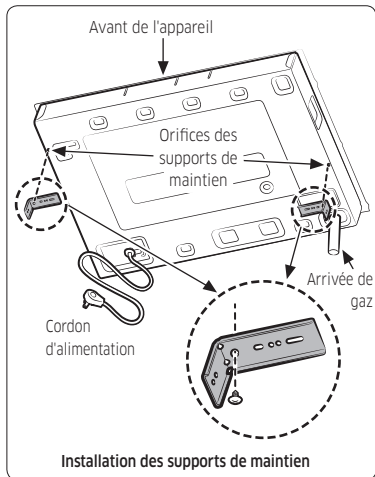


1. Repérez la prise électrique et la vanne de coupure du gaz en dessous du meuble.
2. Appliquez de l'isolant adhésif autour des bords du découpage de l'emplacement de la table de cuisson. Ne le faites pas se chevaucher avec les bandes de mousse.
 - La bande de mousse aide à éviter d'endommager le dessous de la table de cuisson avec des débris. Elle aide également à poser bien à plat la table de cuisson sur des comptoirs irréguliers.



Installation correcte

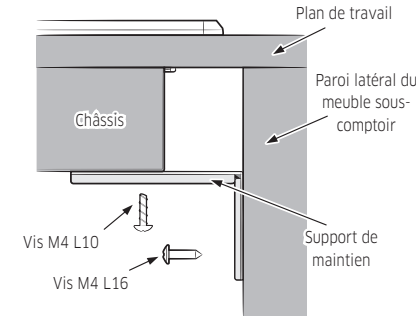
3. Protection de la surface de la table de cuisson
 - Placez une serviette ou une nappe sur le plan de travail.
4. Déposez doucement la table de cuisson, en commençant par le bas. Ensuite, soulevez légèrement l'arrière pour retirer le caoutchouc de protection pour le module Wi-Fi.
 - Assurez-vous que le rebord antérieur du plan de travail est parallèle à la table de cuisson.
 - Faites un contrôle final pour vérifier que tous les dégagements requis sont respectés.
5. Fixez la table de cuisson en place sur le plan de travail à l'aide des deux supports de maintien fournis, comme indiqué.



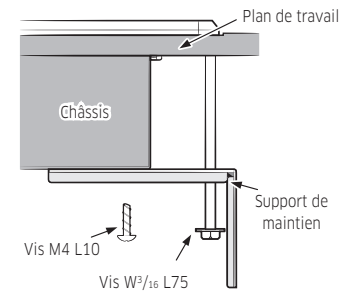
Installation des supports de maintien

Guide d'installation des supports de maintien

Cas 1.



Cas 2.



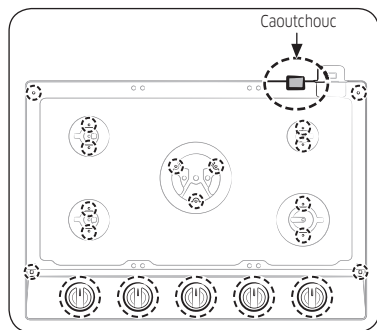
REMARQUE

Le module iQ Connect peut/doit être détaché avant d'installer la table de cuisson dans les cas suivants :

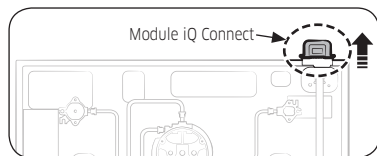
- L'utilisateur n'a pas besoin de la fonction iQ Connect.
- L'installation n'est pas possible car le module iQ Connect dépasse contre la paroi arrière du plan de travail.
- La hotte à ventilation verticale est installée et dépasse contre le module iQ Connect.

Le cache doit être installé à la place du module iQ Connect si ce dernier a été retiré. Veuillez lire les instructions suivantes concernant la procédure pour détacher le module iQ Connect.

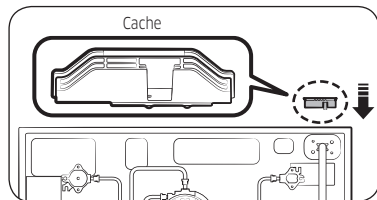
Consignes d'installation



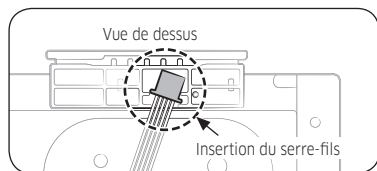
1. Retirez les vis au niveau des 5 chapeaux de brûleur et les 4 vis au niveau du cadre de la table de cuisson. Retirez le caoutchouc protégeant le module iQ Connect. Retirez tous les boutons de réglage en tirant dessus, puis soulevez le cadre de la table de cuisson pour le retirer.



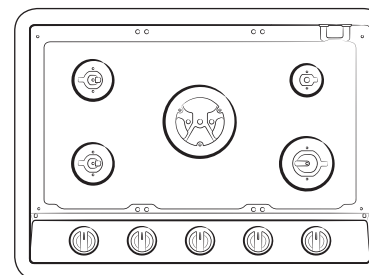
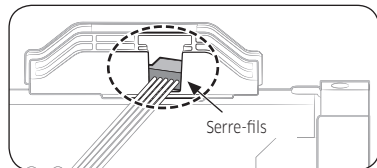
2. Détachez le module iQ Connect au niveau du boîtier des brûleurs. Débranchez le serre-fils au niveau de la carte de circuit imprimé;



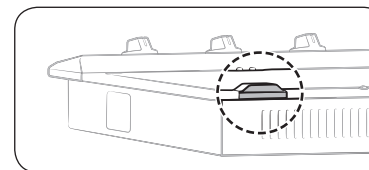
3. Installez le cache fourni à la place du module iQ Connect.



4. Insérez le serre-fils en diagonale dans le cache. Assurez-vous qu'il est fermement en place.



5. Réinstallez tous les chapeaux de brûleur et le cadre de la table de cuisson en position d'origine, puis remettez en place tous les boutons de réglage.



Étape 3 : Raccordement de la table de cuisson à l'alimentation en gaz

Fermez la vanne d'arrivée de gaz principale avant de débrancher votre ancienne table de cuisson et laissez-la fermée jusqu'à ce que les branchements électriques soient terminés. Lorsque vous rouvrez le gaz, n'oubliez pas de rallumer le brûleur sur les autres appareils au gaz.

Puisque les tuyaux rigides restreignent le déplacement de la table de cuisson, l'utilisation d'un raccord d'appareil en métal flexible conforme aux normes CSA internationales est recommandé, sauf si les codes locaux exigent un branchement avec tuyaux rigides.

⚠ AVERTISSEMENT

Si vous ne respectez pas scrupuleusement les informations contenues dans ce manuel, vous risquez de provoquer un incendie ou un choc électrique et, par conséquent, des dégâts matériels, blessures ou accidents mortels.

- N'entreposez et n'utilisez pas d'essence ou d'autres vapeurs et liquides inflammables à proximité de cet appareil ou de tout autre.
- DANS LE CAS OÙ VOUS SENTEZ UNE ODEUR DE GAZ :
 - N'allumez PAS d'allumette, de bougie ou de cigarette.
 - N'ESSAYEZ PAS d'allumer un appareil quel qu'il soit.

- NE TOUCHEZ AUCUN commutateur électrique.
 - N'UTILISEZ PAS de téléphone dans votre immeuble.
 - Évacuez la pièce, l'immeuble ou le quartier de tous les occupants.
 - Appelez immédiatement votre fournisseur de gaz à partir du téléphone d'un voisin. Suivez les instructions de votre fournisseur de gaz.
 - Si vous ne parvenez pas à joindre votre fournisseur de gaz, appelez les pompiers.
- L'installation et l'entretien doivent être effectués par un installateur qualifié, une agence de maintenance ou votre fournisseur de gaz.
 - N'installez pas la table de cuisson sans installer également le régulateur de pression de gaz inclus. N'utilisez pas la table de cuisson sans avoir installé le régulateur.
 - Assurez-vous que la flèche sur le régulateur pointe dans le sens de flux du gaz, en direction de la table de cuisson.
 - N'appliquez pas de pression excessive lorsque vous serrez les connexions et raccords de gaz.
 - Avant utilisation, testez les tuyaux de gaz à la recherche de fuites, conformément aux instructions. N'utilisez pas de flamme pour vérifier s'il y a des fuites.

N'utilisez jamais un ancien connecteur lors de l'installation d'une nouvelle table de cuisson. Si la méthode des tuyaux rigides est employée, vous devez aligner les tuyaux avec précision ; la table de cuisson ne peut plus être déplacée une fois le branchement établi.

Afin d'éviter des fuites de gaz, appliquez de la pâte de joint pour tuyau ou enroulez du ruban de filetage de tuyau avec du téflon sur tous les filetages de tuyau mâle (externe).

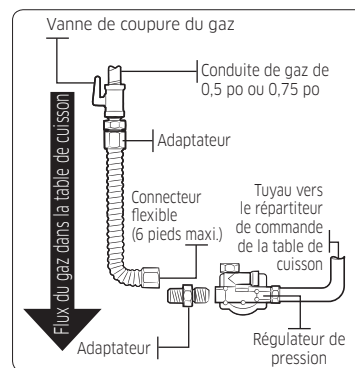
1. Attachez le régulateur de pression de gaz (inclus avec la table de cuisson) sur l'entrée du mamelon du tuyau de la table de cuisson. Pour des installations hermétiques, le régulateur peut être installé en amont du mamelon du tuyau, à n'importe quel endroit entre la vanne de coupure et la table de cuisson. Pour des performances optimales, minimisez la perte de pression de gaz en attachant le régulateur aussi près que possible de l'entrée de gaz de la table de cuisson.
2. Effectuez le raccordement de l'alimentation en gaz sur la table de cuisson en installant un tuyau de gaz flexible entre le régulateur de pression et la vanne de coupure.

⚠ AVERTISSEMENT

Ne dépassez pas 25 pi-lb de couple de serrage lorsque vous réalisez des raccordements de tuyaux de gaz. Si vous serrez trop, le régulateur de pression risque de fissurer ce qui entraînerait une fuite de gaz.

Branchement du raccord flexible

Installateur : Informez le client de l'emplacement de la vanne de coupure de gaz.



REMARQUE

La vanne de coupure de gaz devrait être installée dans un endroit accessible au niveau du tuyau de gaz, externe à l'appareil, dans le but d'ouvrir ou de fermer l'alimentation en gaz de l'appareil.

Étape 4 : Vérification des fuites de gaz

⚠ AVERTISSEMENT

Afin d'éviter tout accident mortel, blessure, explosion et/ou risque d'incendie, NE VÉRIFIEZ PAS la présence de fuites de gaz à l'aide d'une flamme.

Lorsque vous utilisez une pression de test de plus de ½ psig afin de tester la pression du système d'alimentation en gaz du domicile, débranchez du tuyau d'arrivée de gaz la table de cuisson ainsi que la vanne de coupure individuelle. Lorsque vous utilisez une pression de test de ½ psig ou moins afin de tester le système d'alimentation en gaz, isolez simplement la table de cuisson du système en fermant la vanne de coupure de gaz individuelle.

1. Lorsque tous les branchements sont effectués, assurez-vous que tous les boutons de la table de cuisson sont sur la position arrêt, puis ouvrez la vanne d'arrivée de gaz principale.
2. Utilisez un détecteur de fuite liquide sur tous les joints et branchements afin de repérer les fuites dans le système.
3. Serrez tous les connecteurs si nécessaire, afin d'empêcher une fuite de gaz dans la table de cuisson ou dans le tuyau d'alimentation.

Consignes d'installation

Étape 5 : Raccordements électriques

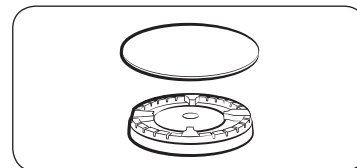
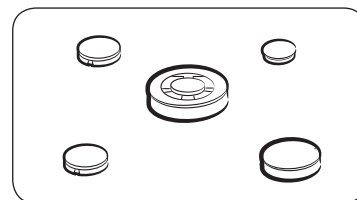
⚠ AVERTISSEMENT

- Coupez toute l'alimentation électrique du disjoncteur principal ou de la boîte à fusibles avant l'installation.
 - AVANT TOUT FONCTIONNEMENT OU TEST, respectez les conditions de mise à la terre des pages **14** de ce manuel. Tout raccordement non conforme de la prise de mise à la terre peut entraîner un risque d'électrocution.
 - Toutes les tables de cuisson au gaz sont livrées avec un cordon d'alimentation. Le cordon d'alimentation est branché en bas de la table de cuisson. Veuillez vous reporter à la section « Exigences en matière de raccordement électrique » aux pages **13**.
 - Le système électrique, y compris le cordon d'alimentation, est préinstallé et prébranché à l'usine. Modifier une pièce de ce système peut conduire à un court-circuit ou à une surcharge.
1. Branchez le cordon d'alimentation. Assurez-vous que la prise secteur est conforme aux codes en matière d'électricité locale ou nationale, comme répertoriés aux pages **13**.
 2. Vérifiez le tuyau d'arrivée de gaz pour vous assurer qu'il n'a subi aucun dommage et qu'il est resté branché pendant le positionnement.

Étape 6 : Assemblage des brûleurs de la table de cuisson

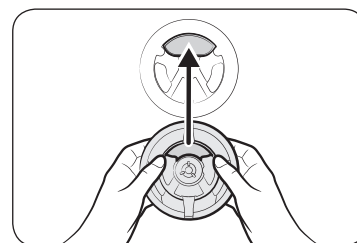
⚠ ATTENTION

- Ne faites pas fonctionner les brûleurs de la table de cuisson si toutes les pièces de ceux-ci ne sont pas en place.
- Veillez à ne pas presser l'une des commandes de la table de cuisson pendant son retrait. Un léger choc électrique peut résulter et pourrait vous faire tomber sur un ustensile chaud.
- Ne retirez pas le dessus d'un brûleur et ne touchez pas l'électrode d'un brûleur pendant qu'un autre brûleur est allumé. Il existe un risque d'électrocution.

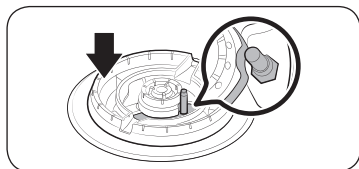


1. Placez les têtes des brûleurs de la table de cuisson par-dessus les coupelles de répartition des brûleurs de la table de cuisson, comme illustré à droite. Les électrodes seront adaptées à la fente se trouvant sous les têtes de brûleurs. Assurez-vous que les têtes des brûleurs de la table de cuisson sont plates et parallèles à la table de cuisson.
2. Placez ensuite les chapeaux de tailles correspondantes par-dessus chaque tête des brûleurs de la table de cuisson.

Tête des brûleurs doubles

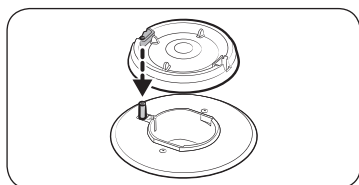


1. Comme indiqué, insérez la zone marquée de la tête du brûleur dans la zone correspondante du chapeau du brûleur, de sorte qu'elles soient alignées.

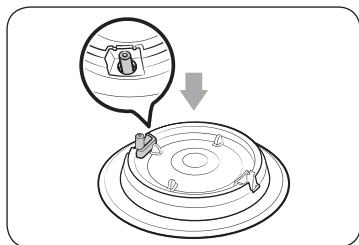


2. Installez la tête du brûleur afin que l'électrode passe à travers l'ouverture destinée à l'électrode. Assurez-vous que la tête du brûleur porte bien à plat sur le dessus de la cuisinière.

Tête des brûleurs circulaires



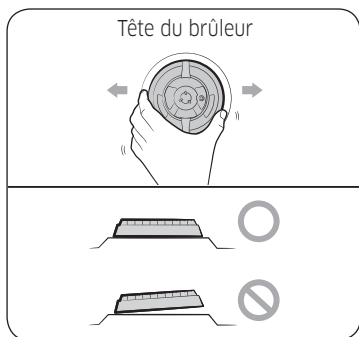
1. Orientez la tête du brûleur afin que l'ouverture pour l'électrode soit alignée avec l'électrode.



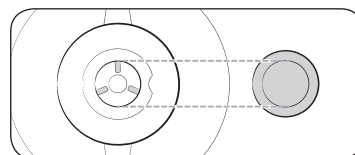
2. Installez la tête du brûleur afin que l'électrode passe à travers l'ouverture destinée à l'électrode. Assurez-vous que la tête du brûleur porte bien à plat sur le dessus de la cuisinière.

⚠ ATTENTION

Assurez-vous que tous les composants des brûleurs (têtes et chapeaux) sont correctement réinstallés. Ils seront stables et reposeront à plat lorsqu'ils seront correctement positionnés.



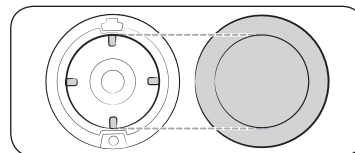
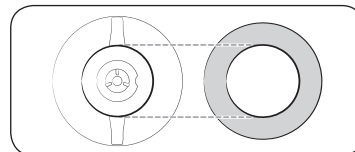
Chapeau du brûleur



1. Faites correspondre les chapeaux des brûleurs avec les brûleurs par taille, puis réinstallez les chapeaux sur les têtes des brûleurs.

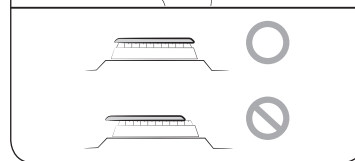
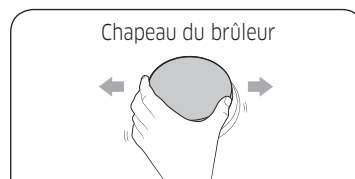
⚠ ATTENTION

Assurez-vous que chaque chapeau est réinstallé sur la bonne tête de brûleur, qu'il est centré sur la tête du brûleur et qu'il porte bien à plat.



⚠ ATTENTION

Assurez-vous que tous les composants des brûleurs (têtes et chapeaux) sont correctement réinstallés. Ils seront stables et reposeront à plat lorsqu'ils seront correctement positionnés.



Dessus	Dessous

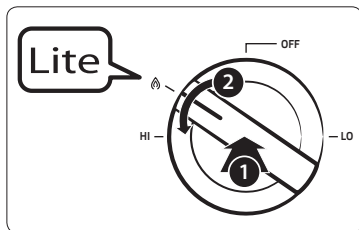
📖 REMARQUE

Le chapeau (arrière droit) du brûleur de mijotage précis et le chapeau (central) du brûleur double intérieur sont interchangeables.

Consignes d'installation

Étape 7 : Vérification de l'allumage des brûleurs de la table de cuisson

Vérifiez le bon fonctionnement de tous les brûleurs de la table de cuisson après que cette dernière a été installée et montée, que les tuyaux d'alimentation en gaz ont été soigneusement contrôlés à la recherche de fuites et que le cordon d'alimentation électrique a été branché.



Pour allumer un brûleur de la table de cuisson

1. Pressez et tournez le bouton de commande de ce brûleur de la table de cuisson sur la position Lite (Allumage). Le petit bruit sec indique que le système d'allumage électronique fonctionne correctement. Le brûleur s'allumera au bout de 4 secondes environ, une fois que l'air aura été purgé du tuyau d'alimentation.
2. Lorsque le brûleur s'allume, tournez le bouton de commande sur le réglage souhaité. Le petit bruit sec s'arrêtera et la hauteur de la flamme changera de Max. (maximum) à Min. (minimum) lorsque vous tournerez le bouton de commande.
3. Répétez les étapes 1 et 2 afin de vérifier le bon fonctionnement de chaque brûleur de la table de cuisson, l'un après l'autre.

REMARQUE

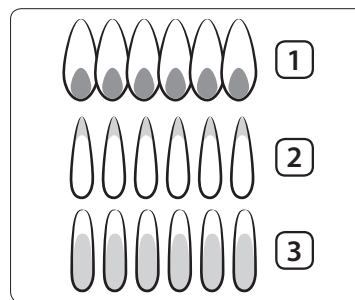
- Si le brûleur ne s'allume pas au bout de 4 secondes, désactivez le bouton et attendez une minute avant de réessayer.
- Lorsque vous pressez et tournez le bouton de commande, tous les dispositifs d'allumage par étincelle génèrent une série d'étincelles, mais seul le brûleur mis en position Lite (Allumage) s'allume.

Étape 8 : Contrôle de la qualité de la flamme

Les flammes des brûleurs doivent toutes être contrôlées visuellement afin de déterminer leur qualité de combustion.

ATTENTION

Si vous essayez de mesurer la flamme, veuillez faire preuve de prudence. Vous risquez de vous brûler.



1. Des flammes bleu clair sont normales pour un fonctionnement au gaz naturel.
2. Des pointes jaunes à l'extrémité des cônes sont normales pour un fonctionnement au GPL.
3. Des flammes jaunes ont anormales pour un fonctionnement avec tous les gaz; contactez le service technique.

REMARQUE

Si la flamme du brûleur ressemble à la 3, la table de cuisson ne doit pas être utilisée à moins d'être révisée. Contactez le service technique. Normalement les flammes du brûleur doivent ressembler à 1 ou 2, en fonction du type de gaz que vous utilisez.

Étape 9 : Installez les grilles.

REMARQUE

Installez les grilles comme indiqué ci-dessous pour optimiser leur durée de vie. Lorsqu'elles sont installées correctement, les ouvertures sur les grilles sont centrées par-dessus les brûleurs.

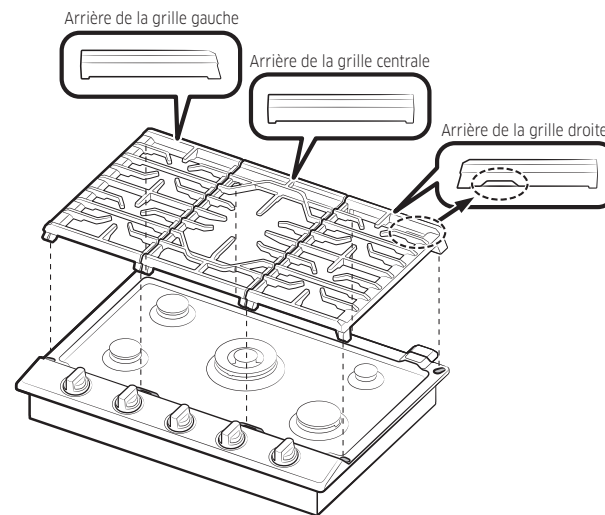
Les trois grilles de la table de cuisson sont conçues pour s'insérer à des emplacements spécifiques sur la table de cuisson. Pour une stabilité optimale, ces grilles doivent être utilisées uniquement à leurs emplacements appropriés.

- Merci de placer la grille « G » du côté gauche et la grille « D » du côté droit.
- La grille centrale doit être installée avec la partie « BACK (ARRIÈRE) », orientée vers l'arrière de la table de cuisson.

L'arrière de la grille droite possède une encoche pour vous aider à orienter correctement les grilles. Reportez-vous à l'illustration ci-dessous.

Pour remplacer correctement les grilles, procédez comme suit :

1. Repérez l'encoche à l'arrière de la grille droite.
2. Orientez la grille droite de sorte qu'elle se trouve sur la droite de la table de cuisson, avec l'encoche à l'arrière.
3. Abaissez doucement les pieds de la grille droite dans les orifices correspondants sur la table de cuisson.
4. Abaissez doucement les pieds des deux grilles restantes dans les orifices correspondants sur la table de cuisson, comme indiqué sur l'illustration.



Consignes d'installation

Étape 10 : vérification finale de l'installation

AVERTISSEMENT

- Pour assurer une installation sûre et appropriée, la liste de contrôle suivante doit être complétée par l'installateur afin de vérifier qu'aucune étape de la procédure d'installation n'a été survolée.
- La bonne installation de l'appareil relève de la responsabilité du propriétaire du domicile. L'importance d'une bonne installation de votre table de cuisson Dacor ne doit pas être sous-estimée.

L'installation de votre table de cuisson est à présent terminée. Assurez-vous que tous les boutons de commande sont sur la position Off (Arrêt). Ci-dessous se trouve une liste de contrôle permettant de confirmer que votre table de cuisson est installée en toute sécurité et prête à l'emploi.

- Le tuyau de gaz a correctement été raccordé à la table de cuisson. Le gaz a été allumé. Toutes les connexions ont été vérifiées afin de repérer les fuites de gaz.
- La table de cuisson est bien branchée sur la prise électrique correctement reliée à la terre.
- Les brûleurs et grilles de la table de cuisson ont correctement été assemblés.
- Toutes les connexions ont été vérifiées afin de garantir un bon fonctionnement.

Instructions de conversion au GPL (propane)

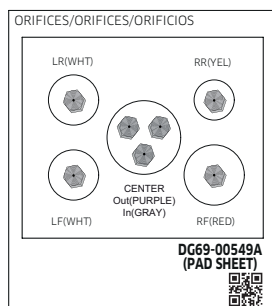
AVERTISSEMENT

- La conversion au GPL doit être réalisée par un installateur qualifié ou un fournisseur de gaz en accord avec les instructions du fabricant et de tous les codes et exigences des autorités compétentes. Le non respect de TOUTES ces instructions est susceptible d'entraîner des blessures graves ou des dégâts matériels. L'agence qualifiée effectuant ces travaux assume la responsabilité de la conversion.
- Repérez la vanne de coupure de gaz et la façon de la fermer si nécessaire.
- Débranchez ou coupez l'alimentation avant de procéder à la réparation.
- Ne faites pas fonctionner les brûleurs de la table de cuisson en cas de fonctionnement au GPL avant d'avoir converti le régulateur de pression et les orifices des brûleurs pour le fonctionnement au GPL. Le non-respect de cette consigne est susceptible de provoquer des flammes hautes et des fumées toxiques pouvant entraîner de graves blessures.
- Ne mélangez pas ou ne remplacez pas les orifices de brûleur pour fonctionnement au GPL pendant l'opération de conversion. Le placement incorrect d'un orifice affectera le brûleur et les performances de cuisson et est susceptibles d'entraîner des blessures corporelles et/ou des dégâts matériels.

Toutes les tables de cuisson au gaz DACOR sont fabriquées et livrées afin d'être utilisées avec du gaz naturel. Les tables de cuisson sont également livrées avec des kits de conversion GPL afin de pouvoir les utiliser avec du GPL. Le kit comprend un ensemble d'orifices de brûleur adapté en termes de taille qui doit être utilisé dans les brûleurs de la table de cuisson. Ces orifices sont placés sur une feuille de carton et dans un sachet en plastique. Le sachet est fourni avec le manuel d'utilisation. L'orifice du régulateur de pression est un orifice à double usage : un côté pour le gaz naturel et l'autre pour le GPL.

Pièces fournies

Le kit de conversion PL contient les pièces ci-dessous :



DTG30P875N*/DTG36P875N*

Les positions des orifices sont marquées sur la feuille fournie. Le raccord du régulateur de pression est installé en usine pour une utilisation au gaz naturel (GN). La conversion au PL nécessite le retrait du raccord et une nouvelle installation pour l'usage au PL.

TAILLE DES ORIFICES DES BRÛLEURS ET PUISSANCE (GPL [Propane] 10 dans WCP)		
Emplacement du brûleur	Taux BTU	Taille de l'orifice [mm]
AvD	11500	1,04
AvG	7500	0,83
ArD	4000	0,62
ArG	7500	0,83
Central	14500	Entrée : 0,46 / Sortie : 0,74 (2 pièces)

TAILLES DES ORIFICES DES BRÛLEURS ET PUISSANCE
(Gaz naturel 5 dans WCP)

Emplacement du brûleur	Taux BTU	Taille de l'orifice [mm]
AvD	13000	1,64
AvG	9500	1,40
ArD	5000	1,01
ArG	9500	1,40
Central	19000	Entrée : 0,70 / Sortie : 1,30 (2 pièces)

REMARQUE



Repères des orifices :

115 - Indique une ouverture de 1,15 mm de l'orifice.

Consignes d'installation

Outils nécessaires



Clé à molette



Clé à fourche de 1/2"



Tournevis : cruciformes



Petit tournevis de précision à lame plate



Tournevis à douille : 9/32" ou 7 mm

Si vous souhaitez effectuer les modifications nécessaires pour utiliser du GPL, suivez les étapes et les procédures ci-dessous :

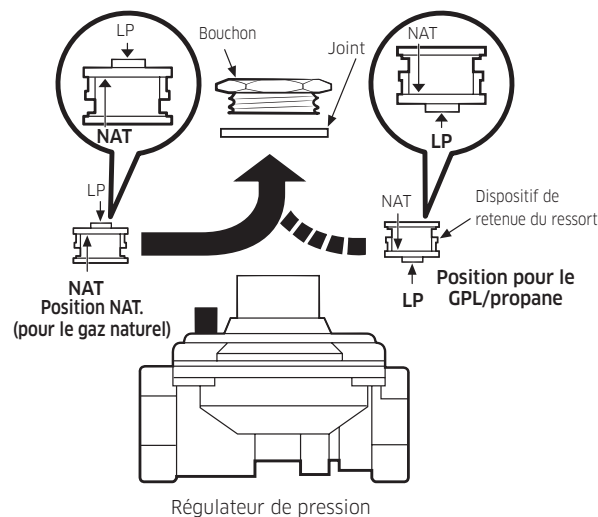
1. Débranchez l'alimentation électrique de la table de cuisson. Débranchez le cordon d'alimentation de la table de cuisson, faites sauter le disjoncteur ou retirez le fusible de la boîte à fusibles.
2. Fermez l'alimentation en gaz de la table de cuisson. Fermez la vanne de coupure manuelle de la table de cuisson.

Conversion du régulateur de pression

REMARQUE

lorsque vous utilisez du GPL pour alimenter votre table de cuisson, effectuez les étapes ci-dessous avant de régler la puissance des flammes.

1. Avec vos doigts, tournez le chapeau. Observez soigneusement le dispositif de retenue du ressort pour repérer la position NAT (pour le gaz naturel) ou LP (pour le GPL).



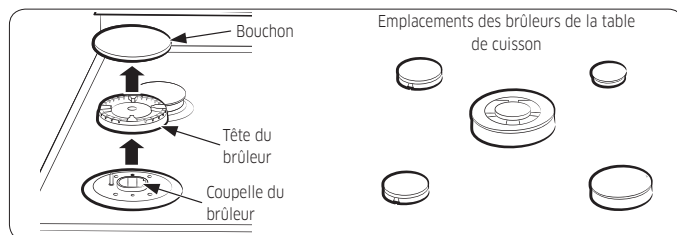
2. Retournez le dispositif de retenue du ressort en le faisant tourner de 90 degrés et retirez-le du chapeau en tirant dessus. Retournez le dispositif de retenue du ressort de sorte d'afficher la position LP (pour le GPL). Réinsérez-le sur le chapeau, puis tournez-le de 90 degrés pour le mettre en position.
3. Revissez le chapeau en place sur le régulateur puis serrez.

Conversion des brûleurs de la table de cuisson

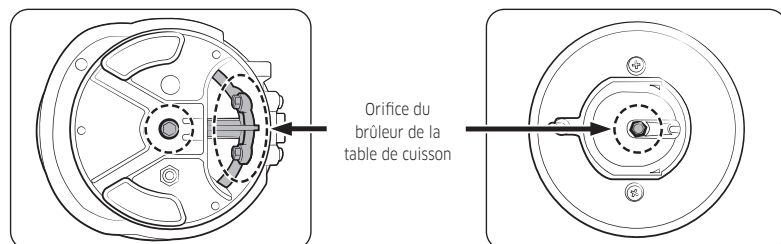
REMARQUE

lorsque vous utilisez du GPL pour alimenter votre table de cuisson, effectuez les étapes ci-dessous avant de régler la puissance des flammes.

1. Soulevez les chapeaux et les têtes de brûleur de la table de cuisson des coupelles de répartition des brûleurs de la table de cuisson.



2. À l'aide d'un tournevis à douille de $\frac{9}{32}$ " ou de 7 mm, retirez l'orifice du brûleur en bas de chaque coupelle de répartition.



REMARQUE

Conservez ces orifices et notez leurs positions pour une conversion ultérieure au gaz naturel.

3. Localisez les orifices de conversion au GPL fournis avec la table de cuisson.
4. Identifiez l'orifice approprié selon sa taille pour chacun des brûleurs de la table de cuisson.
5. Installez l'orifice approprié sur chaque coupelle de répartition des brûleurs et serrez avec un tournevis à douille de $\frac{9}{32}$ " ou 7 mm.

REMARQUE

Tout autre positionnement des orifices peut produire des conditions d'utilisation dangereuses et/ou de mauvais résultats de cuisson.

6. Placez toutes les têtes des brûleurs au-dessus des coupelles de répartition, à leur emplacement initial. Le trou sur le côté des têtes de brûleur se place face aux électrodes. Les têtes des brûleurs sont positionnées correctement si elles sont à plat sur le dessus des coupelles de répartition.
7. Placez tous les chapeaux des têtes de brûleurs. Ceux-ci sont également plats lorsqu'ils sont installés afin de garantir un fonctionnement sûr.

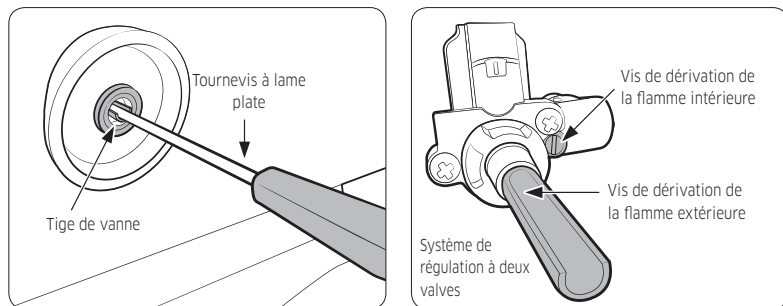
Consignes d'installation

Réglage de la flamme faible sur les brûleurs de la table de cuisson

Toutes les flammes du brûleur de la table de cuisson doivent être vérifiées à leur réglage le plus faible. Utilisez les étapes ci-dessous pour vérifier et régler les brûleurs de la table de cuisson.

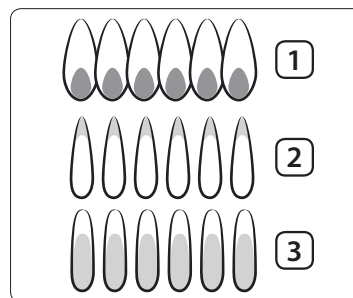
REMARQUES

- Le réglage faible doit toujours être effectué avec deux brûleurs ou plus en fonctionnement en même temps.
 - Appelez le service technique lorsque vous avez besoin de régler la flamme intérieure du brûleur central de la table de cuisson.
- Allumez deux brûleurs ou plus de la table de cuisson et réglez-les sur une puissance comprise entre MED (MOYENNE) et HI (ÉLEVÉE).
 - Tournez rapidement l'un des boutons en sens anti-horaire sur le réglage le plus faible. La flamme doit rester allumée. Si la flamme tremble ou s'éteint, ajustez la vanne de dérivation située sur la vanne de commande du brûleur correspondant.
 - Tirez tout droit le bouton de commande pour ce brûleur.
 - À l'aide d'un petit tournevis plat, ajustez la vis de la vanne de dérivation située à la base de la tige de la vanne. Tournez la vis de la vanne de dérivation dans le sens anti-horaire afin d'augmenter la taille de la flamme.



- Remettez en place le bouton de commande et vérifiez à nouveau le réglage de la flamme faible.
- Répétez les étapes 1 à 5 pour vérifier et régler la flamme faible sur les brûleurs restants de la table de cuisson.

Qualité de la flamme de combustion



- Des flammes bleu clair sont normales pour un fonctionnement au gaz naturel.
- Des pointes jaunes à l'extrémité des cônes sont normales pour un fonctionnement au GPL.
- Des flammes jaunes sont anormales pour un fonctionnement avec tous types de gaz. Un ajustement supplémentaire est nécessaire.

Vérification complémentaire de flamme faible

- Ouvrez et fermez rapidement la porte du meuble lorsque le brûleur de la table de cuisson est réglé sur LO (FAIBLE). Si la flamme s'éteint, augmentez le réglage de flamme faible et répétez le test jusqu'à ce que la flamme se stabilise.
- Tournez rapidement le bouton de HI (ÉLEVÉE) au réglage le plus faible. Si la flamme s'éteint avec le réglage le plus faible, augmentez le réglage de flamme faible et recommencez le test jusqu'à ce que la flamme se stabilise.

AVERTISSEMENT

- Ne retirez pas complètement la vis de pression de la vanne au niveau de la tige de vanne. La vis de pression de la vanne fait partie intégrante de l'ensemble de vanne de gaz. Si vous retirez la vis de pression de la vanne, vous provoquerez une fuite de gaz.
- Après avoir réglé la vis de pression de la vanne, inspectez l'ensemble à la recherche d'éventuelles fuites de gaz.

Notes

Notes

Notes



Cher client estimé,

Merci d'avoir acheté un appareil Dacor. Nous espérons que nos appareils décuplent votre passion pour la cuisine !

Dans ce coffret, nous vous fournissons un ensemble de chapeaux de brûleurs en laiton. Ces chapeaux ont pour but de conférer un style élégant à votre nouvel appareil Dacor. Ces chapeaux peuvent être utilisés pour cuisiner, mais veuillez noter avant qu'ils se décolorent à mesure que vous les utiliserez. Il s'agit d'une réaction naturelle du laiton lorsqu'il entre en contact avec les flammes de gaz. Nous avons également accompagné cet appareil d'un ensemble de capuchons de brûleurs en porcelaine noire pour le cas où la décoloration vous préoccuperait. La décoloration des chapeaux de brûleurs n'est pas couverte par notre garantie ; toutefois, il vous est possible de commander auprès de nous des chapeaux de brûleurs neufs si nécessaire.

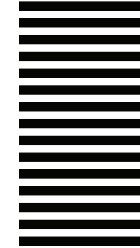
Nous espérons vraiment que votre appareil Dacor vous accompagnera tout au long de nombreuses années de cuisine passionnée. Si vous avez besoin de notre aide, veuillez prendre contact avec notre équipe au 833-35-ELITE (833-353-5483).

Cordialement,

L'équipe du service après-vente Dacor



NO POSTAGE
NECESSARY
IF MAILED
IN THE
UNITED STATES



DACOR
ATTN: WARRANTY PROCESSING DEPT
PO BOX 90070
CITY OF INDUSTRY, CA 91715-9907





Veuillez consulter le site Web www.Dacor.com pour activer votre garantie en ligne.
INFORMATIONS CONCERNANT LA GARANTIE

couper ici



IMPORTANT :

Votre garantie ne prendra effet que lorsque vous l'aurez activée en ligne ou lorsque vous aurez envoyé le formulaire à retourner à Dacor. Si vous avez acheté plusieurs produits Dacor, merci de bien vouloir retourner tous les formulaires dans une seule enveloppe ou d'activer la garantie en ligne de chacun de vos produits.

En aucun cas Dacor ne vendra en aucun cas votre nom ou toute information contenu dans le formulaire dans le but de les ajouter à des listes de diffusion électronique. Nous sommes ravis que vous ayez choisi les produits Dacor pour votre foyer et nous vous en remercions. Nous ne vendrons en aucun cas vos informations.

Nom du propriétaire :

Nom (en caractères d'imprimerie) _____ Bornes _____ Moyen _____

Rue : _____

Ville : _____ État : _____

Code postal : _____

Date d'achat : _____ E-mail : _____

Téléphone : _____

Revendeur : _____

Ville : _____ État : _____

Code postal : _____

Merci de bien vouloir prendre quelques secondes pour compléter la section ci-dessous. Merci.

1. Comment avez-vous connu les produits Dacor ? (Une seule réponse possible.)

- A. Télévision Émission culinaire
- B. Magazine
- C. Exposition chez un revendeur
- D. Exposition de cuisines chez un revendeur
- E. Salon de l'habitat
- F. Constructeur
- G. Architecte/Designer
- H. Un autre propriétaire Dacor
- I. Maison témoin
- J. Autre _____

2. Où avez-vous acheté vos appareils Dacor ?

- A. Revendeur
- B. Cuisiniste
- C. Entrepreneur d'un constructeur
- D. Constructeur
- E. Autre _____

couper ici

3. Pour quelle raison avez-vous acheté ce produit ?

- A. Remplacement *uniquement*
- B. Modernisation
- C. Déménagement
- D. Autre _____

4. Quel est le revenu annuel de votre foyer ?

- A. Moins de 75 000 \$
- B. Entre 75 000 \$ et 100 000 \$
- C. Entre 100 000 \$ et 150 000 \$
- D. Entre 150 000 \$ et 200 000 \$
- E. Entre 200 000 \$ et 250 000 \$
- F. Plus de 250 000 \$

5. Quelles sont les types d'appareils que vous possédez dans votre cuisine ?

- A. Table de cuisson _____
- B. Four _____
- C. Lave-vaisselle _____
- D. Réfrigérateur _____

6. Achèteriez-vous ou recommanderiez-vous un autre produit Dacor ?

- Oui
- Non

Remarques : _____

Merci beaucoup pour votre contribution. Les informations que vous nous avez fournies nous aideront pour les projets à venir et à vous apporter l'assistance que vous méritez.

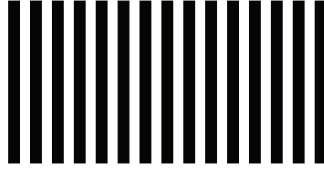
Placez l'étiquette portant le numéro de série ici

Site Web : www.Dacor.com

Téléphone : 833-35-ELITE (833-353-5483)



NO POSTAGE
NECESSARY
IF MAILED
IN THE
UNITED STATES



BUSINESS REPLY MAIL

FIRST-CLASS MAIL PERMIT NO 1600 CITY OF INDUSTRY CA

POSTAGE WILL BE PAID BY ADDRESSEE

DACOR
ATTN: WARRANTY PROCESSING DEPT
PO BOX 90070
CITY OF INDUSTRY, CA 91715-9907



fold here



DG68-01286A-00



Dacor • 14425 Clark Avenue, City of Industry, CA 91745
• Téléphone : 833-35-ELITE (833-353-5483) • Télécopie : (626) 403-3130 • www.dacor.com