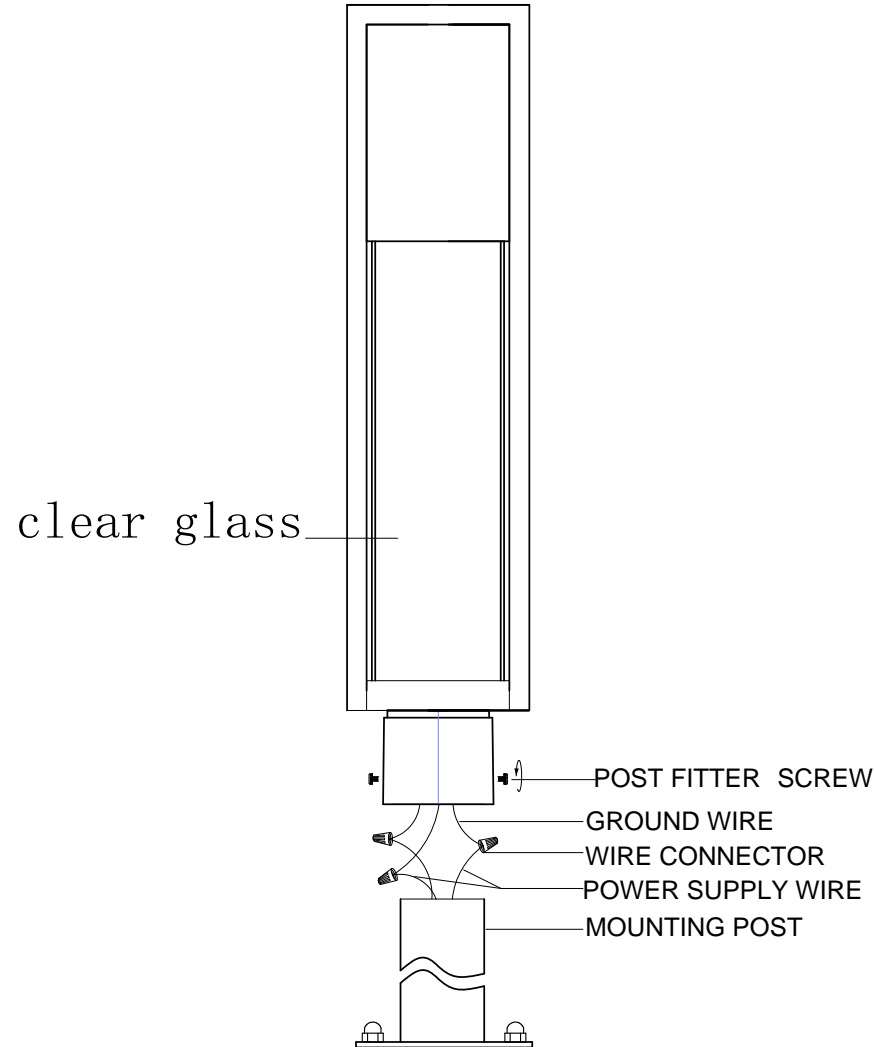


31615BK (3101B)
31617BK (3102B)



31619BK (3102P)

BULB INSTALLATION OR REPLACEMENT INSTRUCTIONS

1. REMOVE THE TOP COVER AFTER RELEASE THE SCREWS.
2. INSTALL BULBS.
3. REPLACE THE TOP COVER THEN TIGHTEN WITH SCREWS.

